

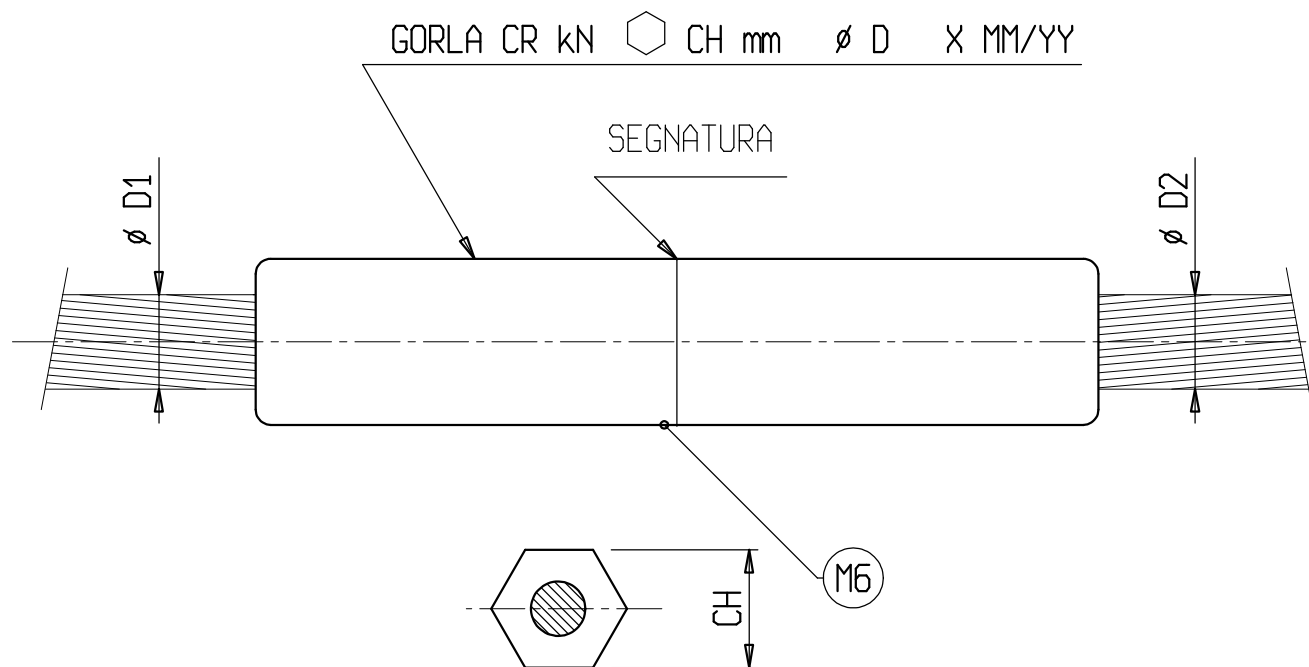
s.r.l. GORLA
MORSETTERIE
MILANO

TECHNICAL OFFICE

COMPRESSION JOINTS
FOR COPPER CONDUCTORS

DRG. N. AT08/X

Rev.8 dated 21.06.24



LS497020	LS497020BI	Cu - ETP UNI 5649		20,0	20,0
LS4970164	LS4970164BI	Cu - ETP UNI 5649		16,4	16,4
LS497016-20	LS497016-20B	Cu - ETP UNI 5649	57,1	16,0	20,0
LS497016	LS497016BI	Cu - ETP UNI 5649	57,1	16,0	16,0
LS49701575	LS49701575BI	Cu - ETP UNI 5649	55,9	15,75	15,75
LS 4970 Q	LS 4970 1BI	Cu - ETP UNI 5649	52,7	15,0	15,0
LS 4970147	LS 4970147BI	Cu - ETP UNI 5649	48,7	14,7	14,7
LS 4970164146	LS 4970164146BI	Cu - ETP UNI 5649		14,6	16,4
LS 4970 S	LS 4970 7BI	Cu - ETP UNI 5649	45,9	14,0	14,0
LS 4970 0	LS 4970 BIS	Cu - ETP UNI 5649	42,7	13,5	13,5
LS 4970133	LS 4970133BI	Cu - ETP UNI 5649	40,8	13,3	13,3
LS 4970 N	LS 4970 3BI	Cu - ETP UNI 5649	39,6	13,0	13,0
LS 4970 L	LS 4970 5BI	Cu - ETP UNI 5649	36,6	12,5	12,5
LS 4970 P	LS 4970 4BI	Cu - ETP UNI 5649	31,0	11,5	11,5
LS 4970 M	LS 4970 2BI	Cu - ETP UNI 5649	25,8	10,5	10,5
LS 4970 R	LS 4970 6BI	Cu - ETP UNI 5649	24,3	10,2	10,2
LS 4970 9	LS 4970 9BI	Cu - ETP UNI 5649	17,5	9,0	9,0
X	(M6)	MATERIAL	CR [kN]	$\phi D1$	$\phi D2$

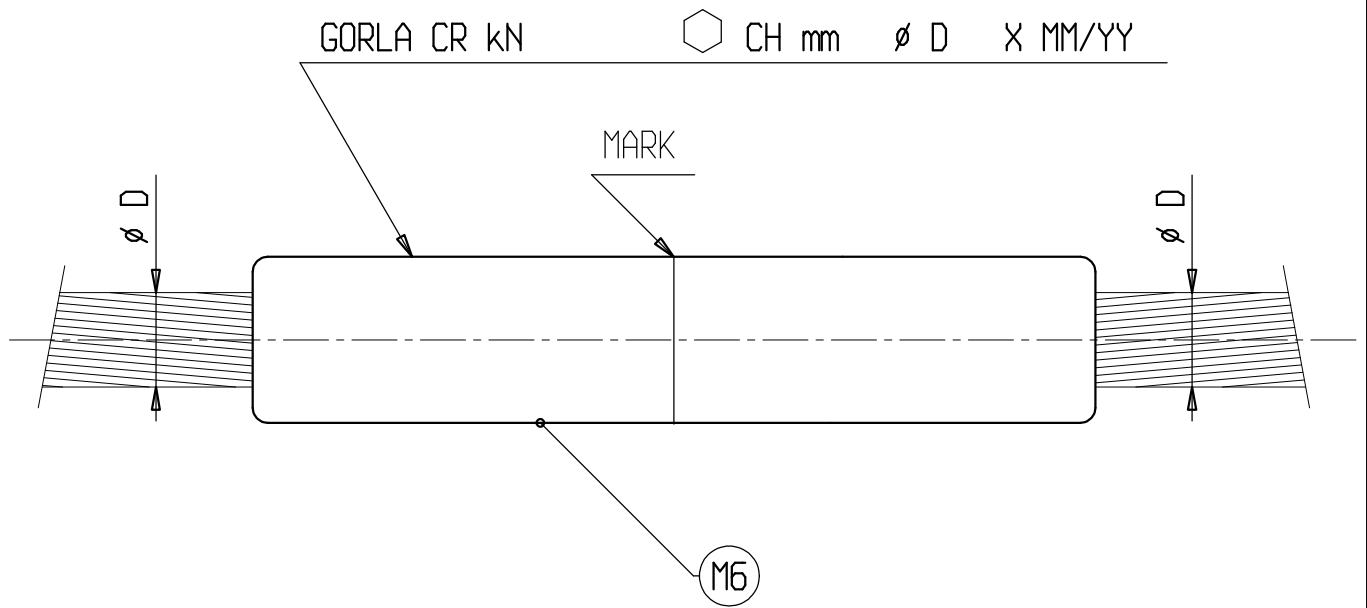
s.r.l. GORLA
MORSETTERIE
MILANO

TECHNICAL OFFICE

COMPRESSION JOINTS
FOR COPPERWELD CONDUCTORS

DRG. N. AT08C/X

Rev.1 dated 27.02.14



LS 3800-80	LS 3800 80BI	Cu - ETP UNI 5649	24.1	99.97	12.94
LS 3800-70	LS 3800 70BI	Cu - ETP UNI 5649	14.1	58.57	9.79
LS 3800-16	LS 3800 16BI	Cu - ETP UNI 5649	4.00	15.78	5.58
LS 3800-10	LS 3800 10BI	Cu - ETP UNI 5649	2.50	9.92	4.42
X	(M6)	MATERIAL	RTS [kN]	Sect. [mm ²]	ø D