

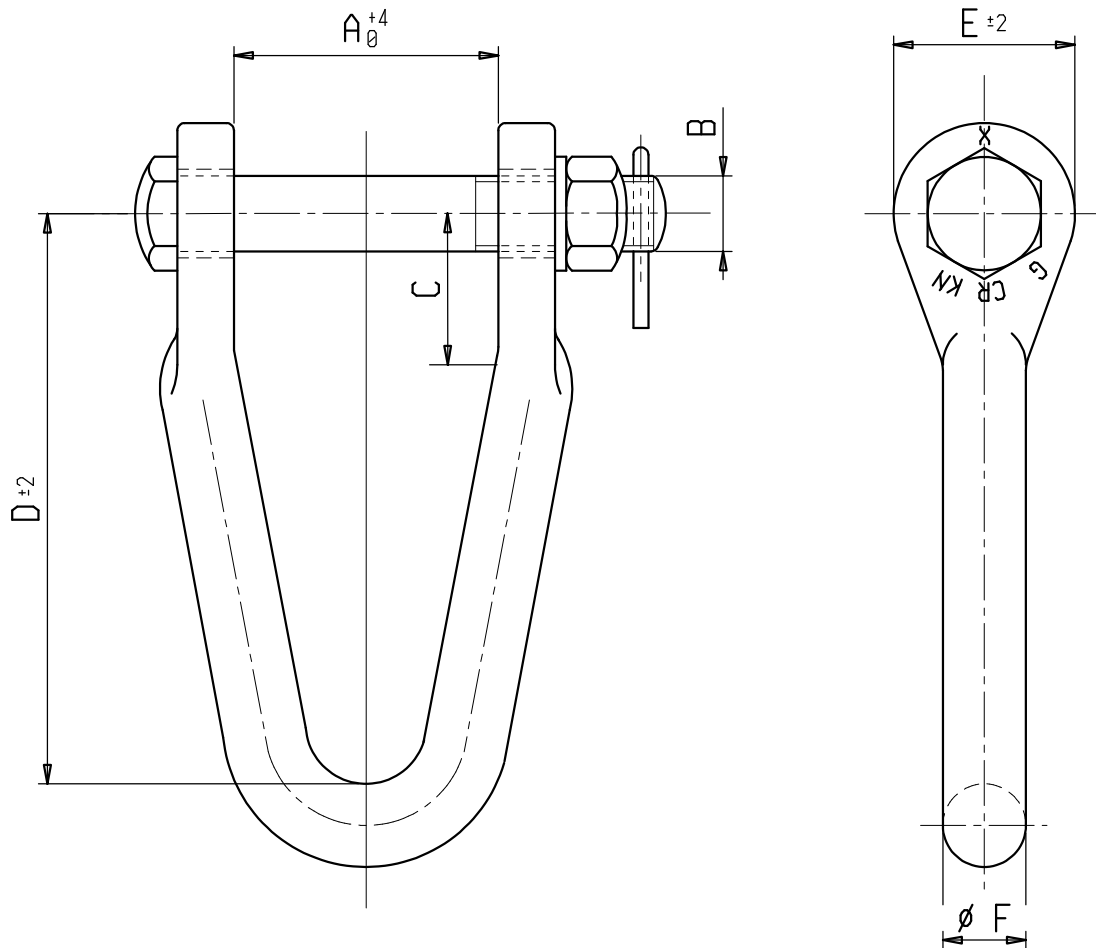
s.r.l. GORLA
MORSETTERIE
MILANO

"V" STRAIN SHACKLES

DRG. N. AT22/X

Rev.2 dated 14.09.17

TECHNICAL OFFICE



Material: Hot dip galvanized steel. Stainless steel pin

| X | A | B | C | D | E | F | CR [kN] | |
|--------------|-----|------|----|-----|----|----|---------|--|
| LS 162116 | 68 | M 16 | 25 | 135 | 48 | 16 | 120 | |
| LS 1621100 | 70 | M 16 | 40 | 100 | 45 | 20 | 120 | |
| LS 16211680 | 80 | M 16 | 25 | 135 | 45 | 16 | 120 | |
| LS 16212016 | 80 | M 16 | 40 | 135 | 48 | 20 | 120 | |
| LS 162112216 | 122 | M 16 | 30 | 150 | 45 | 16 | 120 | |
| LS 162112220 | 122 | M 16 | 40 | 150 | 48 | 20 | 120 | |
| LS 16211618 | 70 | M 18 | 25 | 135 | 45 | 16 | 120 | |
| LS 162118 | 80 | M 18 | 40 | 135 | 48 | 22 | 120 | |
| LS 162170 | 70 | M 20 | 40 | 135 | 48 | 22 | 120 | |
| LS 1621 | 80 | M 20 | 40 | 135 | 48 | 22 | 120 | |
| LS 1621M22 | 104 | M 22 | 45 | 135 | 48 | 22 | 210 | |
| LS 162114527 | 145 | M 27 | 70 | 220 | 56 | 24 | 210 | |