

s.r.l. GORLA
MORSETTERIE
MILANO

OSCILLATING PIVOT

DIRG N. LS 705

SCALE

DRAWN

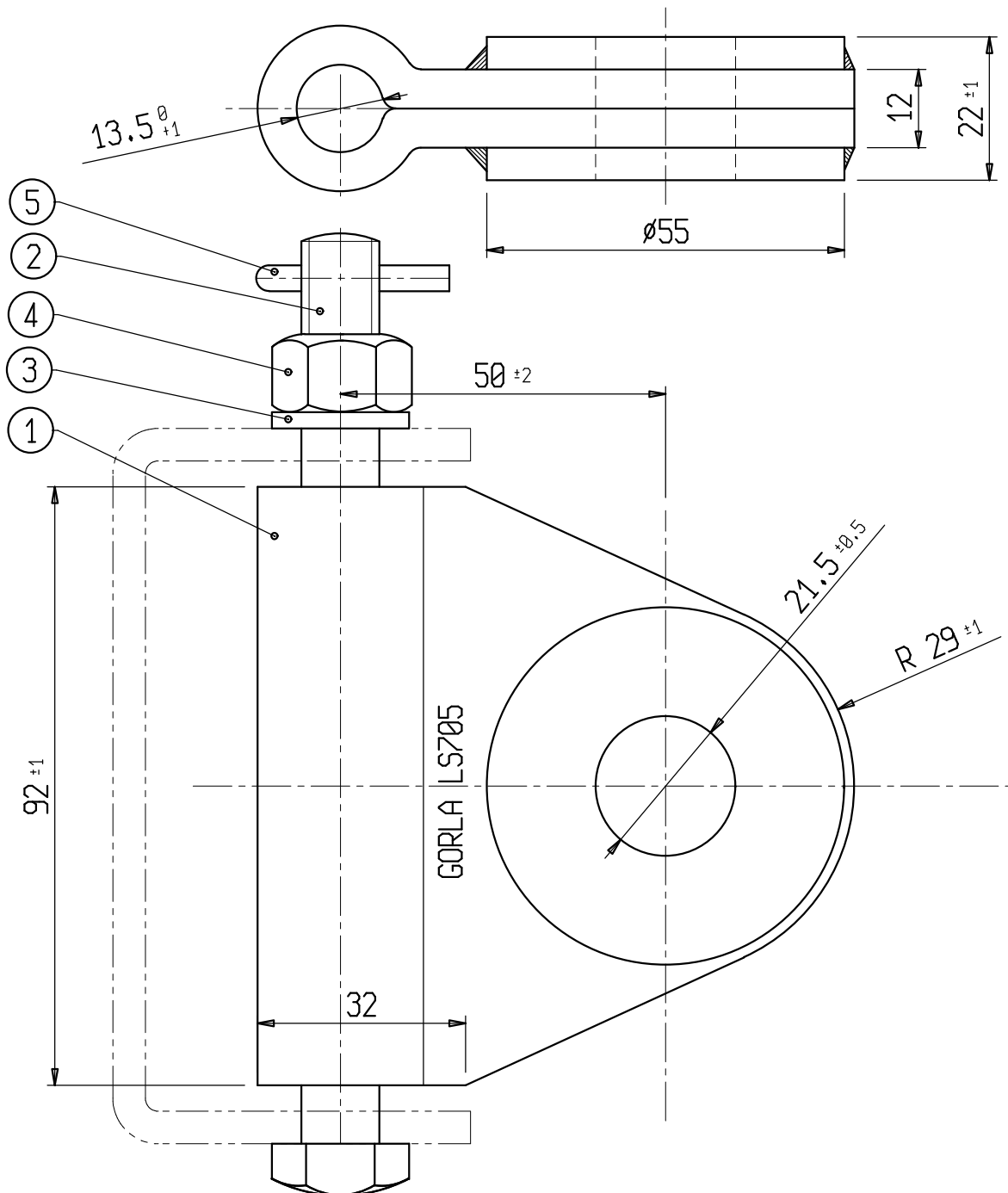
DATE

APPROVED

DATE

TECHNICAL OFFICE

N.	DATE	UPDATES	DRAWN	APPROVED



5	PIN A4x36	802	1	STAINLESS STEEL	
4	HEX. NUT M12R	3288	2	STAINLESS STEEL	
3	WASHER A13	787	1	ACCIAIO	HOT DIP GALV.D (ISO 1761)
2	HEX. BOLT M12 x 145	772	1	STAINLESS STEEL	
1	PIVOT	LS 705 BIS	1	STEEL	HOT DIP GALV.D (ISO 1761)
ITEM	DESCRIPTION	N° DRG.	N° PCS.	MATERIAL	NOTE

s.r.l. GORLA
MORSETTERIE
MILANO

TECHNICAL OFFICE

OSCILLATING PIVOT
R = 210 KN

DIRG N. LS 1225

SCALE

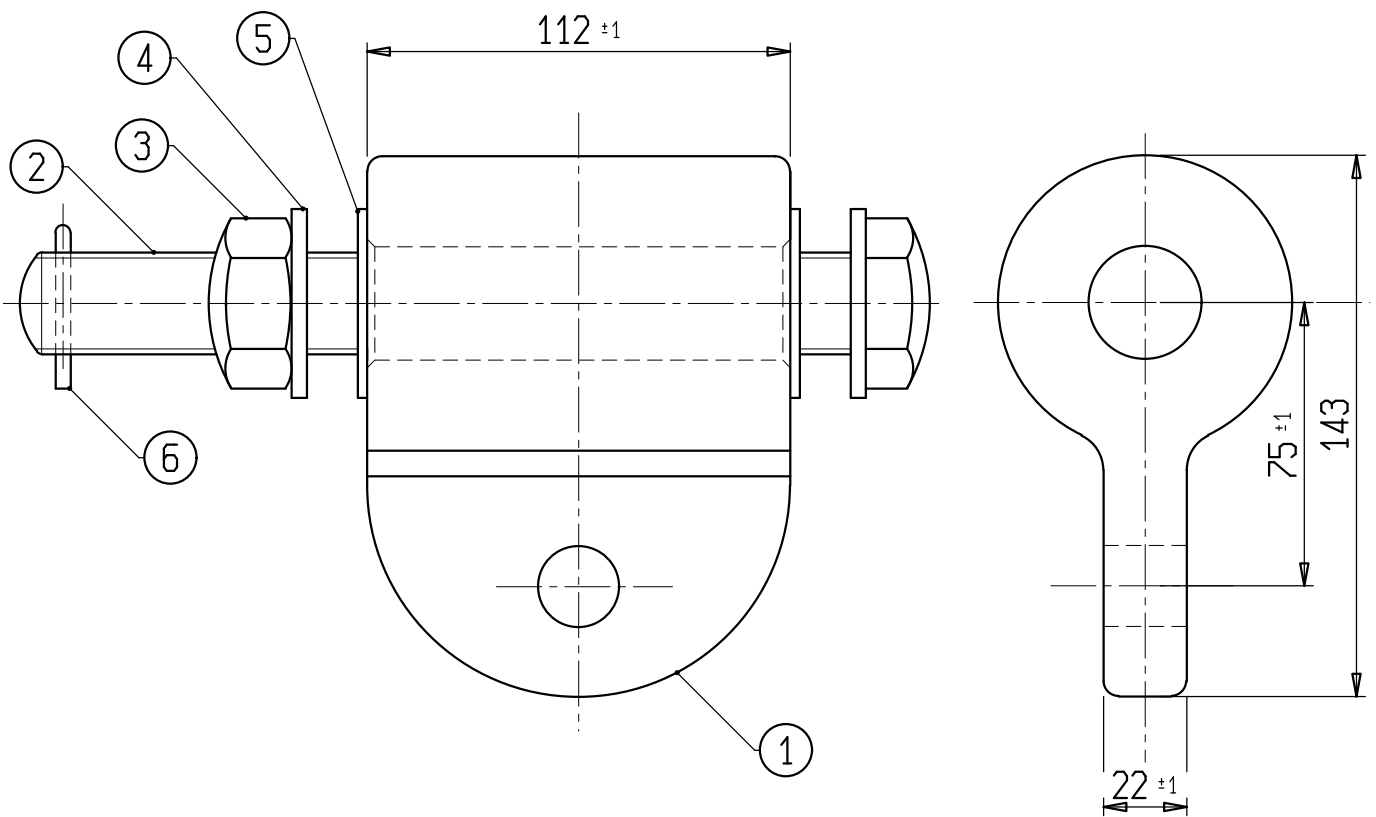
DRAWN

DATE

APPROVED

DATE

N.	DATE	UPDATES	DRAWN	APPROVED



6	PIN A4x36	802	1	STAINLESS STEEL	
5	WASHER 30x50 TH.2.5	5895	2	STEEL	HOT DIP GALV.D (ISO 1461)
4	WASHER 30x50 TH.4	5896	2	STEEL	HOT DIP GALV.D (ISO 1461)
3	HEX. NUT M27	5897	1	STEEL	HOT DIP GALV.D (ISO 1461)
2	HEX. BOLT M27x220	1227	1	STEEL	HOT DIP GALV.D (ISO 1461)
1	PIVOT	LS 1225 bis	1	STEEL	HOT DIP GALV.D (ISO 1461)
ITEM	DESCRIPTION	N° DRG.	N° PCS.	MATERIAL	NOTE