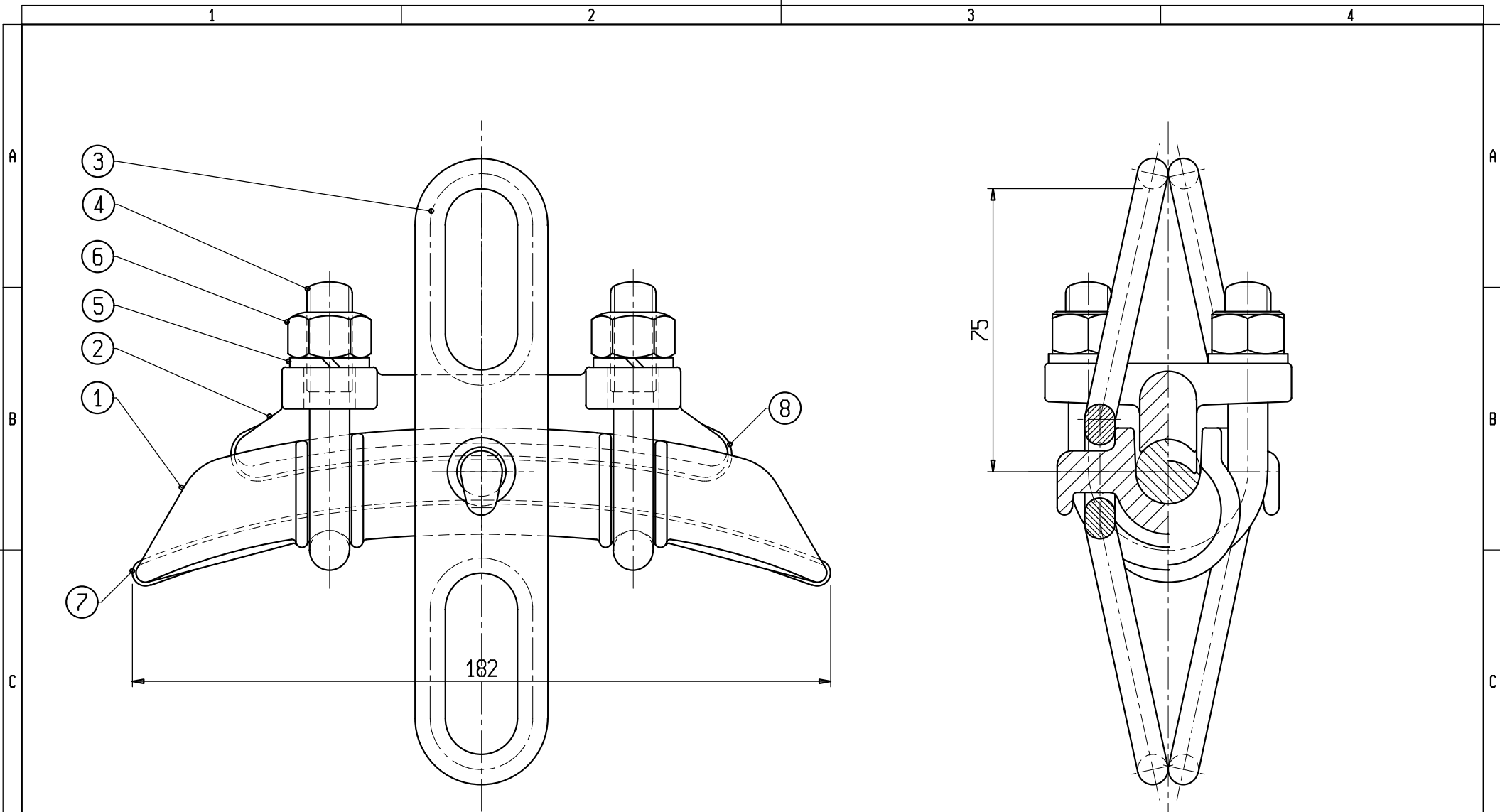


6	NUT M12	3288	4	STAINLESS STEEL	
5	SPRING WASHER A 12	4430	4	STAINLESS STEEL	
4	U-BOLT M12x82	4383	2	STEEL	HOT DIP GALV.D (ISO 1461)
3	SHACKLE	LS 6378	2	STEEL	HOT DIP GALV.D (ISO 1461)
2	KEEPER	LS 3107 AC	1	STEEL	HOT DIP GALV.D (ISO 1461)
1	CLAMP	LS 4540 ABI	1	STEEL	HOT DIP GALV.D (ISO 1461)
ITEM	DESCRIPTION	N° DRG.	N° PCS.	MATERIAL	NOTE

N.	DATE	UPDATES	DRAWN	APPROVED
s.r.l. GORLA MORSETTERIE MILANO TECHNICAL OFFICE			SUSPENSION CLAMP WITH COUNTERWEIGHT ATTACHMENT FOR COND. Cu Ø10 - 16mm	
			SCALA	
			DRAWN	DATE
			APPROVED	DATE
			DRG. N. LS 4540ACC	



8	KEEPER LINER	6044CU	1	COPPER	
7	CLAMP LINER	6043CU	1	COPPER	
6	NUT M12	3288	4	STAINLESS STEEL	
5	SPRING WASHER A 12	4430	4	STAINLESS STEEL	
4	U-BOLT M12x82	4383	2	STEEL	HOT DIP GALV.D (ISO 1461)
3	SHACKLE	LS 6378	2	STEEL	HOT DIP GALV.D (ISO 1461)
2	KEEPER	LS 3107 AC	1	STEEL	HOT DIP GALV.D (ISO 1461)
1	CLAMP	LS 4540 ABI	1	STEEL	HOT DIP GALV.D (ISO 1461)
ITEM	DESCRIPTION	N° DRG.	N° PCS.	MATERIAL	NOTE

N.	DATE	UPDATES	DRAWN	APPROVED
s.r.l. GORLA MORSETTERIE MILANO TECHNICAL OFFICE			SUSPENSION CLAMP WITH LINERS AND COUNTERWEIGHT ATTACHMENT FOR COND. Cu Ø10 - 16mm	
			SCALA DRAWN DATE APPROVED DATE DRG. N. LS 4540AGC	