

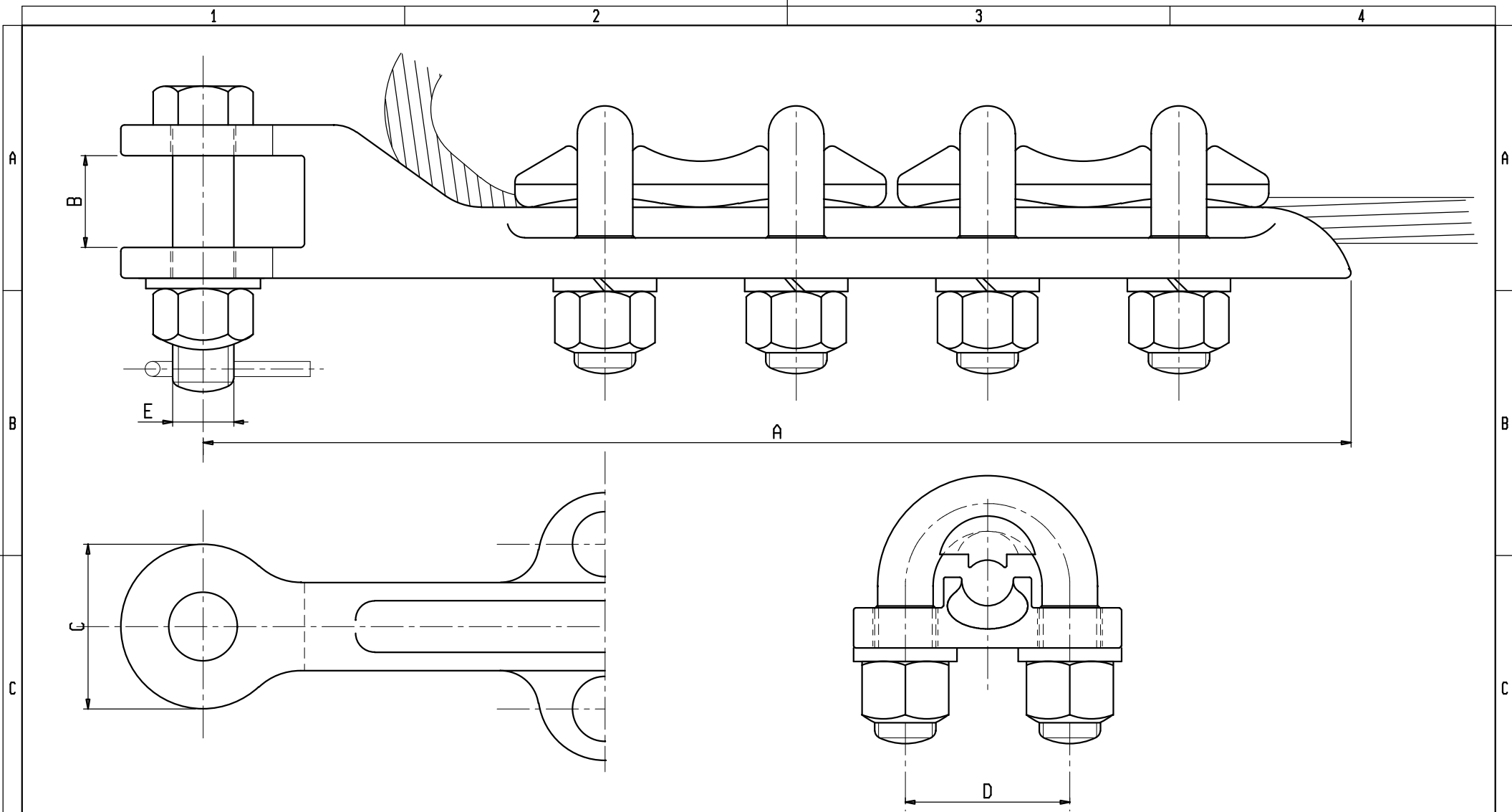
Material: Hot dip galvanized steel.

X	A	B	C	D	E	F	①	CR [kN]
LS 2800M	300	22	-	43	-	-	-	100
LS 2800M90	300	22	90	43	40	M16	LS3878	100
LS 2800MDI	300	22	65	43	35	M16	LS1805	100

s.r.l. GORLA  
 MORSETTERIE  
 MILANO  
 TECHNICAL OFFICE

TENSION CLAMPS  
 FOR GROUND WIRES  
 $\varnothing 7 - 13 \text{ mm}$

SCALE	
DRAWN	DATE
APPROVED	DATE
DRG. N. AT43/M/X	



Material: Hot dip galvanized steel.

X	A	B	C	D	E	CR [kN]
LS 2800	300	24	43	43	M16	100

s.r.l. GORLA  
 MORSETTERIE  
 MILANO  
 TECHNICAL OFFICE

TENSION CLAMPS  
 WITH CLEVIS ATTACHMENT  
 FOR GROUND WIRES  
 $\phi$  7 - 13 mm

SCALE	
DRAWN	DATE
APPROVED	DATE
DRG. N. AT43/F/X	