

s.r.l. GORLA  
MORSETTERIE  
MILANO

SERVICE YOKE

DIRG N. LS 1259

SCALE

DRAWN

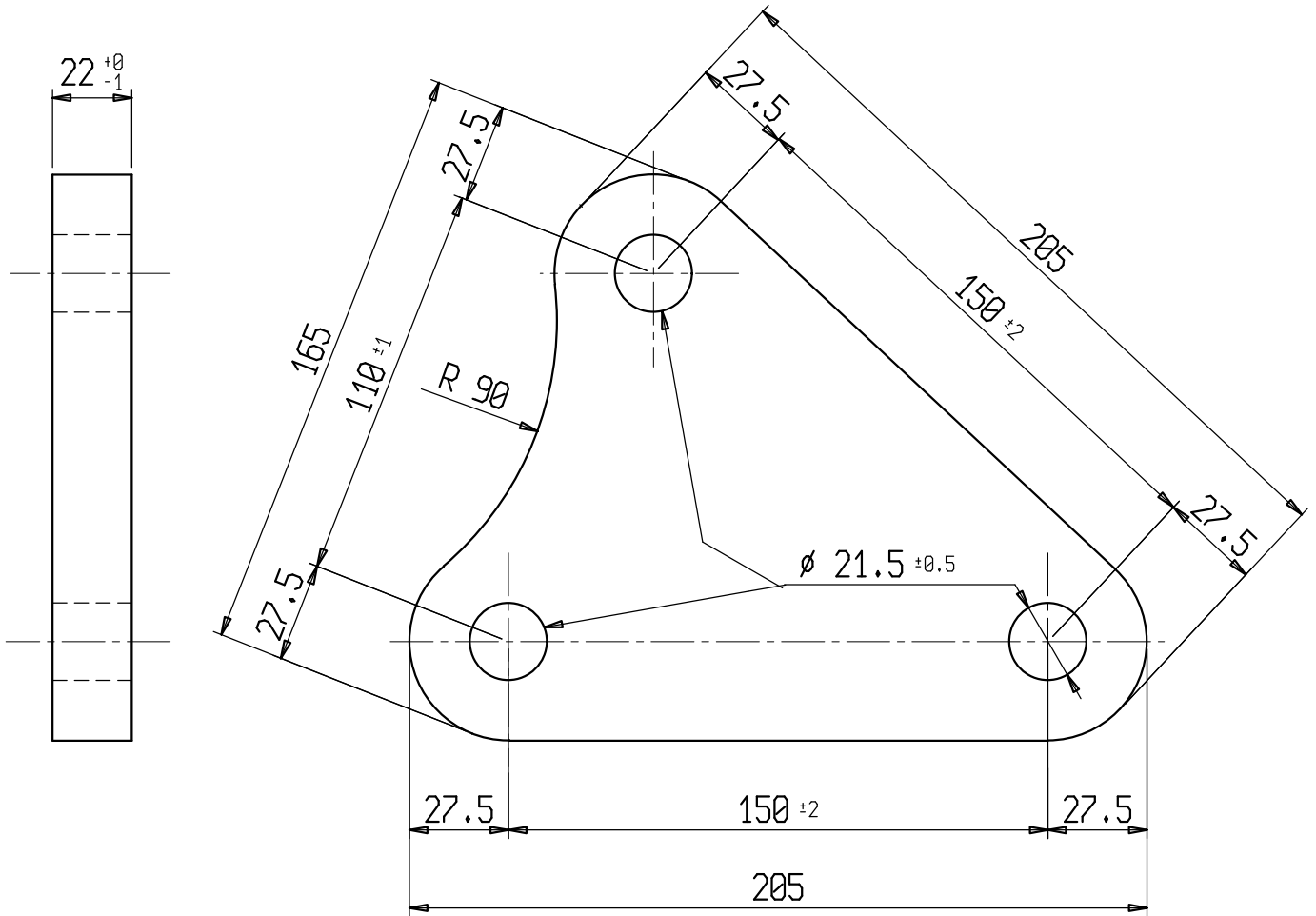
DATE

APPROVED

DATE

TECHNICAL OFFICE

N.	DATE	UPDATES	DRAWN	APPROVED



1	YOKE (BODY)	LS 1259 BIS	1	STEEL	HOT DIP GALV.D (ISO 1461)
ITEM	DESCRIPTION	N° DRG.	N° PCS.	MATERIAL	NOTE



s.r.l. GORLA  
MORSETTERIE  
MILANO

TECHNICAL OFFICE

"U" YOKE

DIRG N. X

SCALE

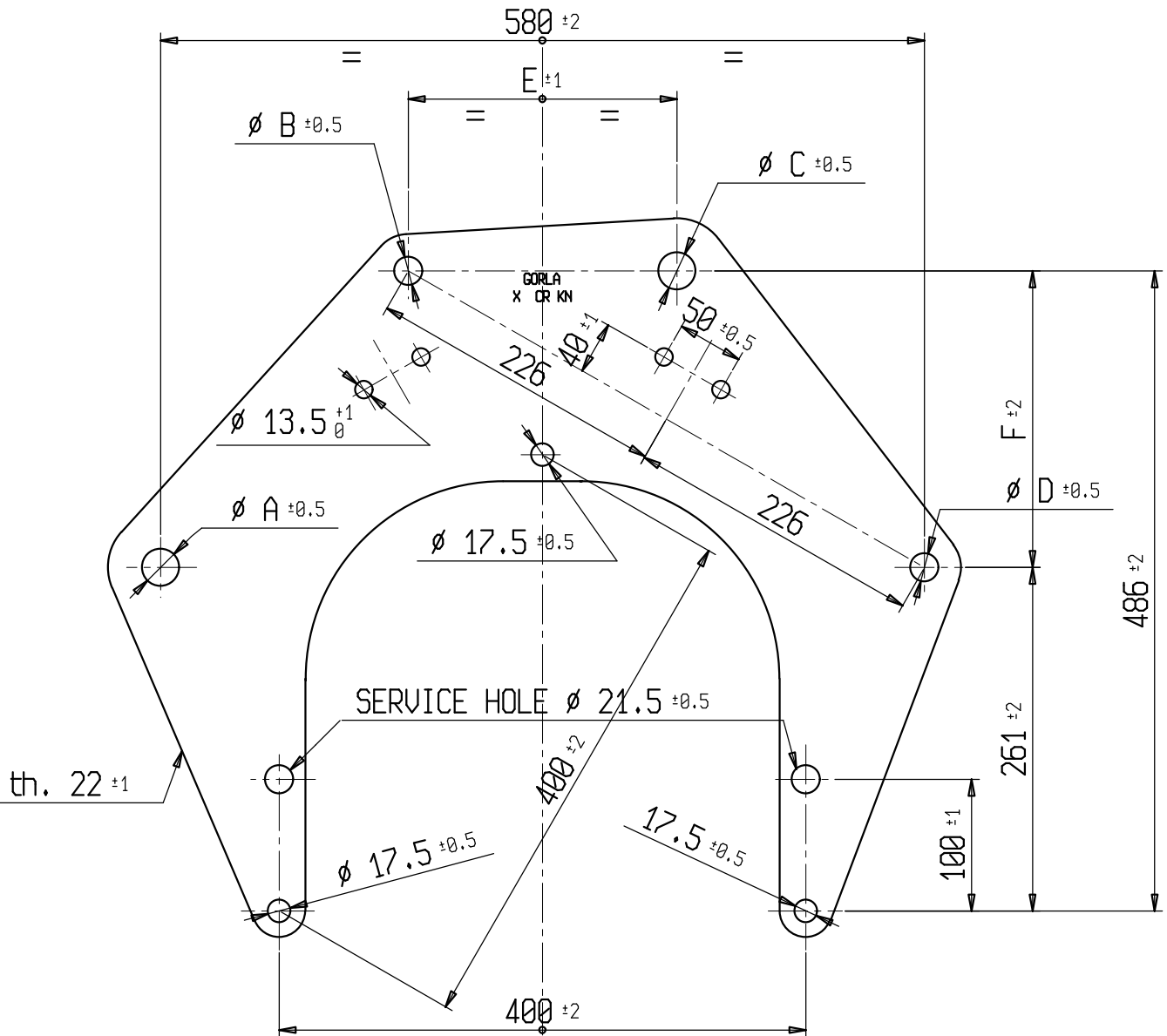
DRAWN

DATE

APPROVED

DATE

N.	DATE	UPDATES	DRAWN	APPROVED



X	A	B	C	D	E	F	CR [kN]
LS 1161	28.5	21.5	28.5	21.5	204	225	210
LS 1167	-	21.5	21.5	-	238	190	210
LS 1260	28.5	28.5	28.5	21.5	204	225	360

1	YOKE (BODY)	X BIS	1	STEEL	HOT DIP GALV.D (ISO 1461)
ITEM	DESCRIPTION	N° DRG.	N° PCS.	MATERIAL	NOTE

s.r.l. GORLA  
MORSETTERIE  
MILANO

COUNTERWEIGHT YOKE

DIRG N. LS 6727

SCALE

DRAWN

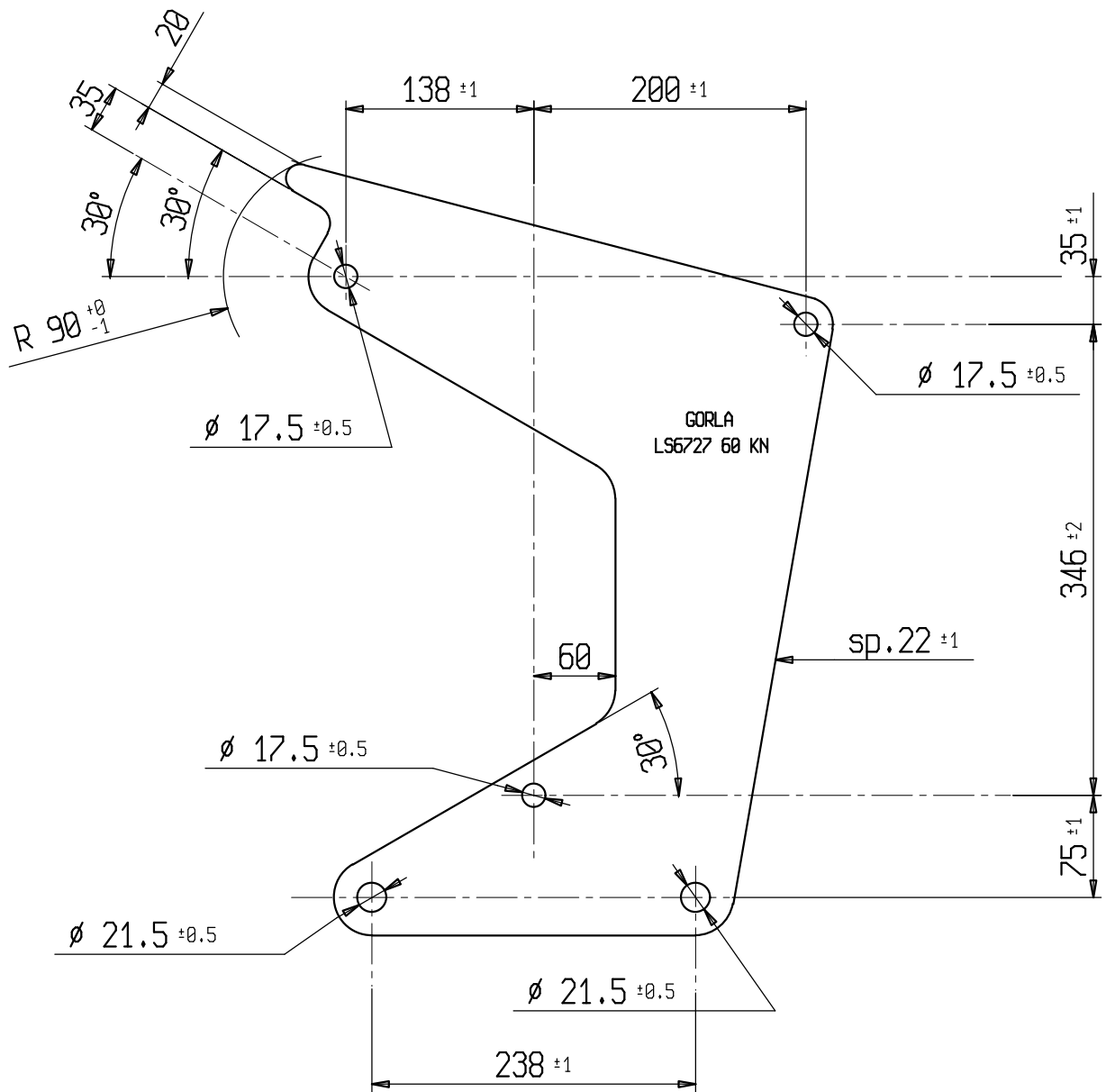
DATE

APPROVED

DATE

TECHNICAL OFFICE

N.	DATE	UPDATES	DRAWN	APPROVED



1	YOKE (BODY)	LS 6727 BIS	1	STEEL	HOT DIP GALV.D (ISO 1461)
ITEM	DESCRIPTION	N° DRG.	N° PCS.	MATERIAL	NOTE

s.r.l. GORLA  
MORSETTERIE  
MILANO

TECHNICAL OFFICE

JUMPER YOKE

DIRG N. LS 6728

SCALE

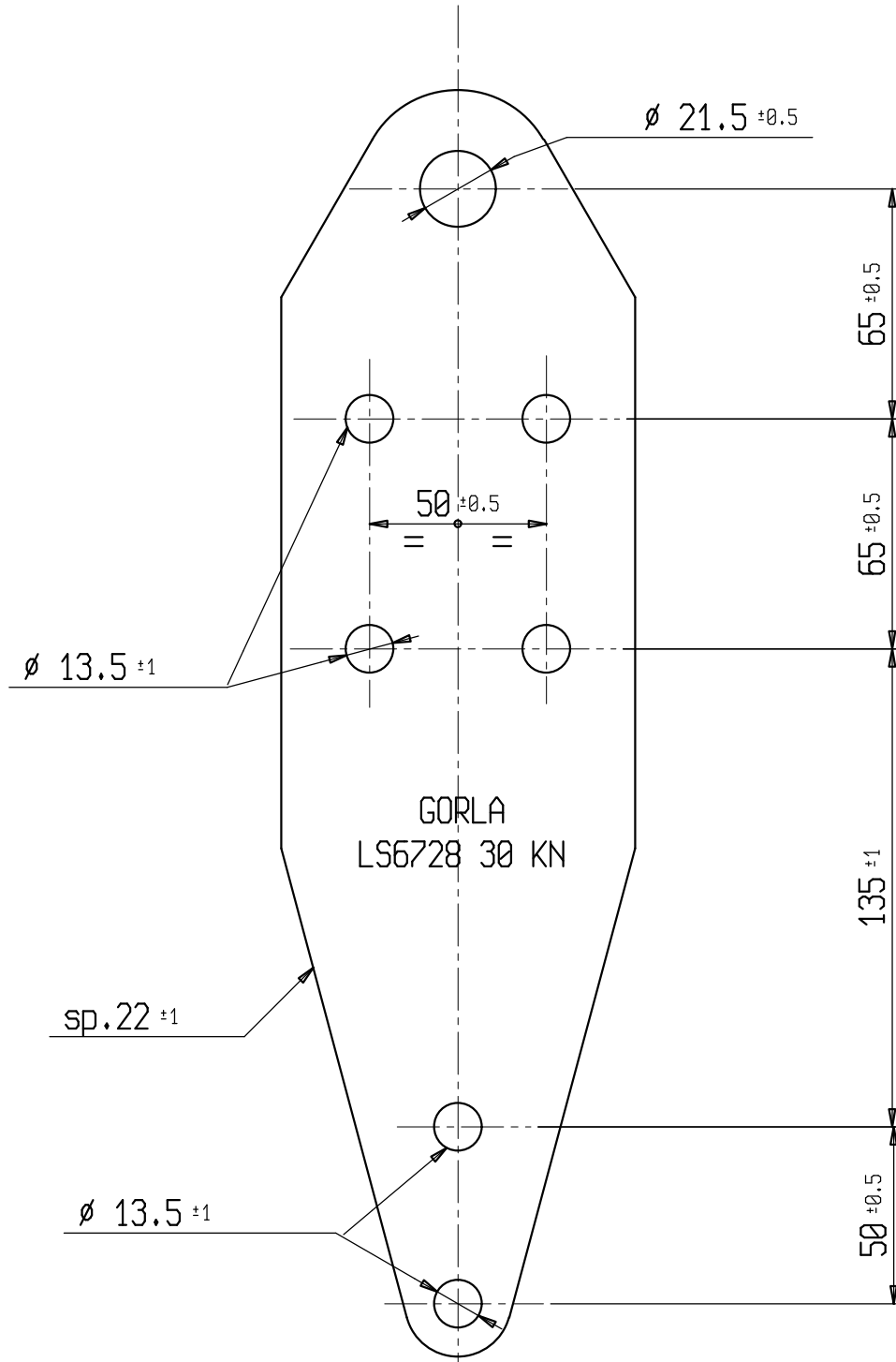
DRAWN

DATE

APPROVED

DATE

N.	DATE	UPDATES	DRAWN	APPROVED



1	YOKE (BODY)	LS 6728 BIS	1	STEEL	HOT DIP GALV.D (ISO 1461)
ITEM	DESCRIPTION	N° DRG.	N° PCS.	MATERIAL	NOTE

s.r.l. GORLA  
MORSETTERIE  
MILANO

TECHNICAL OFFICE

JUMPER YOKE

DIRG N. X

SCALE

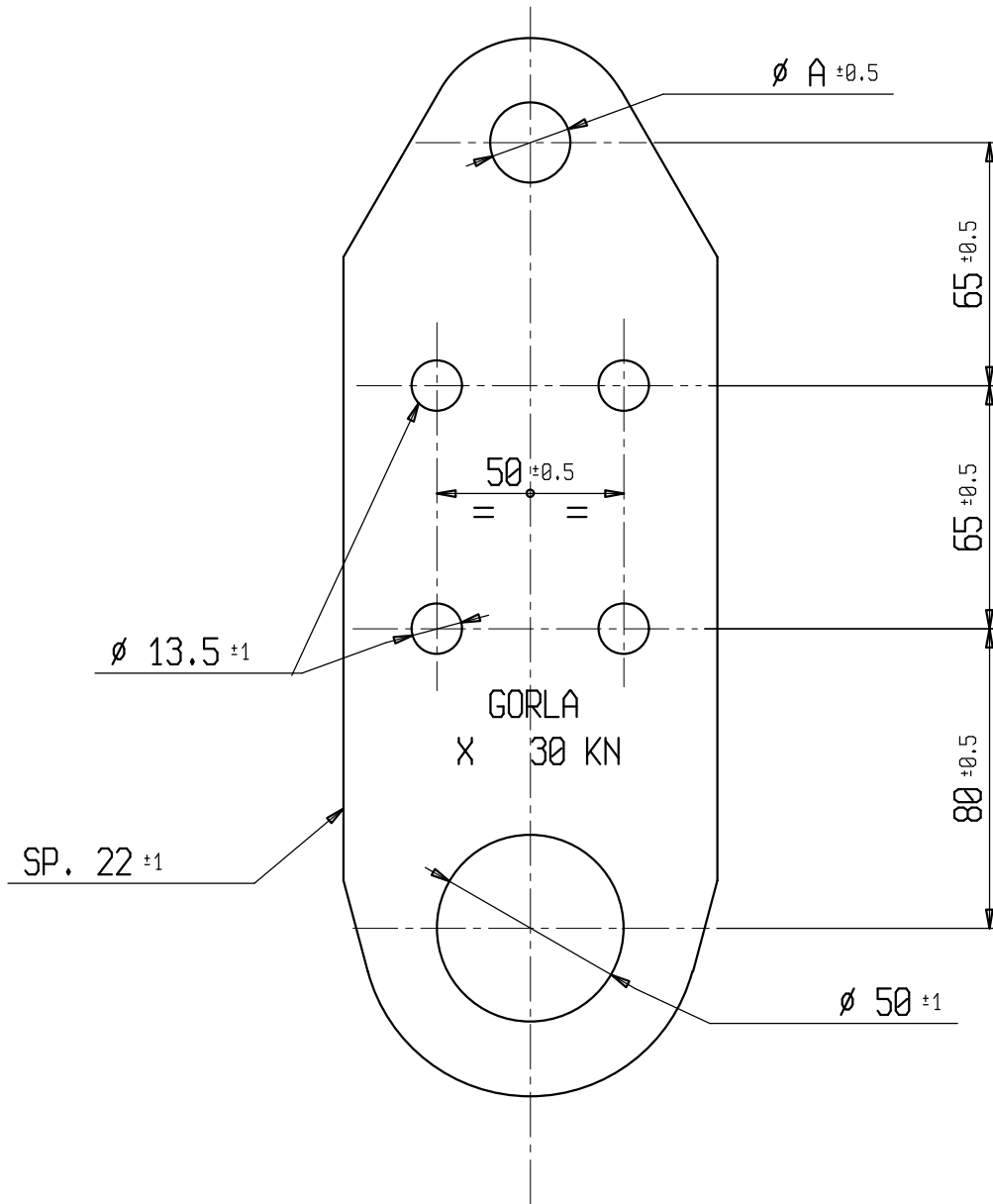
DRAWN

DATE

APPROVED

DATE

N.	DATE	UPDATES	DRAWN	APPROVED



X	A
LS 6729 1	17.5
LS 6729	21.5

1	YOKE (BODY)	X BIS	1	STEEL	HOT DIP GALV.D (ISO 1461)
ITEM	DESCRIPTION	N° DRG.	N° PCS.	MATERIAL	NOTE

s.r.l. GORLA  
MORSETTERIE  
MILANO

TECHNICAL OFFICE

YOKE  
FOR INSULATING BRACKET

DIRG N. LS 1125

SCALE

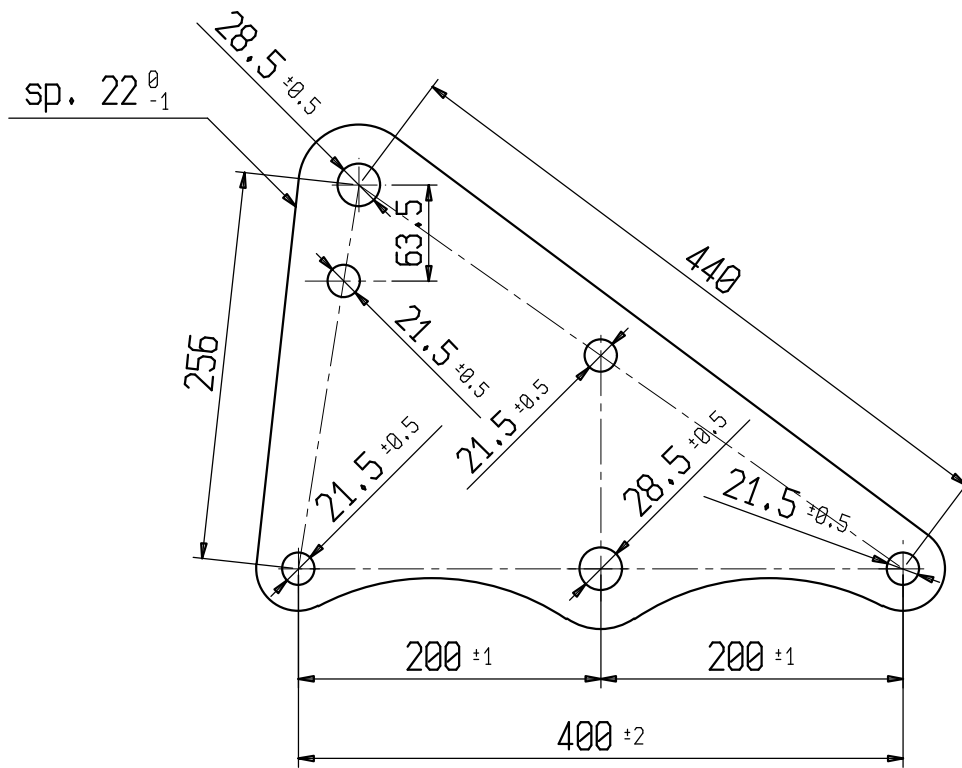
DRAWN

DATE

APPROVED

DATE

N.	DATE	UPDATES	DRAWN	APPROVED



1	YOKE (BODY)	LS 1125 BIS	1	STEEL	HOT DIP GALV.D (ISO 1461)
ITEM	DESCRIPTION	N° DRG.	N° PCS.	MATERIAL	NOTE

s.r.l. GORLA  
MORSETTERIE  
MILANO

TECHNICAL OFFICE

QUADRANGULAR YOKE

BREAKING LOAD 360 kN

DIS. N. LS 0587

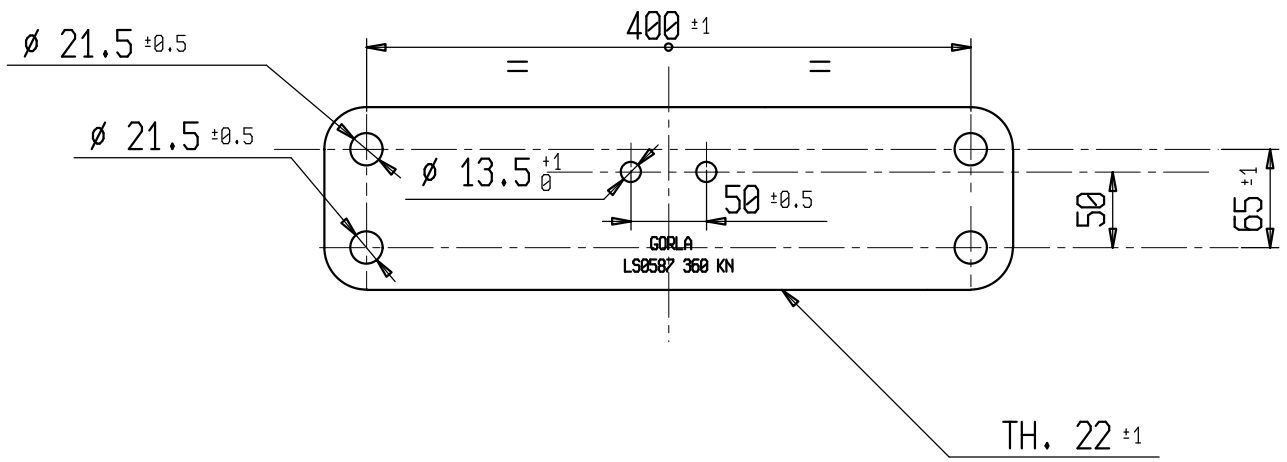
SCALE

DRAWN

DATE

APPROVED

N.	DATE	UPDATES	DRAWN	APPROVED



1	YOKE (BODY)	LS 0587 BIS	1	STEEL	HOT DIP GAL.D (ISO 1461)
ITEM	DESCRIPTION	N° DRG.	N° PCS.	MATERIAL	NOTE



s.r.l. GORLA  
MORSETTERIE  
MILANO

QUADRANGULAR YOKE

DIRG N. LS 6911

SCALE

DRAWN

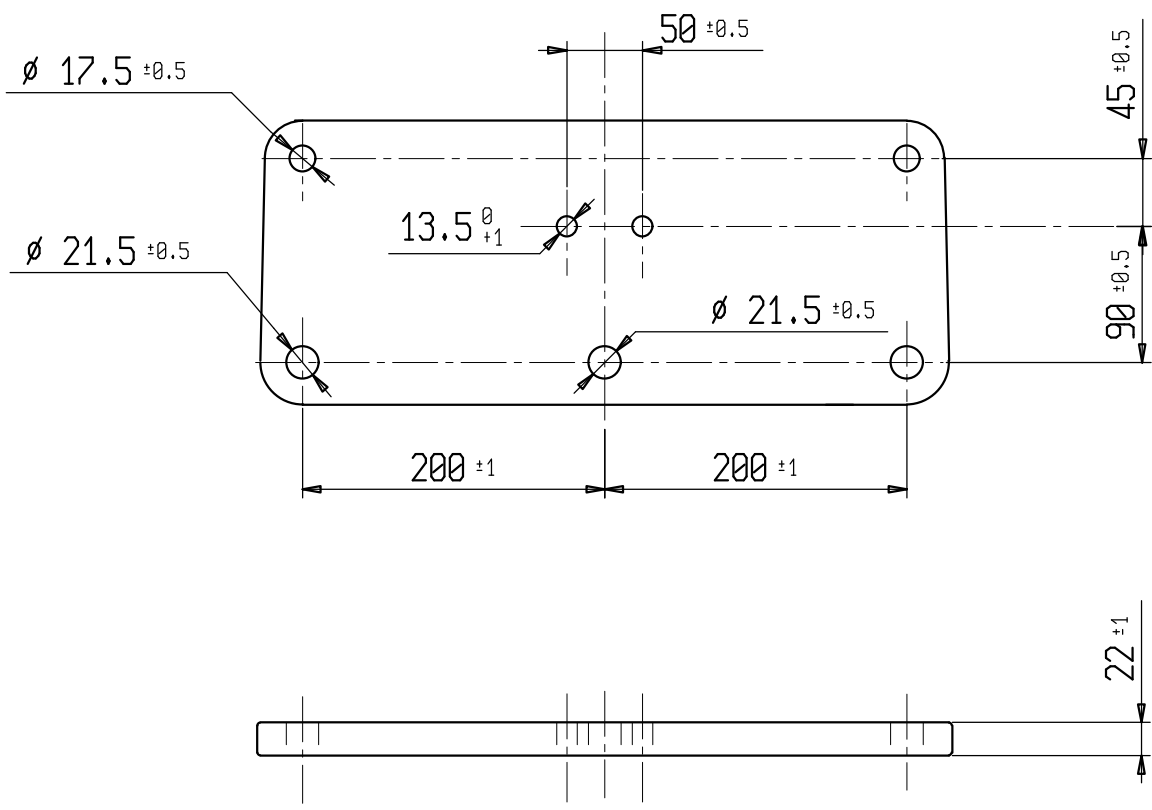
DATE

APPROVED

DATE

TECHNICAL OFFICE

N.	DATE	UPDATES	DRAWN	APPROVED



1	YOKE (BODY)	LS 6911 BIS	1	STEEL	HOT DIP GALV.D (ISO 1461)
ITEM	DESCRIPTION	N° DRG.	N° PCS.	MATERIAL	NOTE

s.r.l. GORLA  
MORSETTERIE  
MILANO

YOKE  
R = 210 KN

DIRG N. LS 1175

SCALE

DRAWN

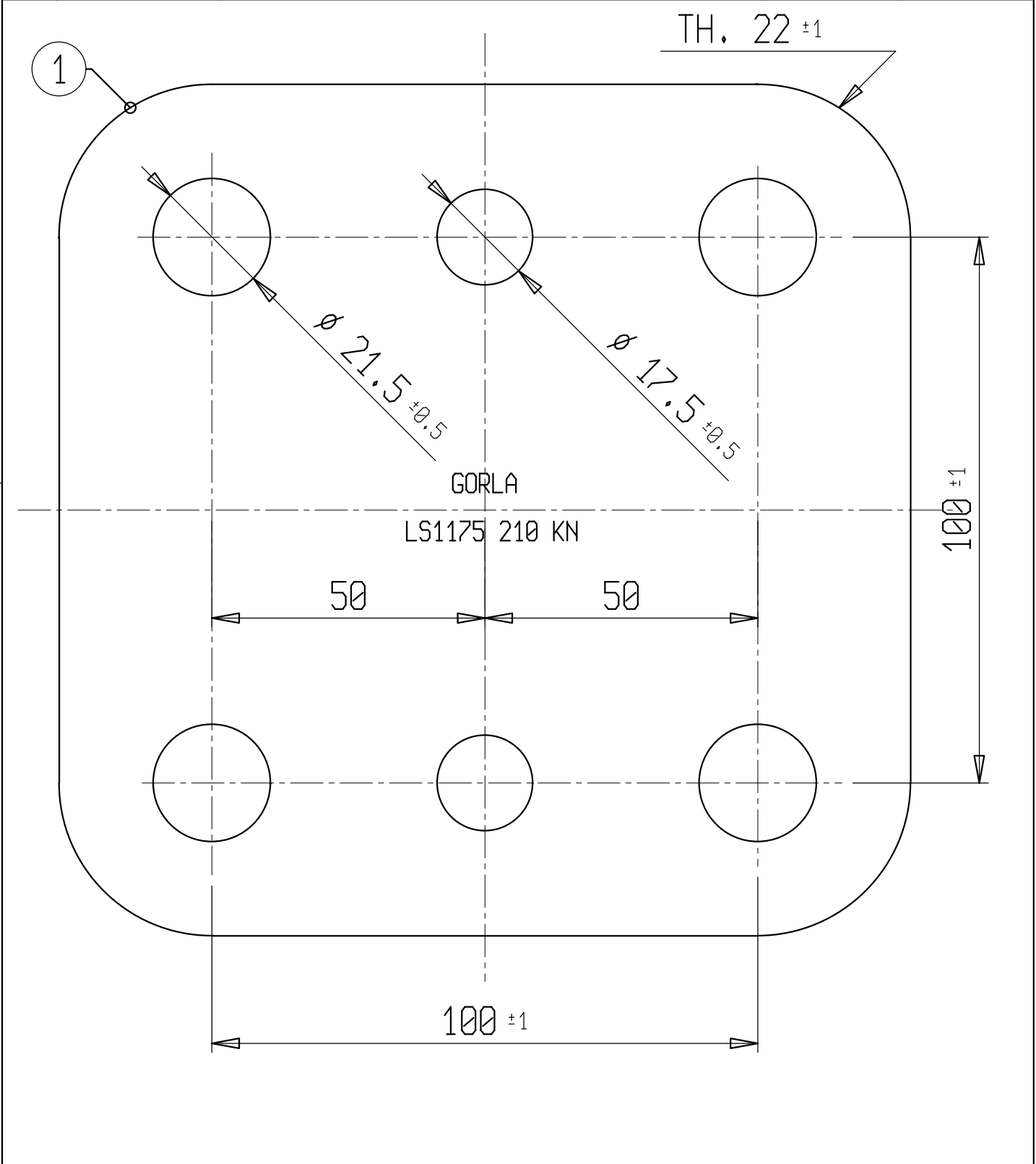
DATE

APPROVED

DATE

TECHNICAL OFFICE

N.	DATE	UPDATES	DRAWN	APPROVED



1	YOKE (BODY)	LS 1805 bis	1	STEEL	HOT DIP GALV.D (ISO 1461)
ITEM	DESCRIPTION	N° DRG.	N° PCS.	MATERIAL	NOTE