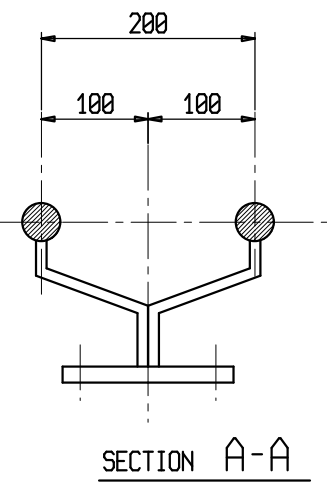
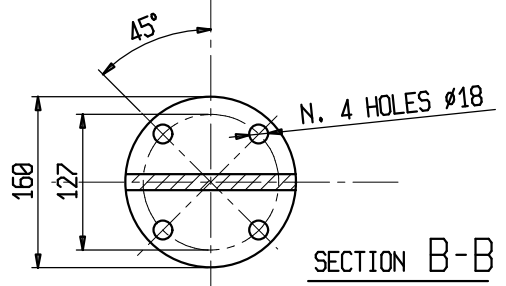
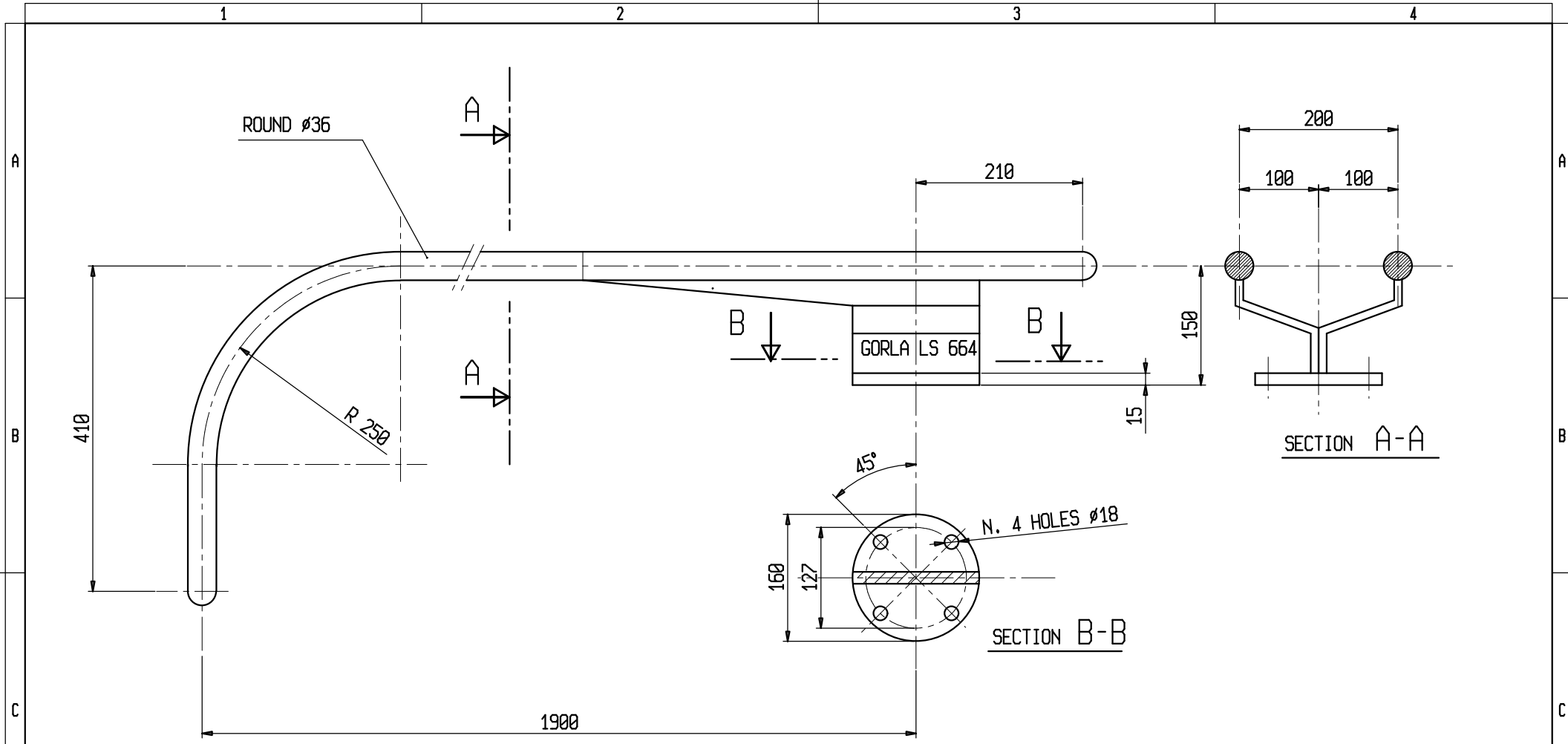


DATE		MODIFICATIONS		DRAWER		APPROVED	
s.r.l. GORLA				GUIDE AND SUPPORT			
MORSETTERIE				DEVICE			
MILANO				SCALE			
TECHNICAL OFFICE				DRAWER		DATE	
				APPROVED		DATE	
				DRW. N. LS 663			

1	DEVICE	LS 663 BIS	1	STEEL	HOT DIP GALV.D (ISO 1461)
ITEM	DESCRIPTION	DRAWING N°	N° PCS.	MATERIAL	NOTE



DATE	MODIFICATIONS	DRAWER	APPROVED
s.r.l. GORLA MORSETTERIE MILANO		GUIDE AND SUPPORT DEVICE FOR BUNDLE CONDUCTORS	
TECHNICAL OFFICE		SCALE	
		DRAWER	DATE
		APPROVED	DATE
		DRW. N. LS 664	

1	DEVICE	LS 664 BIS	1	STEEL	HOT DIP GALV.D (ISO 1461)
ITEM	DESCRIPTION	DRAWING N°	N° PCS.	MATERIAL	NOTE