

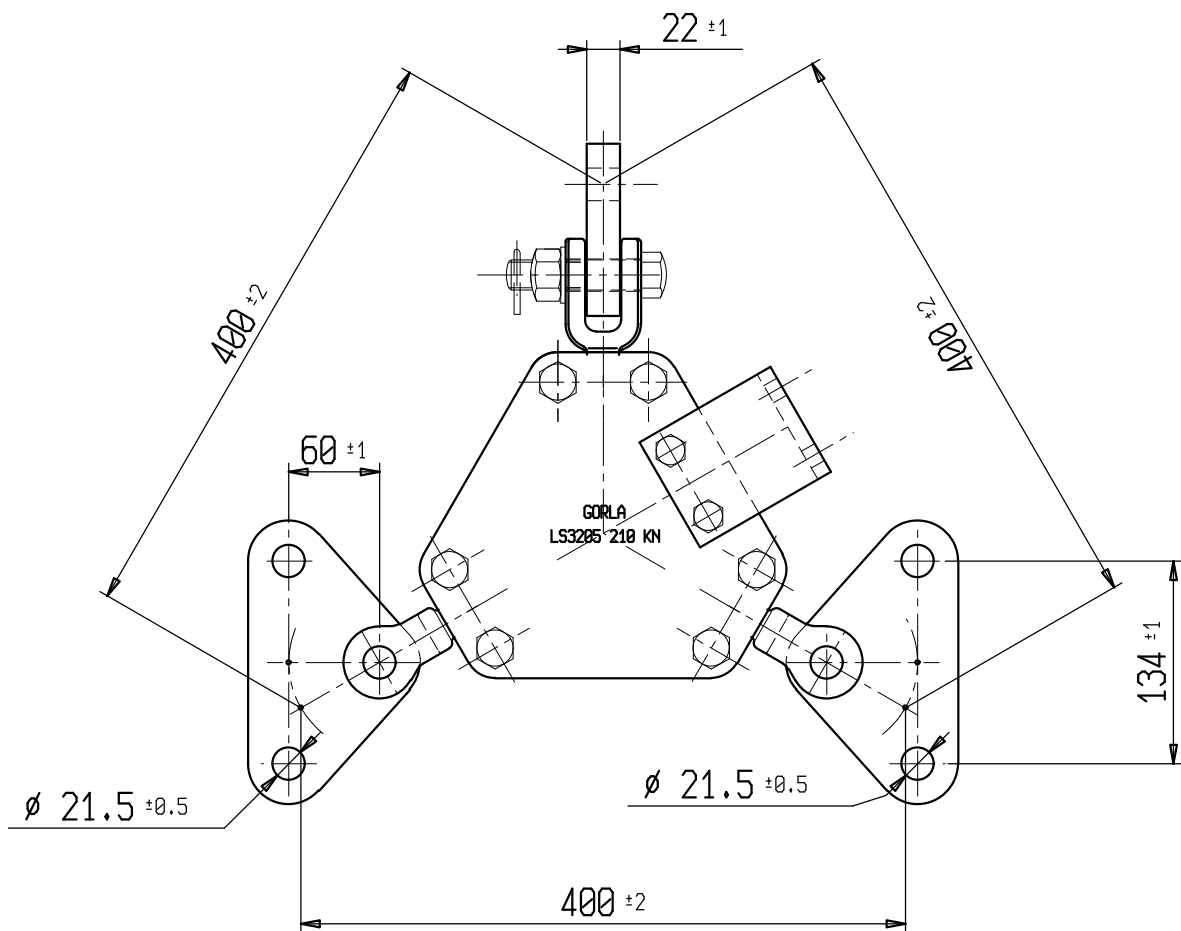
s.r.l. GORLA
MORSETTERIE
MILANO

TECHNICAL OFFICE

SPACER
FOR 3 BUNDLE CONDUCTORS

DRG. N. AT47/X

Rev.1 dated 23.09.09



Material: Hot dip galvanized steel. Stainless steel pins.