

s.r.l. GORLA
MORSETTERIE
MILANO

COUNTERWEIGHT

DIRG N. LS 8015

SCALE

DRAWN

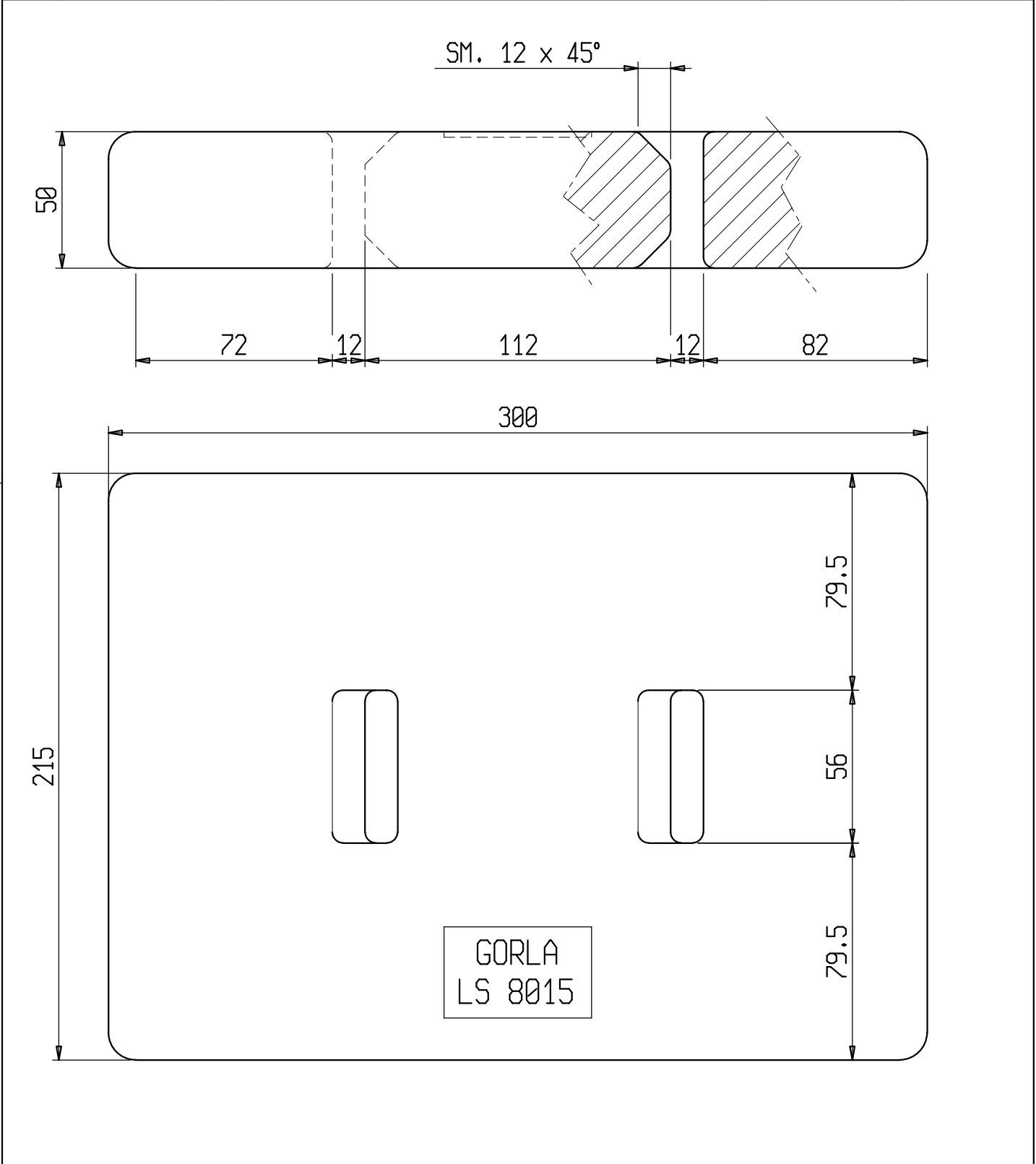
DATE

APPROVED

DATE

TECHNICAL OFFICE

N.	DATE	UPDATES	DRAWN	APPROVED



1	COUNTERWEIGHT (BODY)	LS 8015 BIS	1	CAST IRON	HOT DIP GALV.D (ISO 1461)
ITEM	DESCRIPTION	N° DRG.	N° PCS.	MATERIAL	NOTE