

s.r.l. GORLA
MORSETTERIE
MILANO

BRACKET FASTENING
STIRRUP CLAMPS

DRG. N. AT31/X

SCALE

DRAWN

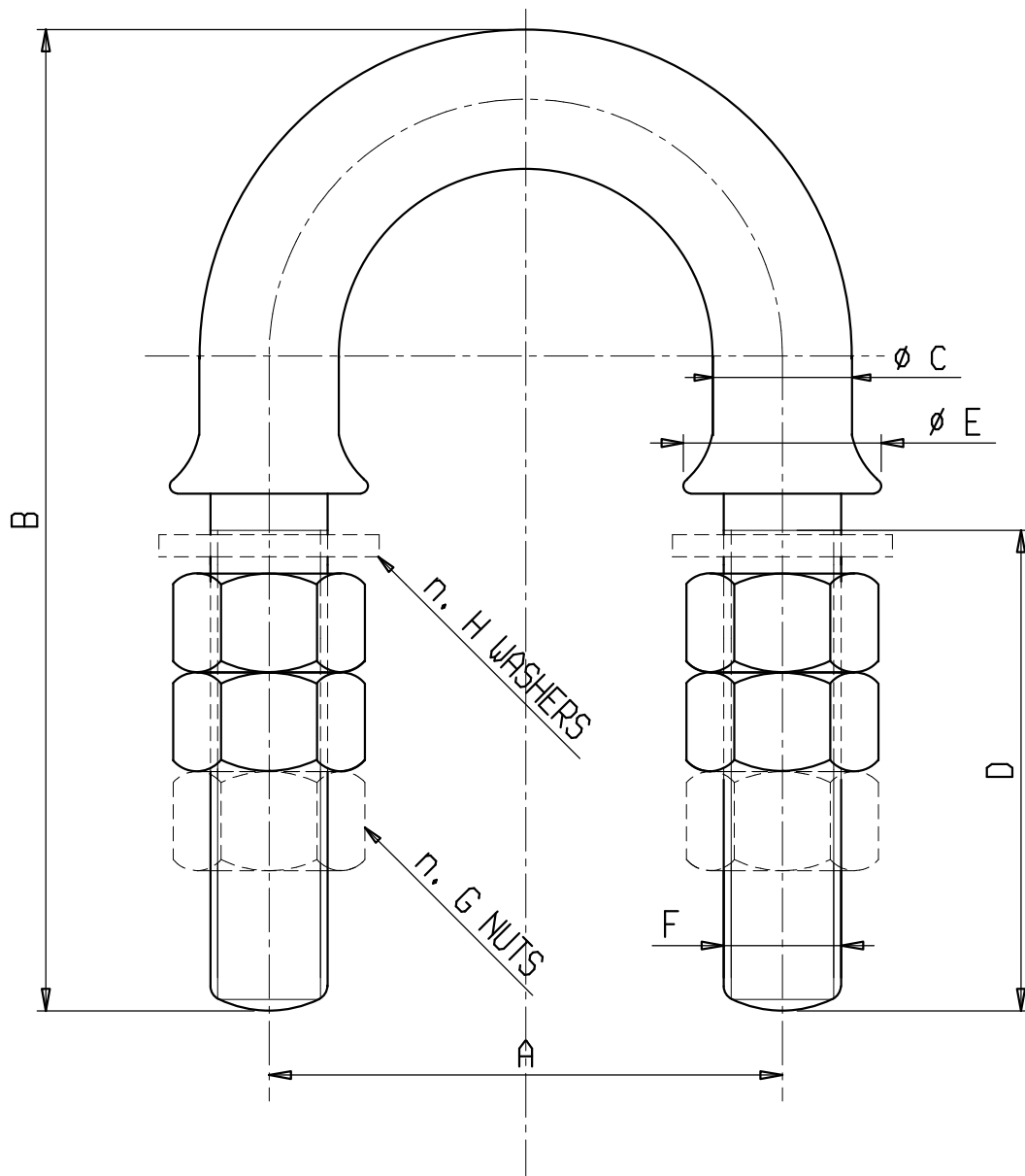
DATE

APPROVED

DATE

TECHNICAL OFFICE

N.	DATE	UPDATES	DRAWN	APPROVED
.



Material: Hot dip galvanized steel.

