

s.r.l. GORLA
MORSETTERIE
MILANO

TECHNICAL OFFICE

COMPRESSION
LUGS

DRG. N. AT40/X

SCALE

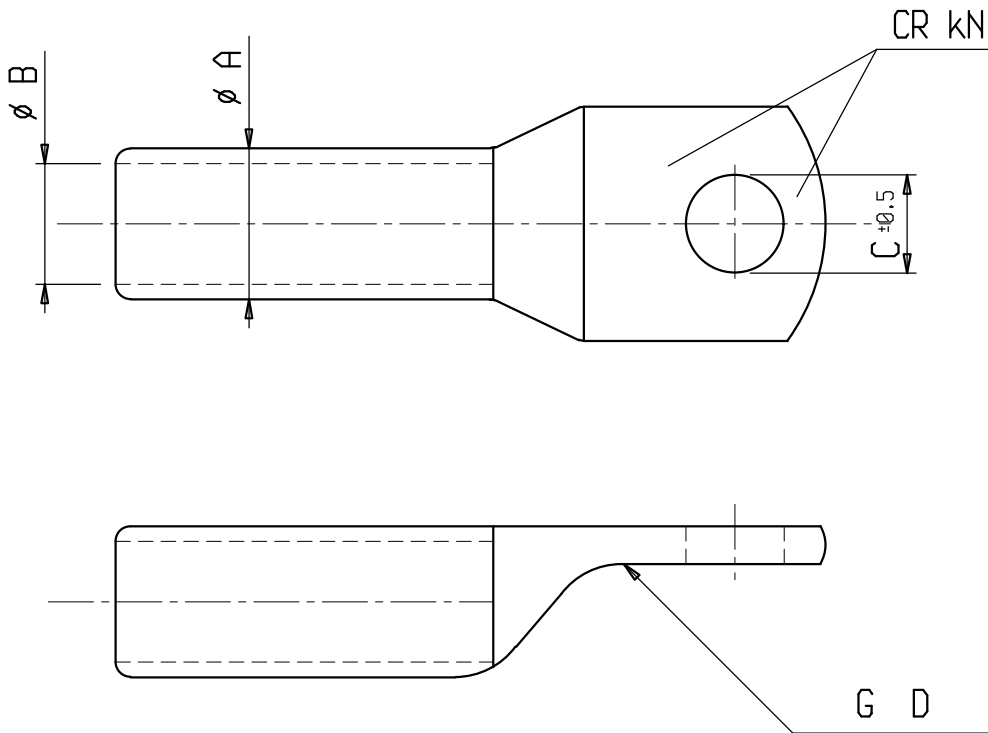
DRAWN

DATE

APPROVED

DATE

N.	DATE	UPDATES	DRAWN	APPROVED
.



X	A	B	C	D	CR [kN]	Material
DR 1035	16	10	13	9 mm	4	Al alloy
DR 12031	15	12	13	10,5 mm	5	Tinned Cu alloy
DR 12032	17	13	13	11,5 mm	5	Tinned Cu alloy
DR 1202FS	20	14	13	120 mmq	5	Tinned Cu alloy
DR 1202	20	16	13	125 mmq	5	Tinned Cu alloy