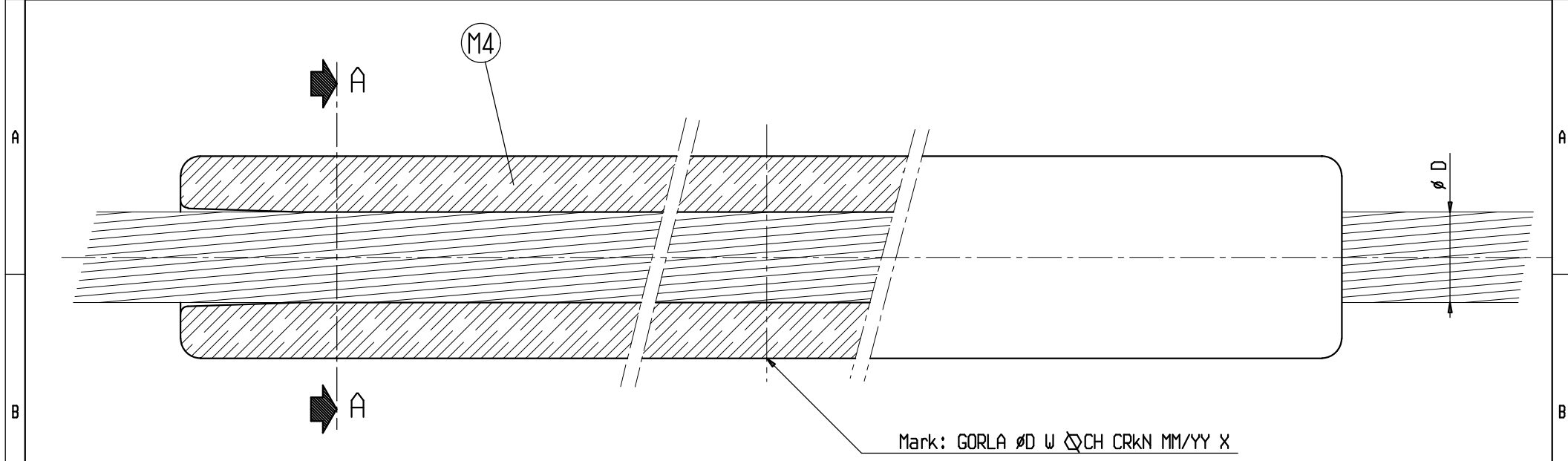


1

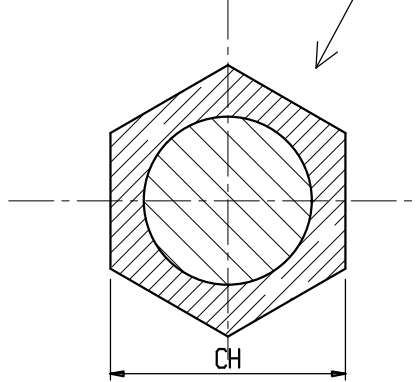
2

3

4



SECTION A-A



Material. M4: Aluminium alloy

<p>s.r.l. GORLA MORSETTERIE MILANO TECHNICAL OFFICE</p>	<p>COMPRESSION JOINTS FOR AAC AND AAAC CONDUCTORS</p>	<p>Rev.2 dated 11.06.08 DRG. N. AT06/X</p>
---	---	--

