

s.r.l. GORLA
MORSETTERIE
MILANO

TECHNICAL OFFICE

SPACER
FOR DOUBLE A1 CONDUCTOR

DRG. N. 75/AA/X

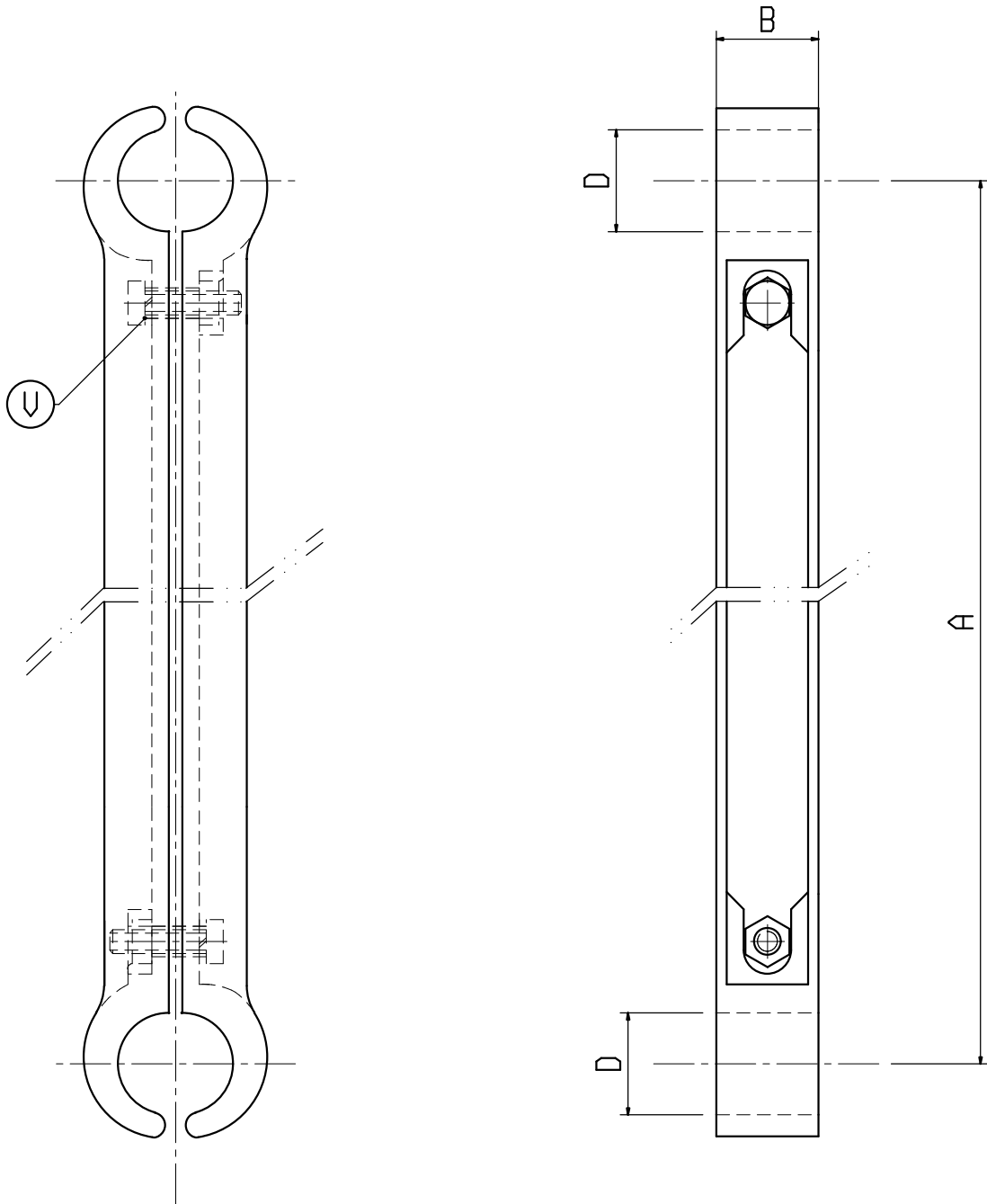
SCALE

DRAWN

DATE

APPROVED

DATE



Material: Aluminium alloy

Bolts: Stainless steel

X	∅ CONDUCTOR	A	B	U1	X	∅ CONDUCTOR	A	B	U1
	D					D			
C 6698293	29,3	200	30	M8					
C 6698	36	200	30	M8					
C 6699269	26,9	400	30	M8					
C 6699	36	400	30	M8					