

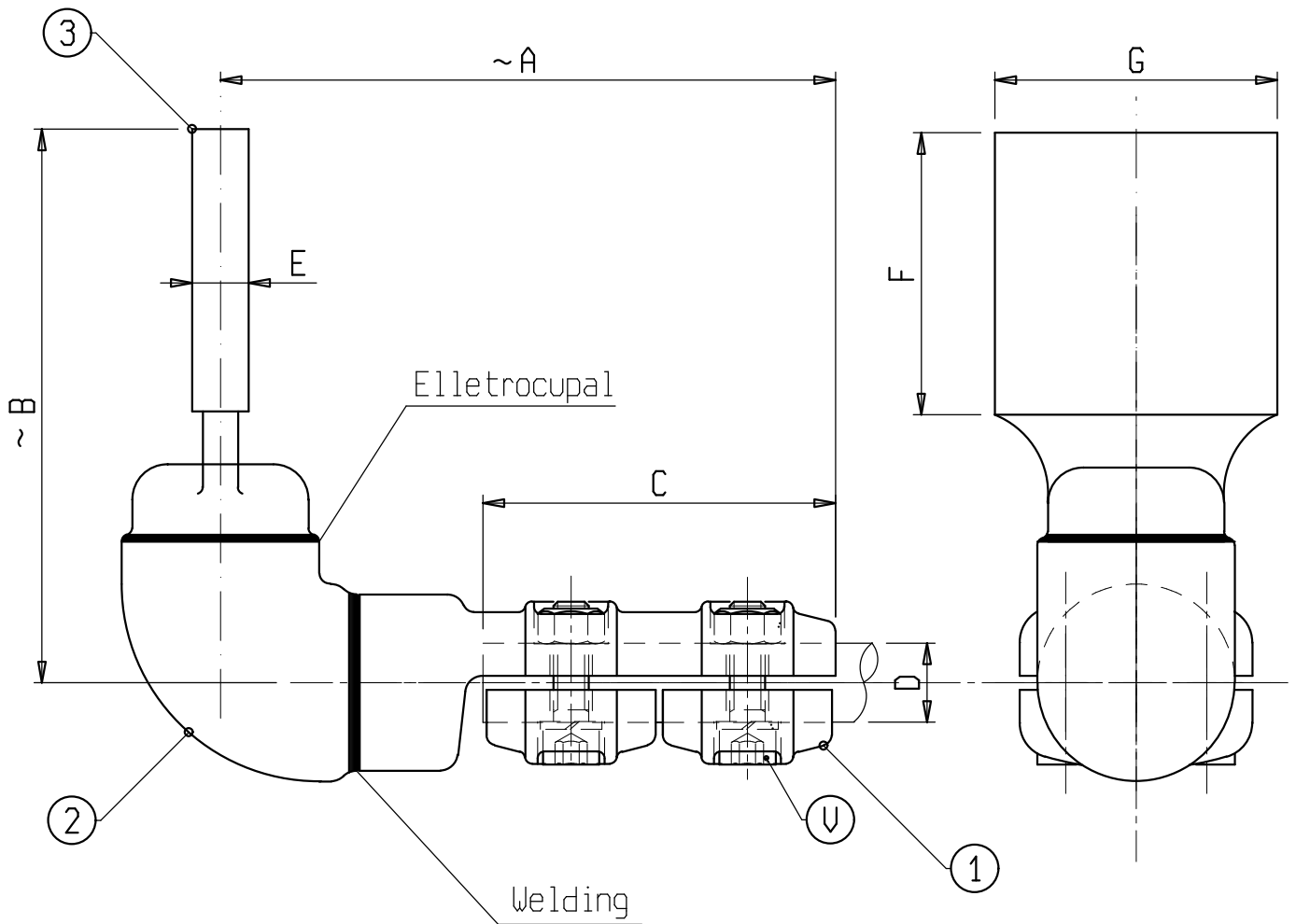
s.r.l. GORLA
MORSETTERIE
MILANO

TECHNICAL OFFICE

90° CONNECTOR
FOR Al CONDUCTOR
AND Cu FLAT

DRG. N. 22/AB/X

Rev.2 dated 06.12.10



Material: 1 and 2 Aluminium alloy 3 Copper alloy
Bolts: Stainless steel

X	∅ COND.	A	B	C	E	F	G	U	X	∅ COND.	A	B	C	E	F	G	U
	D									D							
C 0406AB	12-20	175	190	100	10	100	80	M10	C 0211AB	32-36	180	230	100	16	100	100	M10
C 0961AB	20-25	175	170	100	15	80	80	M10	C 6712AB	32-36	180	250	100	10	120	120	M10
C 6726AB	20-25	175	250	100	10	120	120	M10	C 6625AB	36-40	190	170	100	15	80	80	M10
C 0962AB	32-36	180	170	100	15	80	80	M10	C 0693AB	36-40	190	250	100	10	120	120	M10

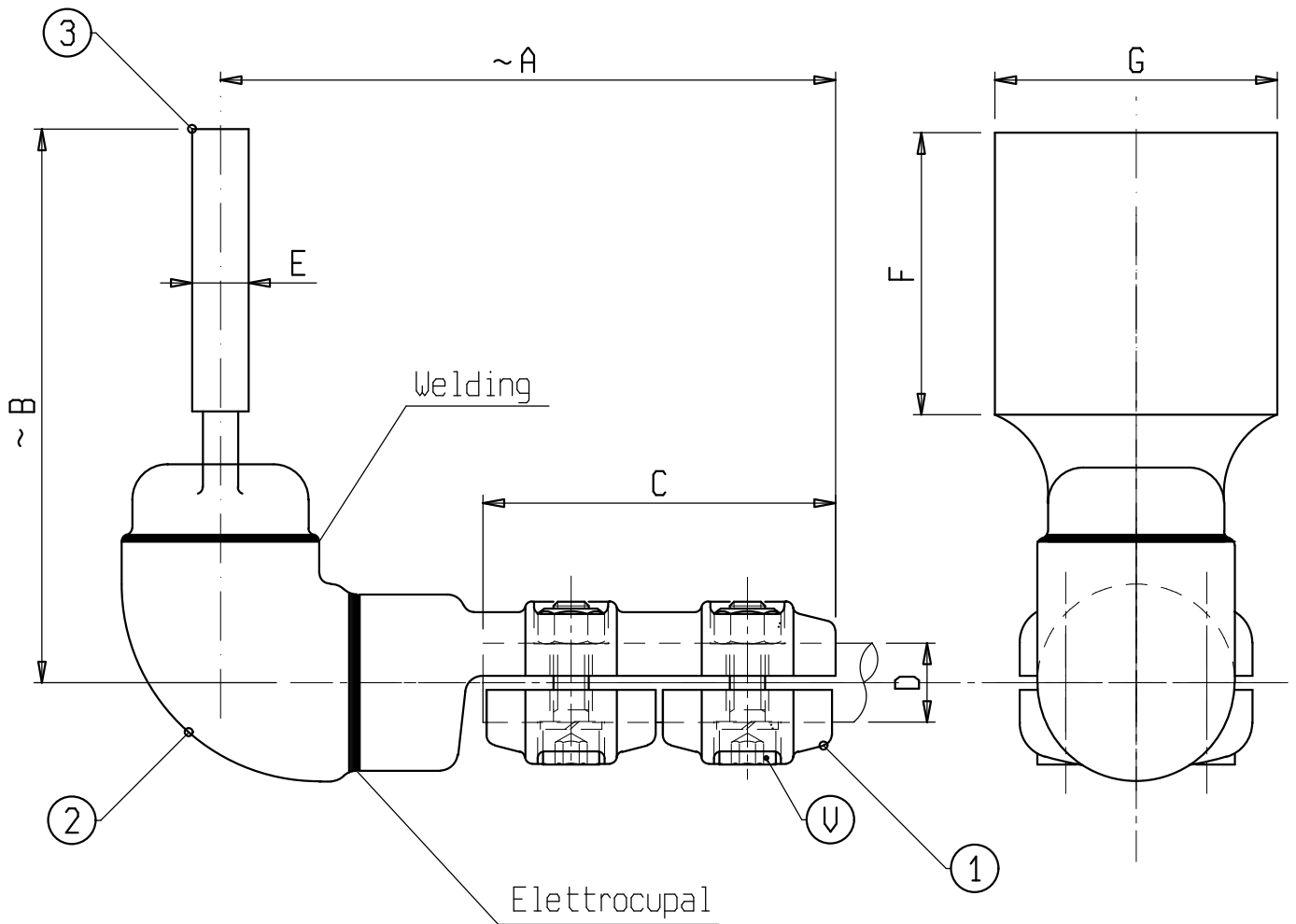
s.r.l. GORLA
MORSETTERIE
MILANO

TECHNICAL OFFICE

90° CONNECTOR
FOR CU CONDUCTOR
AND Al FLAT

DRG. N. 22/BA/X

Rev.2 dated 06.12.10



Material: 1 Copper alloy 2 and 3 Aluminium alloy
Bolts: Stainless steel

X	∅ COND.	A	B	C	E	F	G	U	X	∅ COND.	A	B	C	E	F	G	U
	D									D							
C 0406BA	12-20	175	190	100	10	100	80	M10	C 0211BA	32-36	180	230	100	16	100	100	M10
C 0961BA	20-25	175	170	100	15	80	80	M10	C 6712BA	32-36	180	250	100	10	120	120	M10
C 6726BA	20-25	175	250	100	10	120	120	M10	C 6625BA	36-40	190	170	100	15	80	80	M10
C 0962BA	32-36	180	170	100	15	80	80	M10	C 0693BA	36-40	190	250	100	10	120	120	M10