

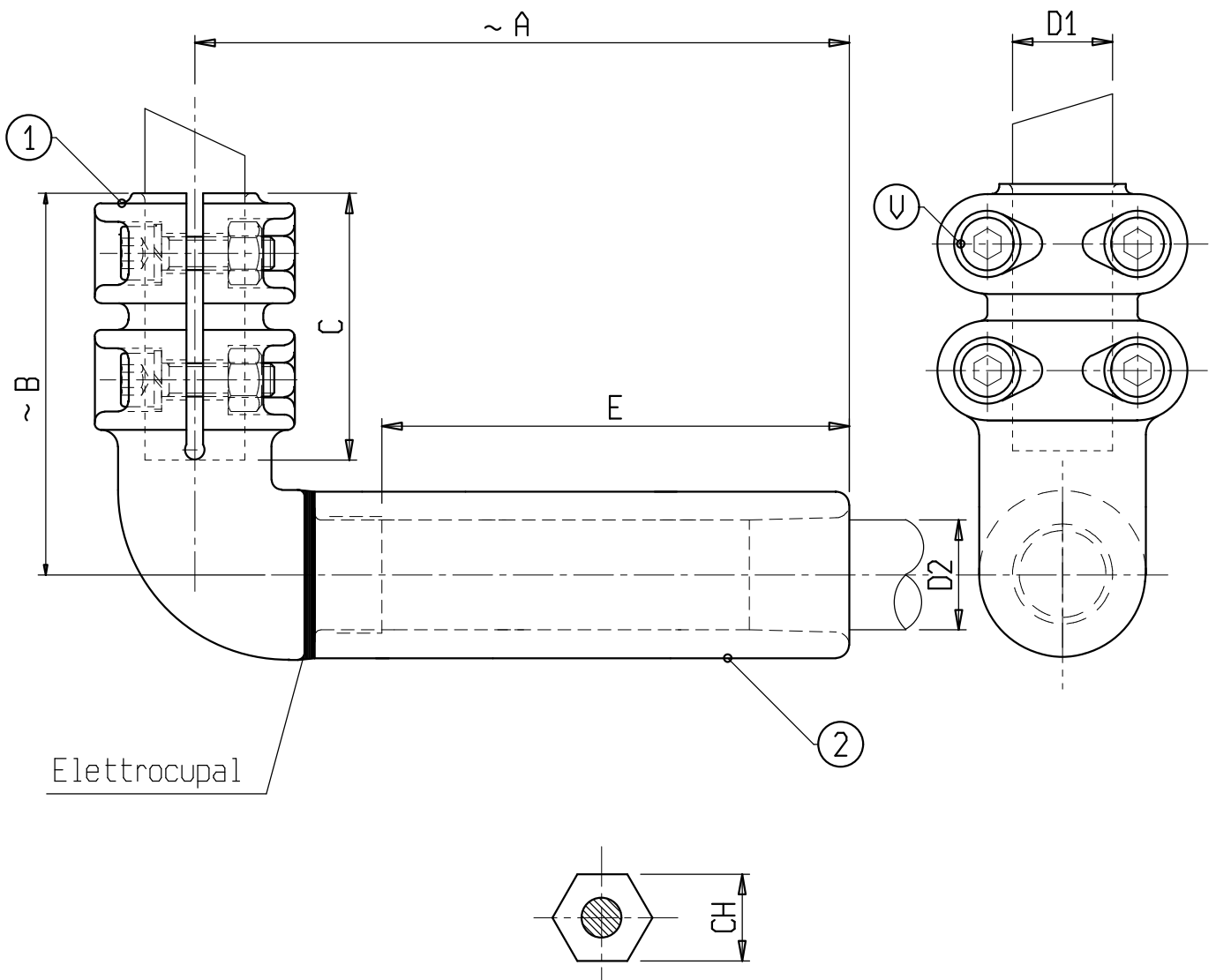
s.r.l. GORLA
MORSETTERIE
MILANO

TECHNICAL OFFICE

90° CONNECTOR
FOR CU STUD
AND AL CONDUCTOR
COMPRESSION TYPE

DRG. N. 21/BA/X

Rev.1 dated 30.10.06



Material: 1 Copper alloy 2 Aluminium alloy
Bolts: Stainless steel

