

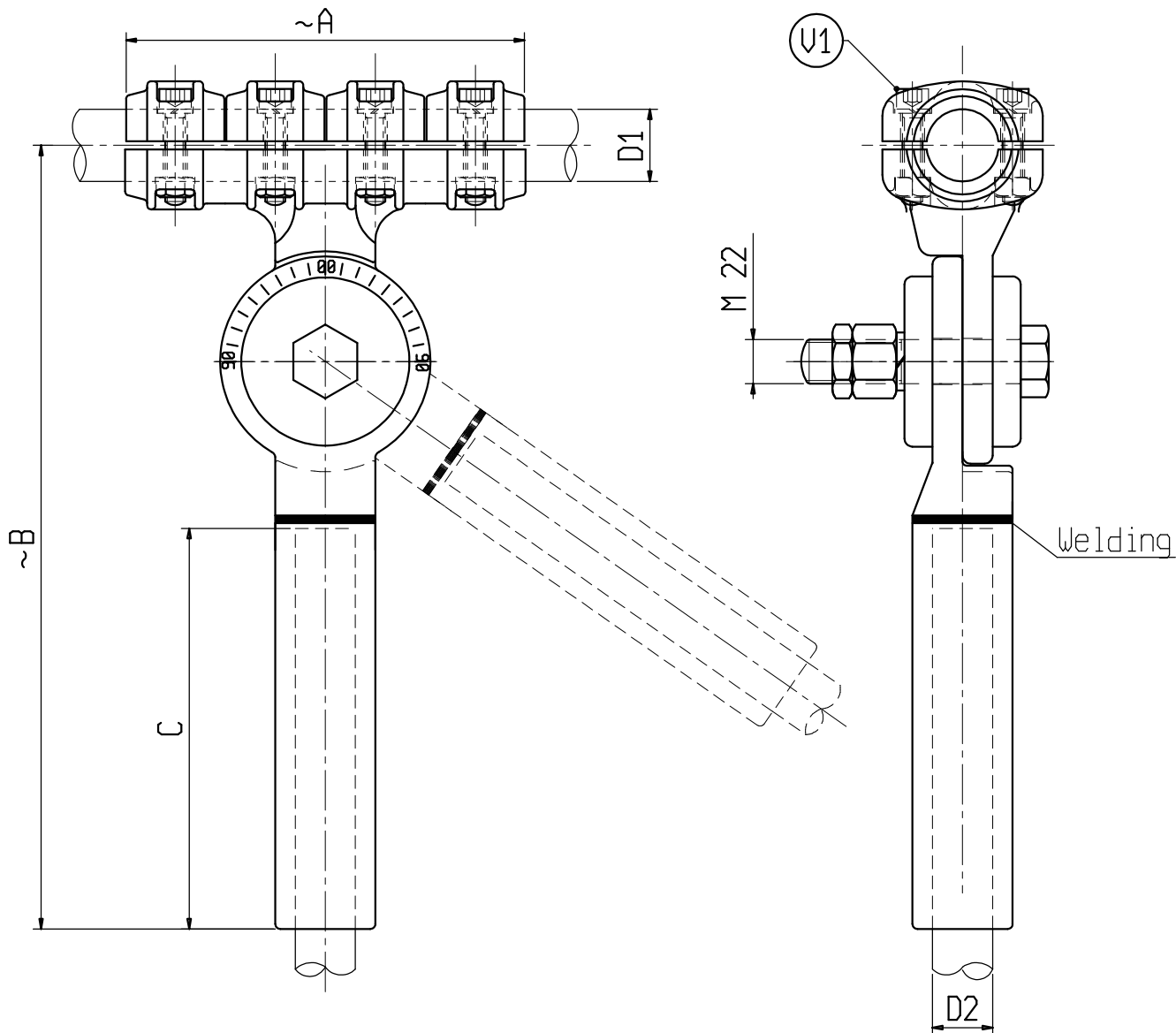
s.r.l. GORLA  
MORSETTERIE  
MILANO

TECHNICAL OFFICE

ORIENTABLE STRAIGHT AND T  
CONNECTOR  
FOR A1 CONDUCTOR RUN  
AND A1 CONDUCTOR TAP  
COMPRESSION TYPE

DRG. N. 79/AA/X

Rev.5 dated 21.07.23



Material: Aluminium alloy

Bolts: Stainless steel

X	Ø CONDUCTOR		A	B	C	CH	V1	X	Ø CONDUCTOR		A	B	C	CH	V1
	D1	D2							D1	D2					
C 0193AZTC	19-25 ZTAL	19.6 KTAL	200	390	200	34	M10	C 1280AA	20-25	35.5-37.5	200	350	150	54	M10
C 1815-22AA	15-20	22-23.5	200	350	150	34	M10	C 6774-22AA	25-32	22-23.5	200	350	150	34	M10
C 1815AA	15-20	30.5-32.5	200	350	150	44	M10	C 0190AA	25-32	25.5-27.5	200	350	150	44	M10
C 0193AA	20-25	19-22	200	350	150	34	M10	C 0177AA	25-32	27.5-30.5	200	350	150	44	M10
C 6566AA	20-25	22-23.5	200	350	150	34	M10	C 6774AA	25-32	30.5-32.5	200	350	150	44	M10
C 0298AA	20-25	30.5-32.5	200	350	150	44	M10	C 0191AA	32-36	35.5-37.5	200	350	150	54	M10