

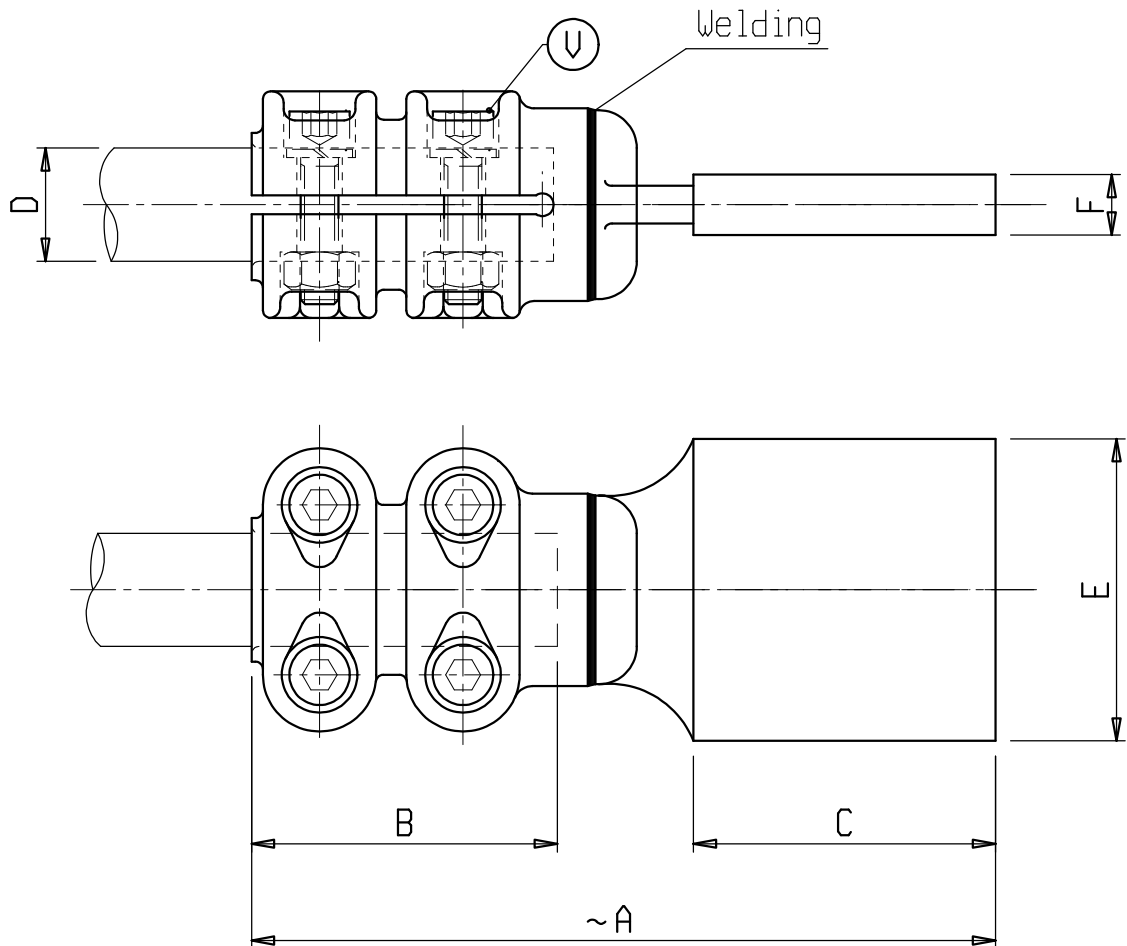
s.r.l. GORLA
MORSETTERIE
MILANO

TECHNICAL OFFICE

STRAIGHT CONNECTOR
FOR A1 CONDUCTOR
AND A1 FLAT

DRG. N. 16/AA/X

Rev.3 dated 30.03.22



Material: Aluminium alloy
Bolts: Stainless steel

X	∅ COND.	A	B	C	E	F	U	X	∅ COND.	A	B	C	E	F	U
	D								D						
C 6449AA	20	250	80	100	100	10	M10	C 6679AA	50	250	80	100	100	10	M10
C 6707AA	30	250	80	100	100	10	M10	C 667980AA	50	250	80	110	80	17	M10
C 1641AA	30	270	80	120	120	10	M10	C 6700AA	30	360	140	100	150	20	M10
C 6303AA	40	230	80	80	80	10	M10	C 64201AA	40	360	120	120	120	10	M10
C 63031AA	40	250	80	100	100	10	M10	C 6679-120AA	50	290	120	110	80	17	M10
C 63032AA	40	250	80	100	200	20	M10	C 64202AA	80	340	120	100	150	20	M10