

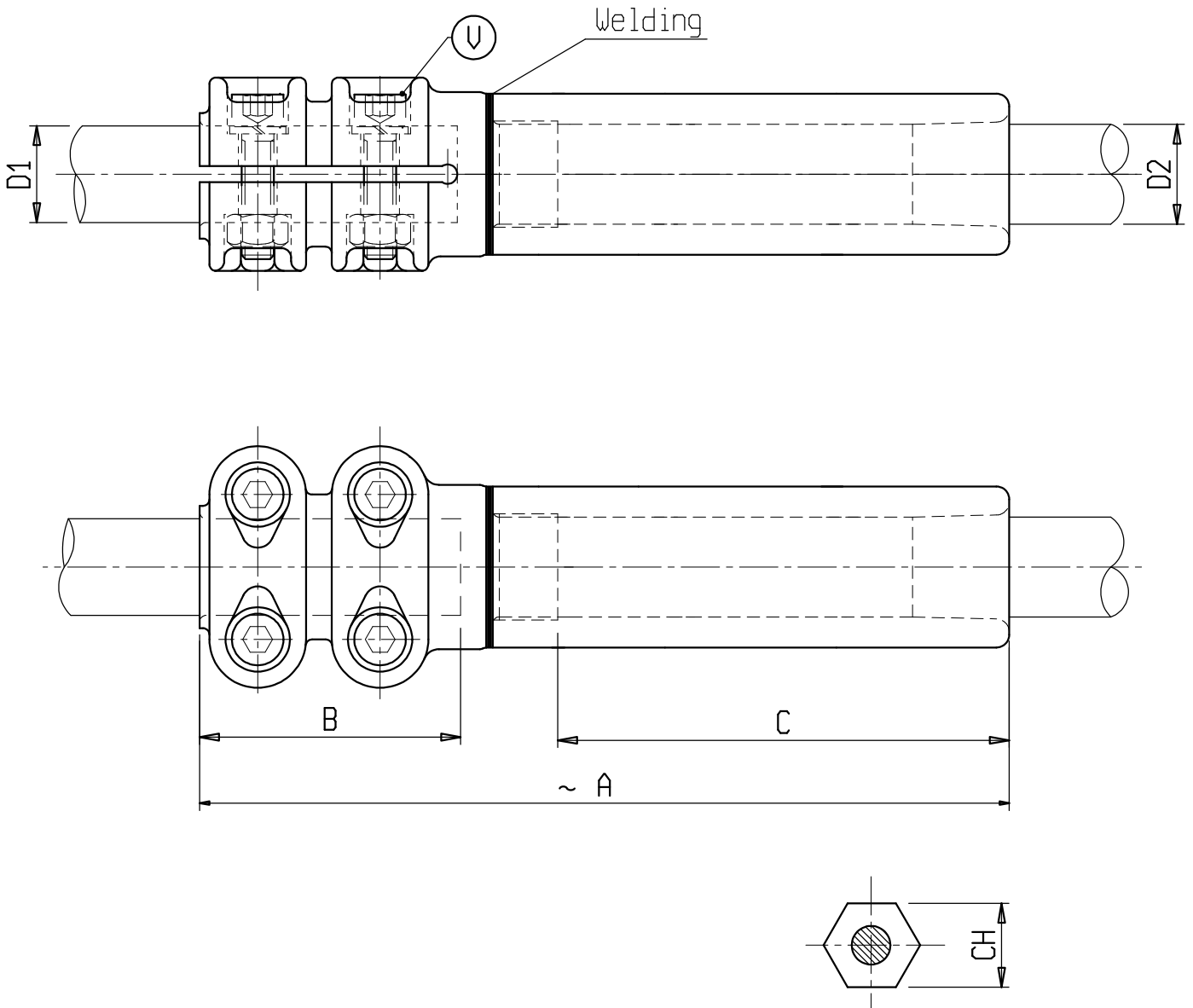
s.r.l. GORLA
MORSETTERIE
MILANO

TECHNICAL OFFICE

STRAIGHT CONNECTOR
FOR A1 STUD
AND A1 CONDUCTOR
COMPRESSION TYPE

DRG. N. 13/AA/X

Rev.2 dated 25.06.14



Material: Aluminium alloy

Bolts: Stainless steel

s.r.l. GORLA
MORSETTERIE
MILANO

TECHNICAL OFFICE

STRAIGHT CONNECTOR
FOR A1 STUD
AND A1 CONDUCTOR
COMPRESSION TYPE

DRG. N. 13/AA/X

Rev.12 dated 28.07.23

X	∅ CONDUCTOR		A	B	C	V	CH	X	∅ CONDUCTOR		A	B	C	V	CH
	D1	D2							D1	D2					
C 0708AAC	20	11-14	260	80	145	M10	26	C 1646AAC	50	30.5-32.5	260	80	145	M10	44
C 6863AAC	20	14-17	260	80	145	M10	26	C 1645AAC	50	35.5-37.5	260	80	145	M10	54
C 0760AAC	20	17-19	260	80	145	M10	34	C 6525AAP	60	32.5-35.5	260	80	145	M10	54
C 0766AAC	20	19-22	260	80	145	M10	34	C 6744AAC	30	23.5-25.5	260	90	145	M10	44
C 0769AAC	20	22-23.5	260	80	145	M10	34	C 6883AAC	30	11-14	300	120	145	M10	26
C 0781AAC	20	23.5-25.5	260	80	145	M10	44	C 6884AAC	30	14-17	300	120	145	M10	26
C 0782AAC	20	27.5-30.5	260	80	145	M10	44	C 688517AAC	30	17-19	300	120	145	M10	34
C 0786AAC	20	30.5-32.5	260	80	145	M10	44	C 6885AAC	30	19-22	300	120	145	M10	34
C 0788AAC	20	32.5-35.5	260	80	145	M10	54	C 6886AAC	30	22-23.5	300	120	145	M10	34
C 0790AAC	20	35.5-37.5	260	80	145	M10	54	C 1428AAC	30	21,5-23.5ZTAL	340	120	185	M10	44
C 1358AAC	30	12,7 ZTAL	300	80	185	M10	26	C 0686AAC	30	40,5-43,5	325	120	170	M10	60
C 6673AAP	30	11-14	260	80	145	M10	26	C 6667AAC	40	32.5-35.5	280	100	145	M10	54
C 6389AAC	30	14-17	260	80	145	M10	26	C 688719AAC	40	19-22	300	120	145	M10	34
C 0443AAC	30	17-19	260	80	145	M10	34	C 6887AAC	40	22-23,5	300	120	145	M10	34
C 6677AAP	30	19-22	260	80	145	M10	34	C 1429AAC	40	21,5-23.5ZTAL	340	120	185	M10	44
C 6270AAP	30	22-23.5	260	80	145	M10	34	C 0100AAC	40	25.5-27.5	300	120	145	M10	44
C 0853AAC	30	25.5-27.5	260	80	145	M10	44	C 6888AAC	40	27.5-30.5	300	120	145	M10	44
C 6616AAC	30	27.5-30.5	260	80	145	M10	44	C 1709AAC	40	30.5-32.5	300	120	145	M10	44
C 6266AAP	30	30.5-32.5	260	80	145	M10	44	C 6196AAC	40	35.5-37.5	300	120	145	M10	54
C 6523AAP	30	32.5-35.5	260	80	145	M10	54	C 6745AAC	50	23.5-25.5	300	120	145	M10	44
C 6419AAP	30	35.5-37.5	260	80	145	M10	54	C 1710AAC	50	30.5-32.5	300	120	145	M10	44
C 0860AAC	40	11-14	260	80	145	M10	26	C 0222AAC	50	35.5-37.5	300	120	145	M10	54
C 0860127AAC	40	11-14 ZTAL	260	80	185	M10	26								
C 6768AAC	40	14-17	260	80	145	M10	26								
C 0511AAC	40	15-16.5ZTAL	300	80	185	M10	34								
C 6412AA	40	17-19	260	80	145	M10	34								
C 0486AAC	40	19,6 ZTAL	300	80	185	M10	34								
C 0862AAC	40	19-22	260	80	145	M10	34								
C 6271AA	40	22-23,5	260	80	145	M10	34								
C 0863AAC	40	25.5-27.5	260	80	145	M10	44								
C 6439AAP	40	27.5-30.5	260	80	145	M10	44								
C 6226AA	40	30.5-32.5	260	80	145	M10	44								
C 6524AAP	40	32.5-35.5	260	80	145	M10	54								
C 6222AAP	40	35.5-37.5	260	80	145	M10	54								