

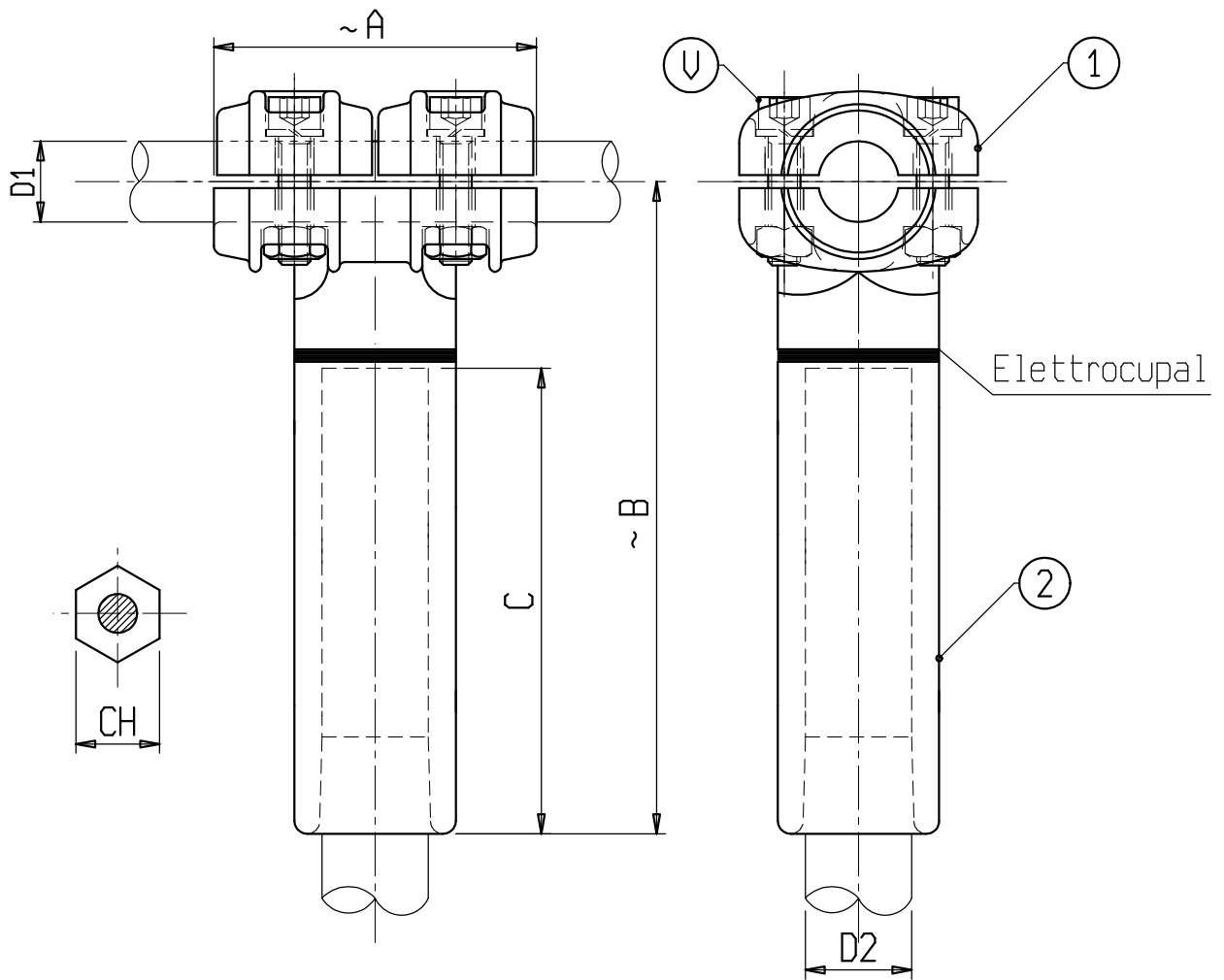
s.r.l. GORLA
MORSETTERIE
MILANO

TECHNICAL OFFICE

T CONNECTOR
FOR CU CONDUCTOR RUN BOLT TYPE
AND Al CONDUCTOR TAP
COMPRESSION TYPE

DRG. N. 04/BA/X

Rev.1 del 09.10.18



Material: 1 Copper alloy; 2 Aluminium alloy
Bolts: Stainless steel

s.r.l. GORLA
MORSETTERIE
MILANO

TECHNICAL OFFICE

T CONNECTOR
FOR CU CONDUCTOR RUN BOLT TYPE
AND Al CONDUCTOR TAP
COMPRESSION TYPE

DRG. N. 04/BA/X

Rev.1 del 09.10.18

X	∅ CONDUCTOR		A	B	C	V	CH	X	∅ CONDUCTOR		A	B	C	V	CH
	D1	D2							D1	D2					
C 0195BAC	12-20	11-14	100	200	145	M10	26	C 6425BAP	25-32	27.5-30.5	100	200	145	M10	44
C 6388BAP	12-20	14-17	100	200	145	M10	26	C 6239BAP	25-32	30.5-32.5	100	200	145	M10	44
C 0200BAC	12-20	17-19	100	200	145	M10	26	C 0272BAP	25-32	32.5-35.5	100	200	145	M10	54
C 6417BAP	12-20	19-22	100	200	145	M10	34	C 6234BAP	25-32	35.5-37.5	100	200	145	M10	54
C 6346BAP	12-20	22-23.5	100	200	145	M10	34	C 0276BAC	32-36	11-14	100	205	145	M10	26
C 0202BAP	12-20	23.5-25.5	100	200	145	M10	34	C 0277BAC	32-36	14-17	100	205	145	M10	26
C 0203BAP	12-20	25.5-27.5	100	200	145	M10	44	C 0278BAC	32-36	17-19	100	205	145	M10	26
C 0201BAP	12-20	27.5-30.5	100	200	145	M10	44	C 0279BAP	32-36	19-22	100	205	145	M10	34
C 5969BAP	12-20	30.5-32.5	100	200	145	M10	44	C 0290BAP	32-36	22-23.5	100	205	145	M10	34
C 0204BAP	12-20	32.5-35.5	100	200	145	M10	54	C 0296BAP	32-36	23.5-25.5	100	205	145	M10	34
C 6102BAC	12-20	35.5-37.5	100	200	145	M10	54	C 6542BAP	32-36	25.5-27.5	100	205	145	M10	44
C 0205BAC	20-25	11-14	100	200	145	M10	26	C 0299BAP	32-36	27.5-30.5	100	205	145	M10	44
C 0206BAC	20-25	14-17	100	200	145	M10	26	C 0300BAP	32-36	30.5-32.5	100	205	145	M10	44
C 0212BAC	20-25	17-19	100	200	145	M10	26	C 6487BAP	32-36	32.5-35.5	100	205	145	M10	54
C 5977BAP	20-25	19-22	100	200	145	M10	34	C 6099BAP	32-36	35.5-37.5	100	205	145	M10	54
C 6269BAP	20-25	22-23.5	100	200	145	M10	34	C 0301BAC	36-40	11-14	100	205	145	M10	26
C 6747BAC	20-25	23.5-25.5	100	200	145	M10	34	C 0302BAC	36-40	14-17	100	205	145	M10	26
C 5978BAP	20-25	25.5-27.5	100	200	145	M10	44	C 0303BAC	36-40	17-19	100	205	145	M10	26
C 0234BAP	20-25	27.5-30.5	100	200	145	M10	44	C 0304BAP	36-40	19-22	100	205	145	M10	34
C 5960BAP	20-25	30.5-32.5	100	200	145	M10	44	C 0305BAP	36-40	22-23.5	100	205	145	M10	34
C 0252BAP	20-25	32.5-35.5	100	200	145	M10	54	C 0306BAP	36-40	23.5-25.5	100	205	145	M10	34
C 6404BAP	20-25	35.5-37.5	100	200	145	M10	54	C 0307BAP	36-40	25.5-27.5	100	205	145	M10	44
C 0255BAC	25-32	11-14	100	200	145	M10	26	C 0308BAP	36-40	27.5-30.5	100	205	145	M10	44
C 0257BAC	25-32	14-17	100	200	145	M10	26	C 0309BAP	36-40	30.5-32.5	100	205	145	M10	44
C 0263BAC	25-32	17-19	100	200	145	M10	26	C 6731BAC	36-40	32.5-35.5	100	205	145	M10	54
C 6572BAP	25-32	19-22	100	200	145	M10	34	C 6773BAP	36-40	35.5-37.5	100	205	145	M10	54
C 6405BAP	25-32	22-23.5	100	200	145	M10	34								
C 0270BAP	25-32	23.5-25.5	100	200	145	M10	34								
C 6535BAP	25-32	25.5-27.5	100	200	145	M10	44								

s.r.l. GORLA
MORSETTERIE
MILANO

TECHNICAL OFFICE

STRAIGHT AND T CONNECTOR
FOR CU CONDUCTOR RUN BOLT TYPE
AND A1 CONDUCTOR TAP
COMPRESSION TYPE

DRG. N. 05/BA/X

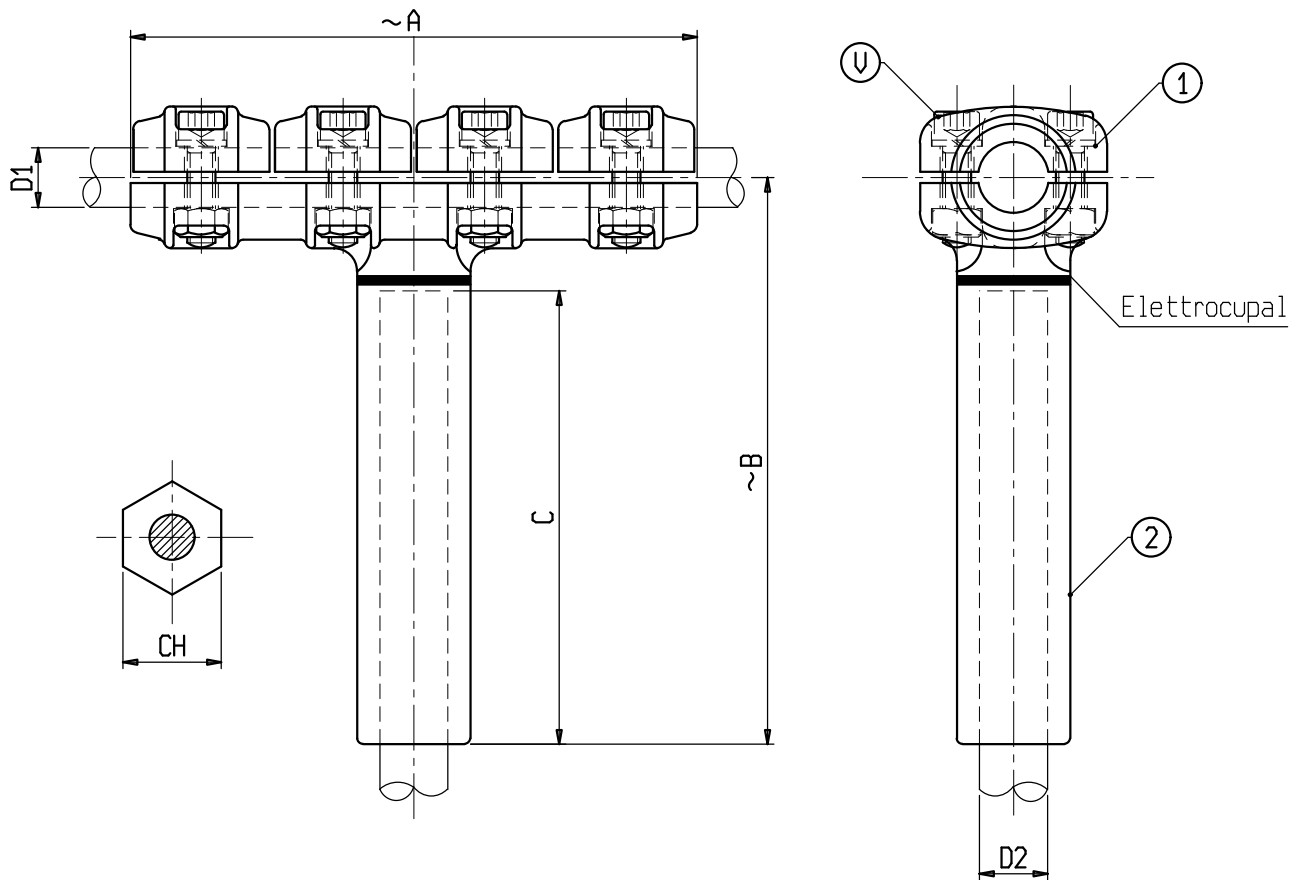
SCALE

DRAWN

DATE

APPROVED

DATE



Material: 1 Copper alloy; 2 Aluminium alloy
Bolts: Stainless steel

s.r.l. GORLA
MORSETTERIE
MILANO

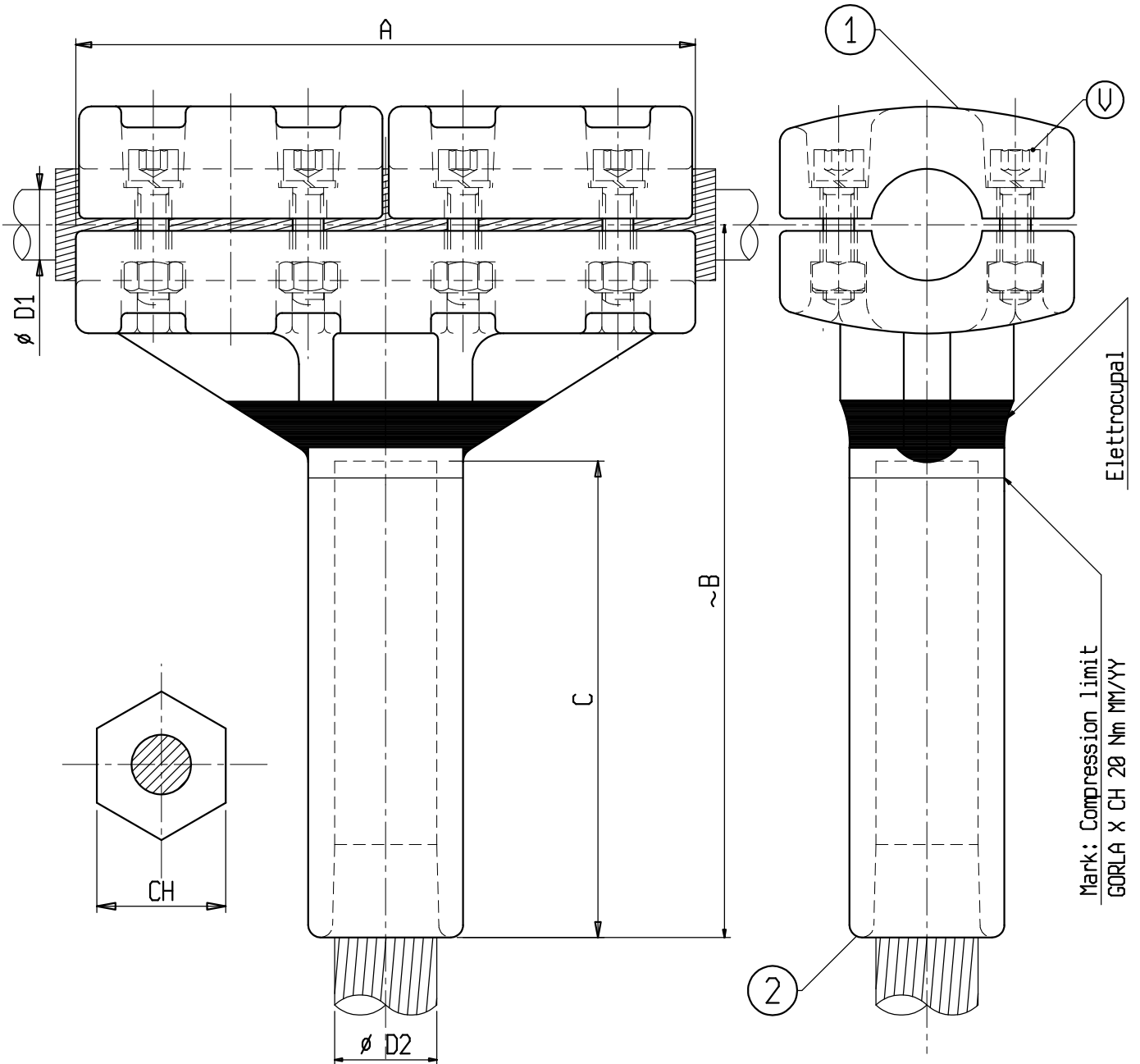
TECHNICAL OFFICE

STRAIGHT AND T CONNECTOR
FOR CU CONDUCTOR RUN BOLT TYPE
AND A1 CONDUCTOR TAP
COMPRESSION TYPE

DRG. N. 05/BA/X

Rev.3 dated 07.05.20

X	Ø CONDUCTOR		A	B	C	V	CH	X	Ø CONDUCTOR		A	B	C	V	CH
	D1	D2							D1	D2					
C 0310BAC	12-20	11-14	200	200	145	M10	26	C 0400BAP	32-36	19-22	200	205	145	M10	34
C 6767BAP	12-20	14-17	200	200	145	M10	26	C 0461BAP	32-36	22-23.5	200	205	145	M10	34
C 6571-10BAP	10-15	17-19	200	200	145	M10	34	C 6543BAP	32-36	25.5-27.5	200	205	145	M10	44
C 6571BAP	15-20	17-19	200	200	145	M10	34	C 0463BAP	32-36	27.5-30.5	200	205	145	M10	44
C 0322BAP	12-20	19-22	200	200	145	M10	34	C 6776BAP	32-36	30.5-32.5	200	205	145	M10	44
C 6655BAP	12-20	22-23.5	200	200	145	M10	34	C 6662BAC	32-36	32.5-35.5	200	205	145	M10	54
C 0323BAP	12-20	25.5-25.5	200	200	145	M10	44	C 6504BAC	32-36	35.5-37.5	200	205	145	M10	54
C 0325BAP	12-20	27.5-30.5	200	200	145	M10	44	C 0466BAC	36-40	11-14	200	205	145	M10	26
C 6603BAP	12-20	30.5-32.5	200	200	145	M10	44	C 0470BAC	36-40	14-17	200	205	145	M10	26
C 0326BAP	12-20	32.5-35.5	200	200	145	M10	54	C 0472BAP	36-40	17-19	200	205	145	M10	34
C 0328BAC	12-20	35.5-37.5	200	200	145	M10	54	C 0489BAP	36-40	19-22	200	205	145	M10	34
C 0334BAC	20-25	11-14	200	200	145	M10	26	C 0490BAP	36-40	22-23.5	200	205	145	M10	34
C 6915BAP	20-25	14-17	200	200	145	M10	26	C 0495BAP	36-40	25.5-27.5	200	205	145	M10	44
C 0338BAC	20-25	17-19	200	200	145	M10	26	C 0496BAP	36-40	27.5-30.5	200	205	145	M10	44
C 0340BAP	20-25	19-22	200	200	145	M10	34	C 0497BAP	36-40	30.5-32.5	200	205	145	M10	44
C 6644BB	20-25	22-23.5	200	200	145	M10	34	C 0498BAC	36-40	32.5-35.5	200	205	145	M10	54
C 0343BAC	20-25	25.5-27.5	200	200	145	M10	44	C 6460BAP	36-40	35.5-37.5	200	205	145	M10	54
C 0350BAP	20-25	27.5-30.5	200	200	145	M10	44	C 6474BAC	45-50	35.5-37.5	200	210	145	M10	54
C 6604BAP	20-25	30.5-32.5	200	200	145	M10	44								
C 0353BAP	20-25	32.5-35.5	200	200	145	M10	54								
C 6676BAP	20-25	35.5-37.5	200	200	145	M10	54								
C 0354BAC	25-32	11-14	200	200	145	M10	26								
C 6916BAP	25-32	14-17	200	200	145	M10	26								
C 0375BAP	25-32	17-19	200	200	145	M10	34								
C 0377BAP	25-32	19-22	200	200	145	M10	34								
C 6683BAP	25-32	22-23.5	200	200	145	M10	34								
C 6752BAP	25-32	25.5-27.5	200	200	145	M10	44								
C 6438BAP	25-32	27.5-30.5	200	200	145	M10	44								
C 6394BAP	25-32	30.5-32.5	200	200	145	M10	44								
C 0382BAP	25-32	32.5-35.5	200	200	145	M10	54								
C 6395BAP	25-32	35.5-37.5	200	200	145	M10	54								
C 0383BAC	32-36	10-11	200	205	145	M10	26								
C 0384BAC	32-36	11-14	200	205	145	M10	26								
C 0385BAC	32-36	14-17	200	205	145	M10	26								



Material. 1: Aluminium alloy; 2: Copper alloy
Bolts: Stainless steel

