

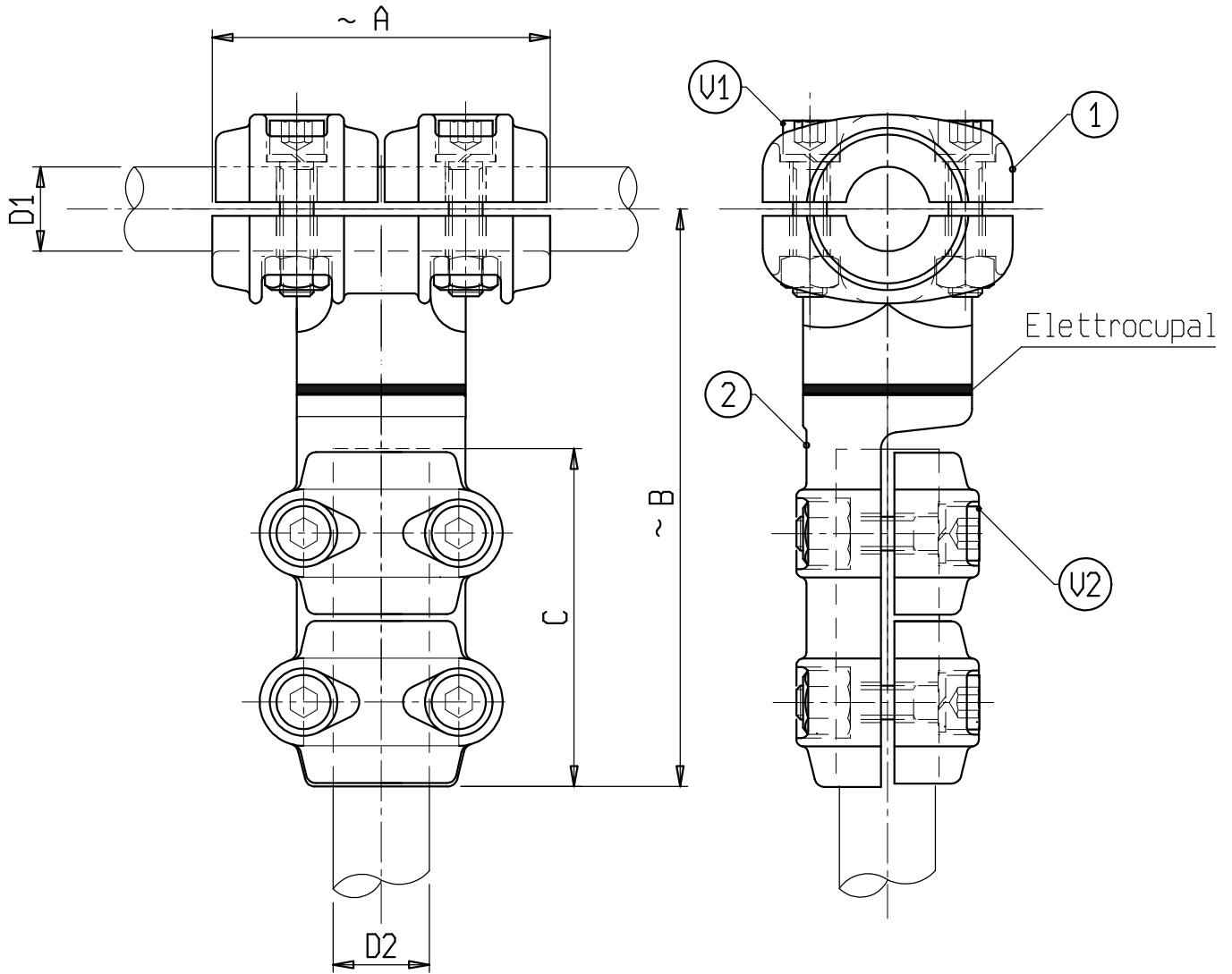
s.r.l. GORLA  
MORSETTERIE  
MILANO

TECHNICAL OFFICE

T BOLT CONNECTOR  
FOR A1 CONDUCTOR RUN  
AND Cu CONDUCTOR TAP

DRG. N. 02/AB/X

Rev.1 dated 31.01.19



Material: 1 Aluminium alloy; 2 Copper alloy  
Bolts: Stainless steel

X	∅ CONDUCTOR		A	B	C	U1	U2	X	∅ CONDUCTOR		A	B	C	U1	U2
	D1	D2							D1	D2					
C 6422AB	12-20	5-12	100	110	65	M10	M8	C 6101AB	25-32	12-20	100	165	100	M10	M10
C 6386AB	12-20	12-20	100	165	100	M10	M10	C 6292AB	25-32	20-25	100	165	100	M10	M10
C 6249AB	12-20	20-25	100	165	100	M10	M10	C 0696AB	25-32	32-36	100	170	100	M10	M10
C 6697AB	20-25	5-12	100	110	65	M10	M8	C 6942AB	32-36	12-20	100	170	100	M10	M10
C 6228AB	20-25	12-20	100	165	100	M10	M10	C 6141AB	36-40	12-20	100	175	100	M10	M10
C 6402AB	20-25	25-32	100	165	100	M10	M10	C 6573AB	36-40	20-25	100	175	100	M10	M10
C 6521AB	25-32	5-12	100	110	65	M10	M8								

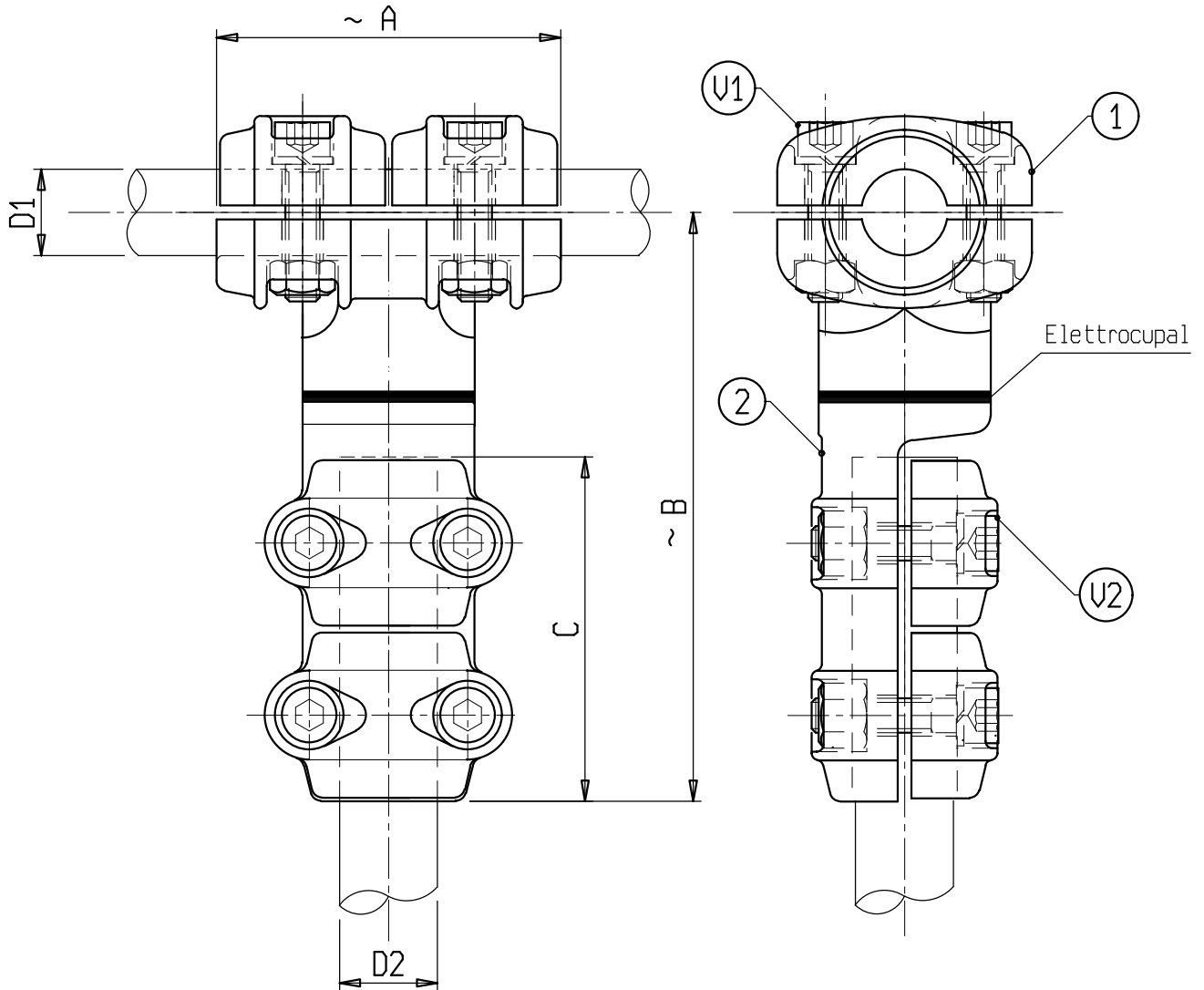
s.r.l. GORLA  
MORSETTERIE  
MILANO

TECHNICAL OFFICE

T BOLT CONNECTOR  
FOR CU CONDUCTOR RUN  
AND AL CONDUCTOR TAP

DRG. N. 02/BA/X

Rev.3 dated 06.07.12



Material: 1 Copper alloy; 2 Aluminium alloy  
Bolts: Stainless steel

X	∅ CONDUCTOR		A	B	C	U1	U2	X	∅ CONDUCTOR		A	B	C	U1	U2
	D1	D2							D1	D2					
C 6386BA	12-20	12-20	100	165	100	M10	M10	C 6101BA	25-32	12-20	100	165	100	M10	M10
C 6249BA	12-20	20-25	100	165	100	M10	M10	C 6292BA	25-32	20-25	100	165	100	M10	M10
C 6492BA	12-20	25-32	100	165	100	M10	M10	C 0696BA	25-32	32-36	100	170	100	M10	M10
C 6418BA	12-20	32-36	100	170	100	M10	M10	C 6910BA	25-32	36-40	100	180	100	M10	M10
C 6228BA	20-25	12-20	100	165	100	M10	M10	C 6573BA	36-40	20-25	100	175	100	M10	M10
C 6402BA	20-25	25-32	100	165	100	M10	M10	C 5971BA	36-40	30-36	100	180	100	M10	M10
C 0271BA	20-25	32-36	100	165	100	M10	M10								

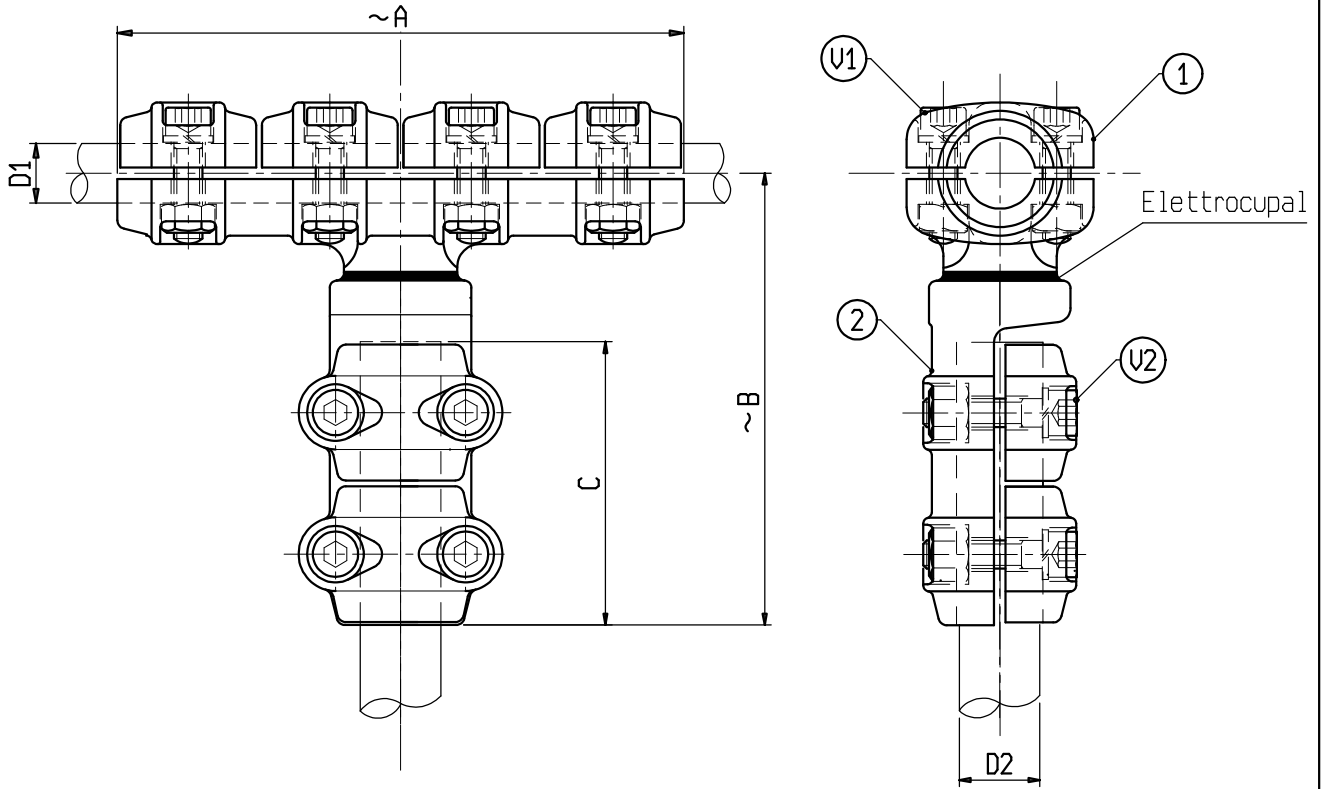
s.r.l. GORLA  
MORSETTERIE  
MILANO

TECHNICAL OFFICE

STRAIGHT AND T CONNECTOR  
FOR Al CONDUCTOR RUN  
AND Cu CONDUCTOR TAP

DRG. N. 03/AB/X

Rev.1 dated 07.08.19



Material: 1 Aluminium alloy; 2 Copper alloy  
Bolts: Stainless steel

X	∅ CONDUCTOR		A	B	C	U1	U2	X	∅ CONDUCTOR		A	B	C	U1	U2
	D1	D2							D1	D2					
C 6411AB	12-20	5-12	200	110	65	M10	M8	C 1075AB	25-32	12-20	200	170	100	M10	M10
C 1630AB	12-20	12-20	200	110	65	M10	M10	C 0109AB	32-36	12-20	200	170	100	M10	M10
C 6410AB	20-25	5-12	200	110	65	M10	M8	C 6498AB	55-60	12-20	200	180	100	M10	M10
C 6645AB	20-25	25-32	200	165	100	M10	M10								
C 6409AB	25-32	5-12	200	110	65	M10	M8								

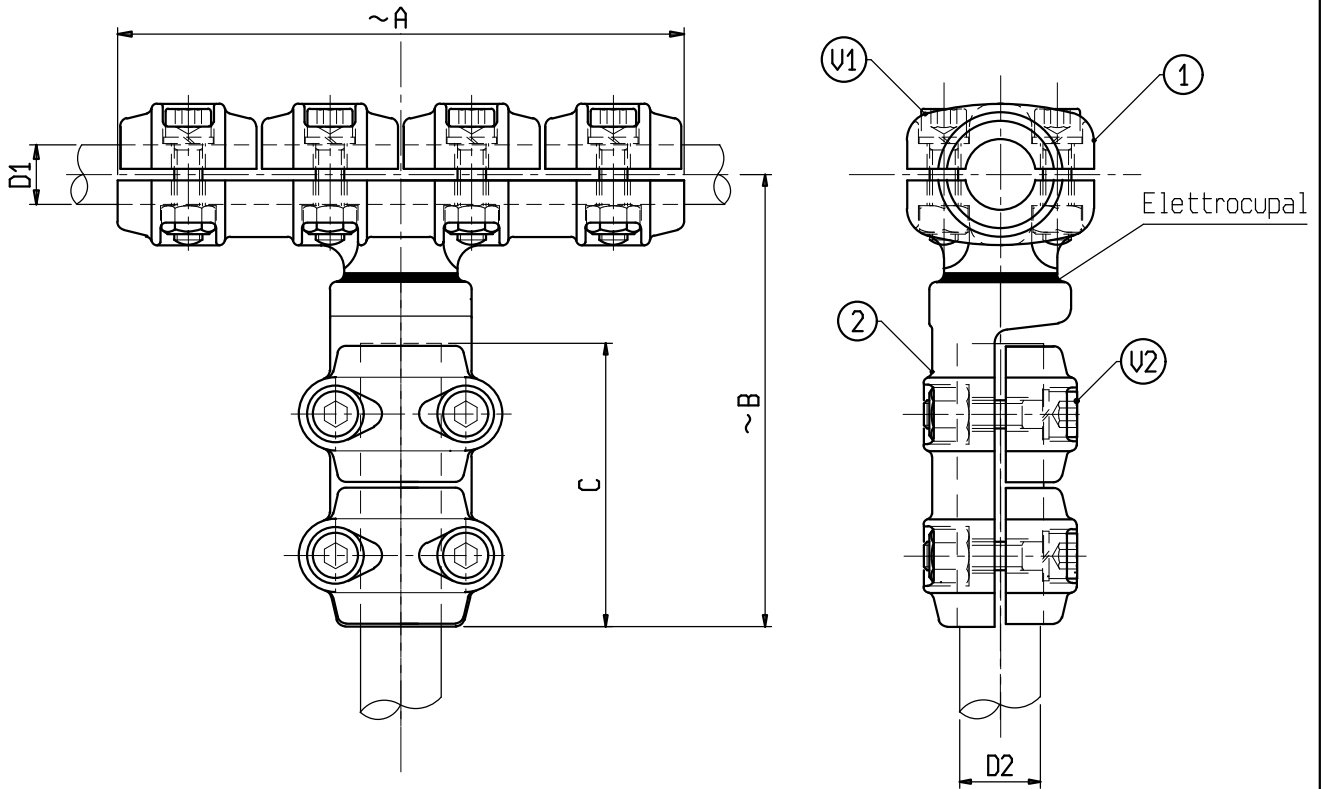
s.r.l. GORLA  
MORSETTERIE  
MILANO

TECHNICAL OFFICE

STRAIGHT AND T CONNECTOR  
FOR CU CONDUCTOR RUN  
AND AL CONDUCTOR TAP

DRG. N. 03/BA/X

Rev.1 date 06.03.07



Material: 1 Copper alloy; 2 Aluminium alloy  
Bolts: Stainless steel

X	∅ CONDUCTOR		A	B	C	U1	U2	X	∅ CONDUCTOR		A	B	C	U1	U2
	D1	D2							D1	D2					
C 0226BA	12-20	32-36	200	170	100	M10	M10	C 1075BA	25-32	12-20	200	170	100	M10	M10
C 6498BA	12-20	55-60	200	180	100	M10	M10	C 6452BA	25-32	20-25	200	170	100	M10	M10
C 0096BA	20-25	36-40	200	170	100	M10	M10								
C 6645BA	20-25	25-32	200	170	100	M10	M10								



