

s.r.l. GORLA
MORSETTERIE
MILANO

TECHNICAL OFFICE

SERVICE TAP
SECTION 10 - 25 mmq

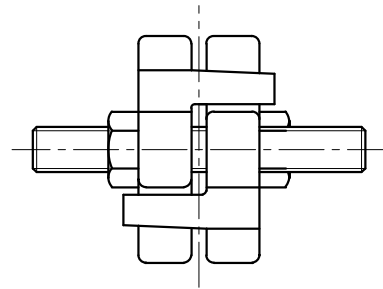
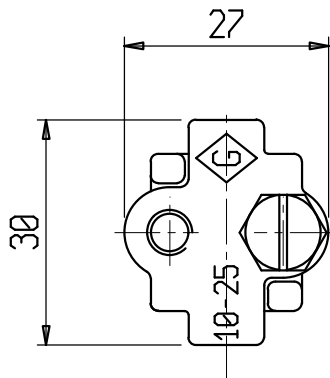
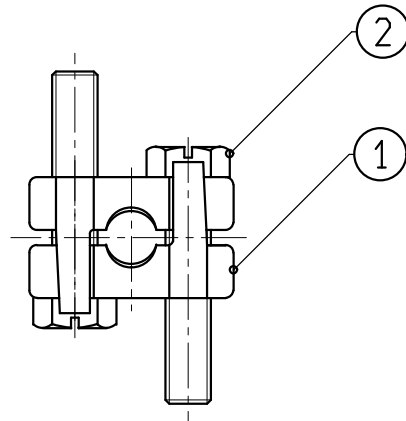
DRG. N. LR2578UN

SCALE 1:1

DRAWN BORGHI DATE 09.12.75

APPROVED U.G. DATE 09.12.75

N.	DATE	UPDATES	DRAWN	APPROVED
1	01.12.03	CAD DRAWN	M.G.	U.G.



2	HEX. SCREW M6x30	5927INO	2	ST.STEEL X5CrNi1810 UNI EN 10088	
1	CLAMP (BODY)	LR 2584	2	Copper a1.Cu A1 Fe 2-C UNI EN 1982	
ITEM	DESCRIPTION	N° DRG.	N° PCS.	MATERIAL	NOTE