

s.r.l. GORLA
MORSETTERIE
MILANO

TECHNICAL OFFICE

PARALLEL GROOVE CLAMP
WITH 2 BOLTS
FOR CU CONDUCTOR

DRG. N. 07/LR/X

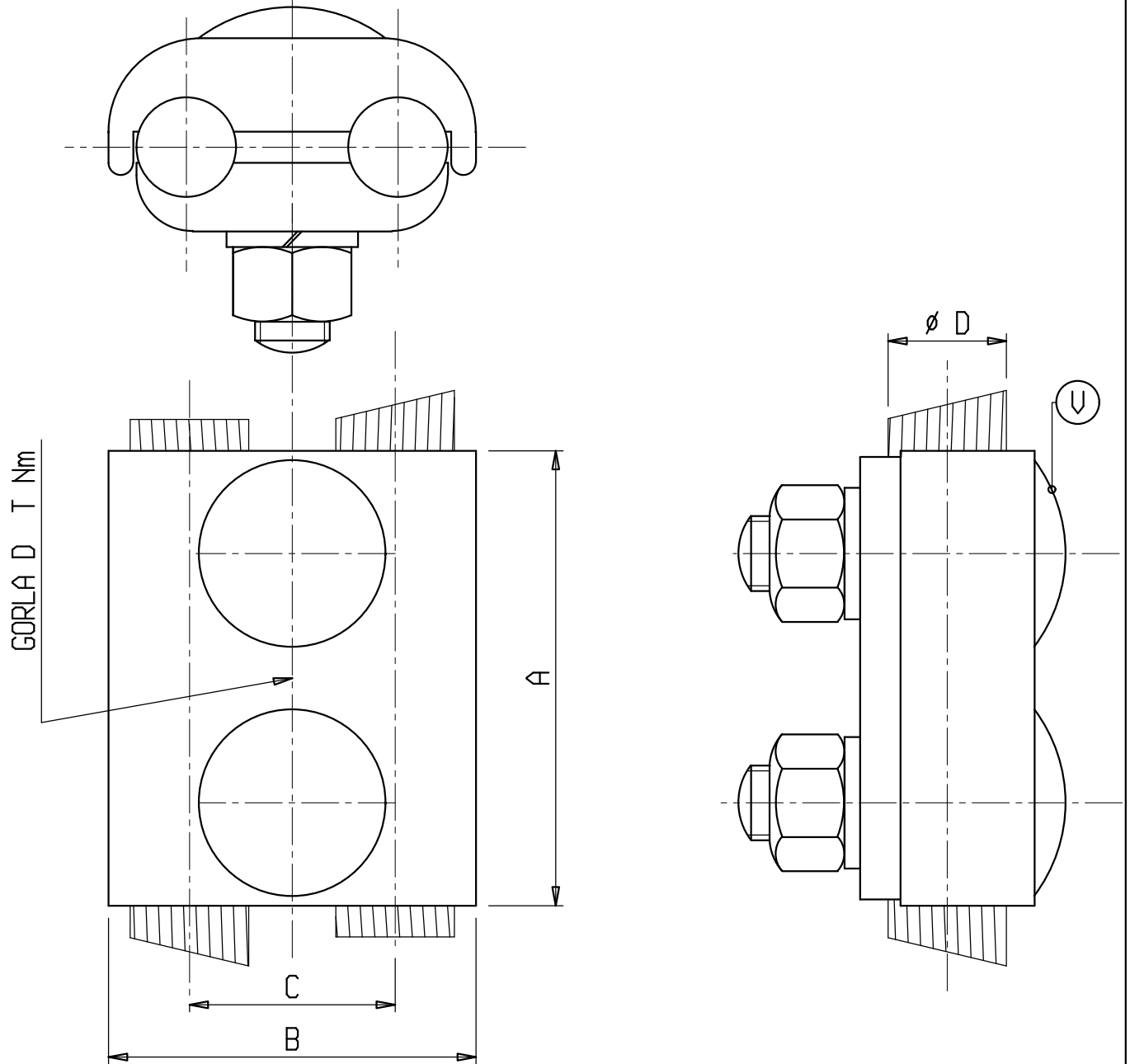
SCALE

DRAWN

DATE

APPROVED

DATE



Material: Copper alloy
Bolts: Stainless steel

X	∅ COND.	A	B	C	T	U	X	∅ COND.	A	B	C	T	U
	D							D					
LR 3227	3 - 4	30	24	14	10	M5	LR 3109	9 - 10	52	39	20	20	M8
LR 2921	4 - 5	30	26	14	10	M5	LR 3338	10 - 11,5	60	48	25	30	M10
LR 3226	5 - 6	38	28	15	10	M6	LR 3509	11,5 - 16	73	59	33	40	M12
LR 3090	6 - 7	42	29,5	16,5	10	M6	LR 3663	16 - 19	85	66	34	40	M12
LR 3453	7 - 9	46	38	19	20	M8							