

s.r.l. GORLA
MORSETTERIE
MILANO

TECHNICAL OFFICE

PARALLEL GROOVE CLAMP
WITH 3 BOLTS
FOR ACSR, AAC and AAAC CONDUCTORS
AND GROUND WIRES

DRG. N. 02/LR/X

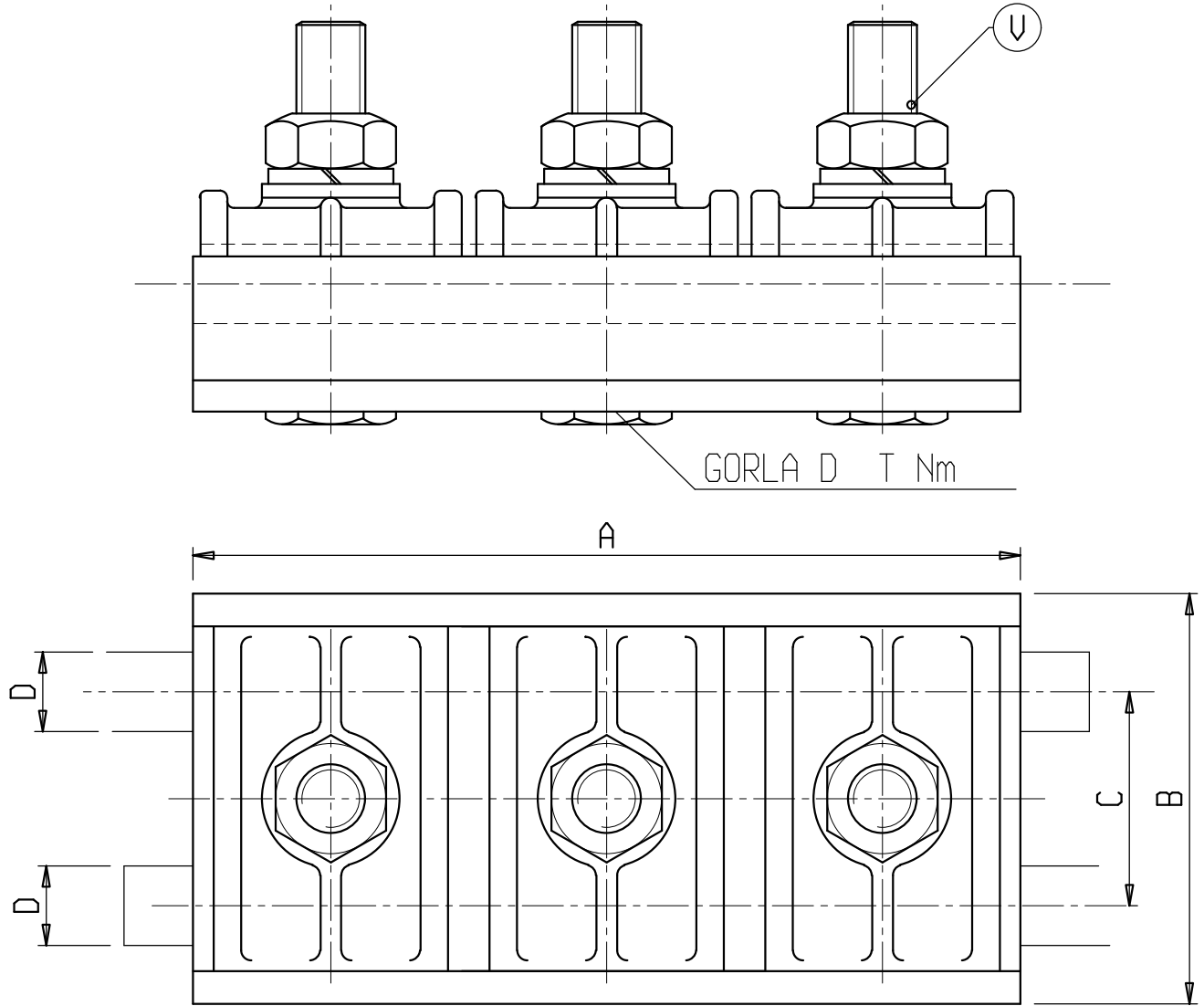
SCALE

DRAWN

DATE

APPROVED

DATE



Material: Aluminium alloy

Bolts: Stainless steel

X	∅ COND.	A	B	C	T	U	X	∅ COND.	A	B	C	T	U
	D												
LR 3628	4 - 6	66	38	19	20	M8	LR 4543	23 - 27	135	95	45	40	M12
LR 3629	6 - 8	78	42	21	30	M10	LR 4557	27 - 31	210	101	50	40	M12
LR 1511	8 - 10	84	46	23	30	M10							
LR 3473	10 - 12	90	48	24	30	M10							
LR 3645	12 - 16	108	59	31	40	M12							
LR 3475	16 - 19	135	70	36	40	M12							
LR 3992	19 - 23	135	80	40	40	M12							

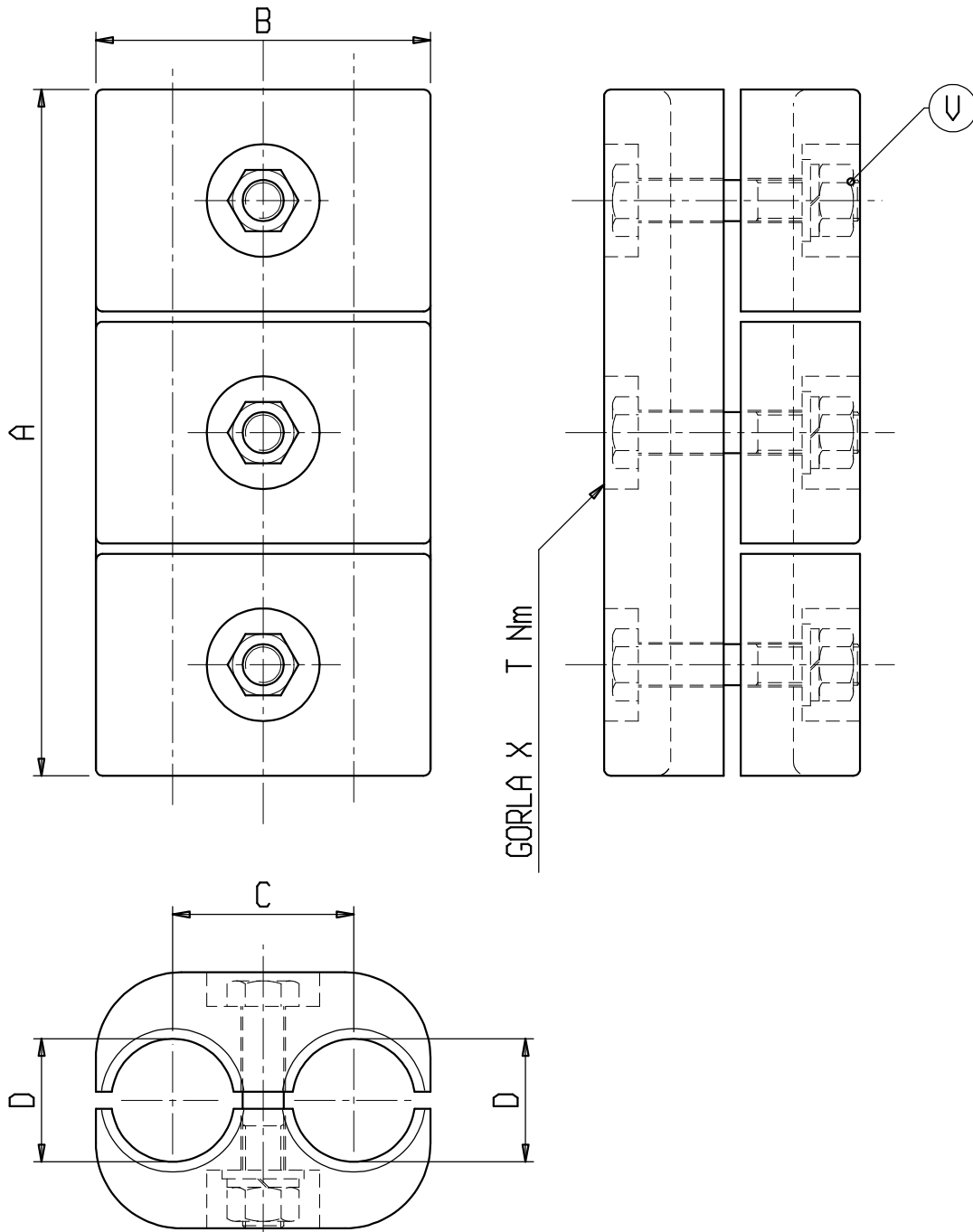
s.r.l. GORLA
MORSETTERIE
MILANO

TECHNICAL OFFICE

PARALLEL GROOVE CLAMP
WITH 3 BOLTS
FOR A1 CONDUCTOR
(ANTI-SPARKLING)

DRG. N. 05/LR/X

Rev.4 dated 11.05.15



Material: Aluminium alloy
Bolts: Stainless steel

X	∅ COND.	A	B	C	T	U	X	∅ COND.	A	B	C	T	U
	D							D					
LR 1355	12-16	201	98	53	40	M12	LR 1346	23-28	201	118	58	40	M12
LR13551445	14.45	201	98	53	40	M12	LR 3295	28-32	201	110	53	40	M12
LR13551625	16.25	201	98	53	40	M12							
LR 6482	19-23	201	110	53	40	M12							
LR64822275	22.75	201	110	53	40	M12							

