

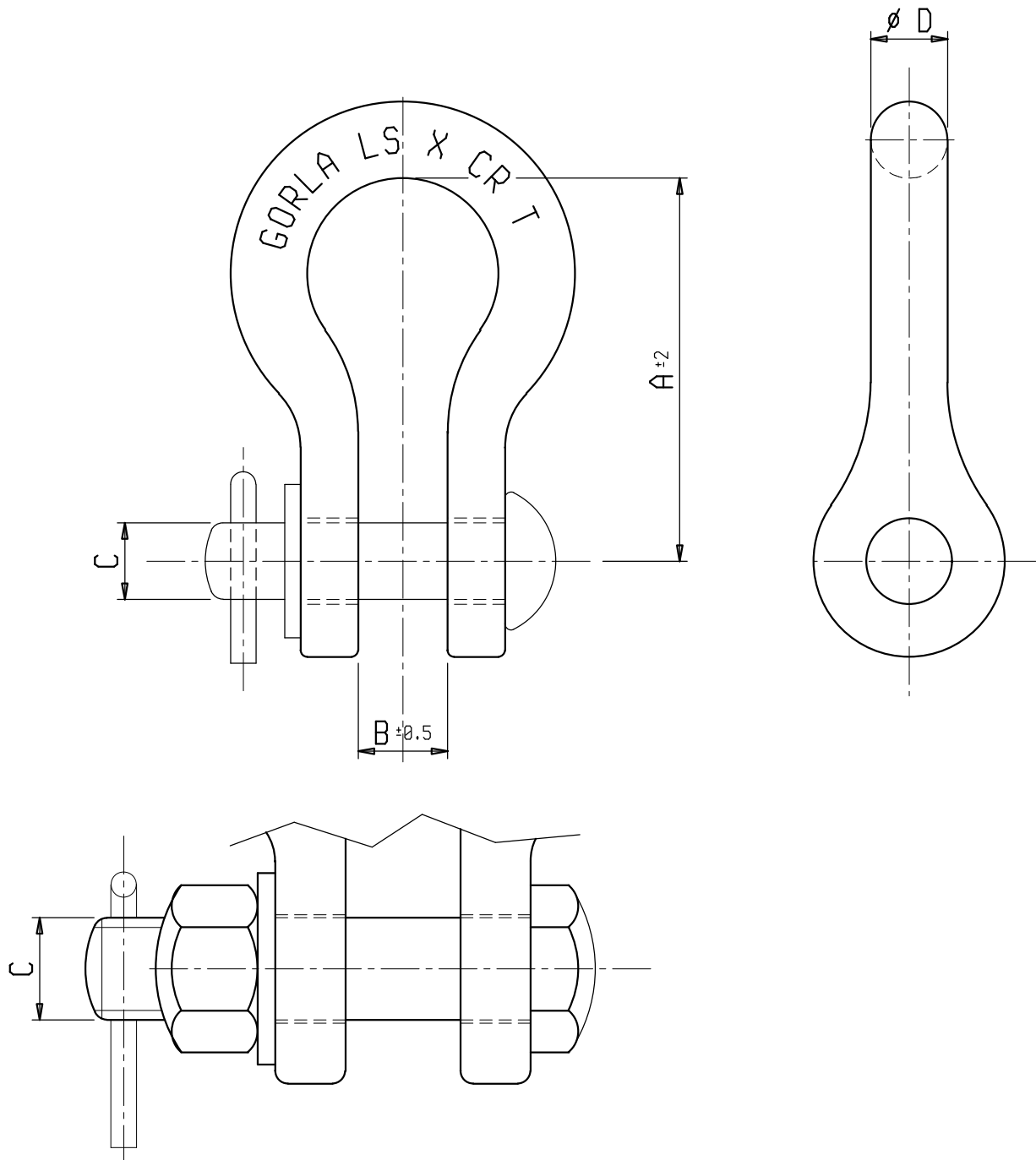
s.r.l. GORLA  
MORSETTERIE  
MILANO

STRAIGHT SHACKLES

DRG. N. MT1/X

Rev.1 dated 14.09.06

TECHNICAL OFFICE



Material: hot dip galv.d steel. Pin: stainless steel

| X       | A  | B  | C         | D  | CR [t] | X | A | B | C | D | CR [t] |
|---------|----|----|-----------|----|--------|---|---|---|---|---|--------|
| LS 2514 | 60 | 14 | $\phi$ 12 | 12 | 4      |   |   |   |   |   |        |
| LS 1647 | 65 | 18 | M 16      | 16 | 7      |   |   |   |   |   |        |

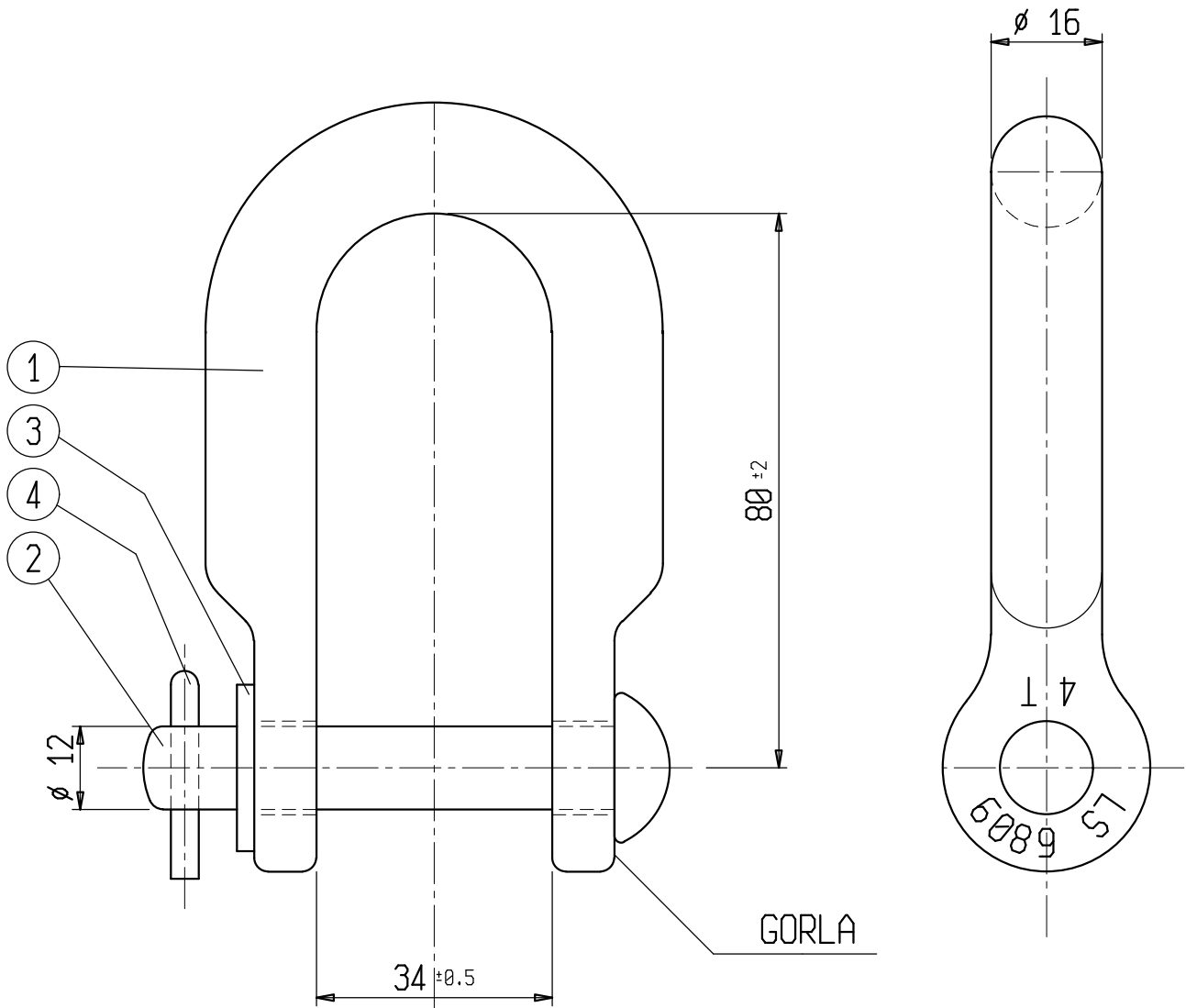
s.r.l. GORLA  
MORSETTERIE  
MILANO

STRAIGHT SHACKLE  
BREAKING LOAD 40 kN

DRG. N. LS 6809

Rev.1 dated 14.09.06

TECHNICAL OFFICE



| 4    | PIN A4x25    | 791         | 1          | ST. STEEL |                              |
|------|--------------|-------------|------------|-----------|------------------------------|
| 3    | WASHER 14x24 | 787         | 1          | STEEL     | HOT DIP GALV.D<br>(ISO 1461) |
| 2    | PIN 12x70    | 6830        | 1          | STEEL     | HOT DIP GALV.D<br>(ISO 1461) |
| 1    | SHACKLE      | LS 6809 BIS | 1          | STEEL     | HOT DIP GALV.D<br>(ISO 1461) |
| ITEM | DESCRIPTION  | N° DRG.     | N°<br>PCS. | MATERIAL  | NOTE                         |

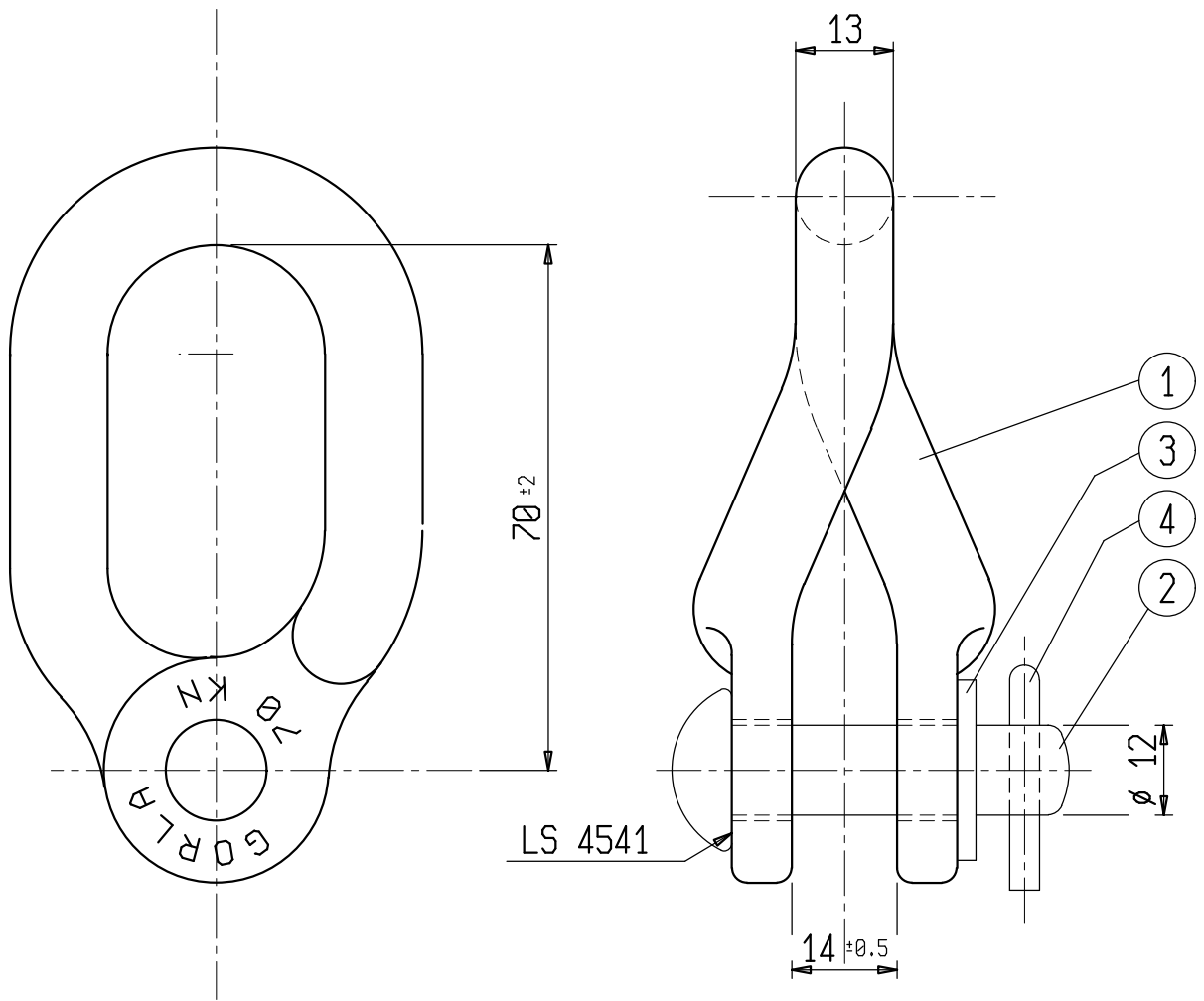
s.r.l. GORLA  
MORSETTERIE  
MILANO

TWISTED SHACKLE

DRG. N. LS 4541

Rev.1 dated 14.09.06

TECHNICAL OFFICE



| 4    | PIN A4x25    | 791         | 1          | ST. STEEL |                              |
|------|--------------|-------------|------------|-----------|------------------------------|
| 3    | WASHER 14x24 | 787         | 1          | STEEL     | HOT DIP GALV.D<br>(ISO 1461) |
| 2    | PIN 12x45    | 789         | 1          | STEEL     | HOT DIP GALV.D<br>(ISO 1461) |
| 1    | SHACKLE      | LS 4541 BIS | 1          | STEEL     | HOT DIP GALV.D<br>(ISO 1461) |
| ITEM | DESCRIPTION  | N° DRG.     | N°<br>PCS. | MATERIAL  | NOTE                         |

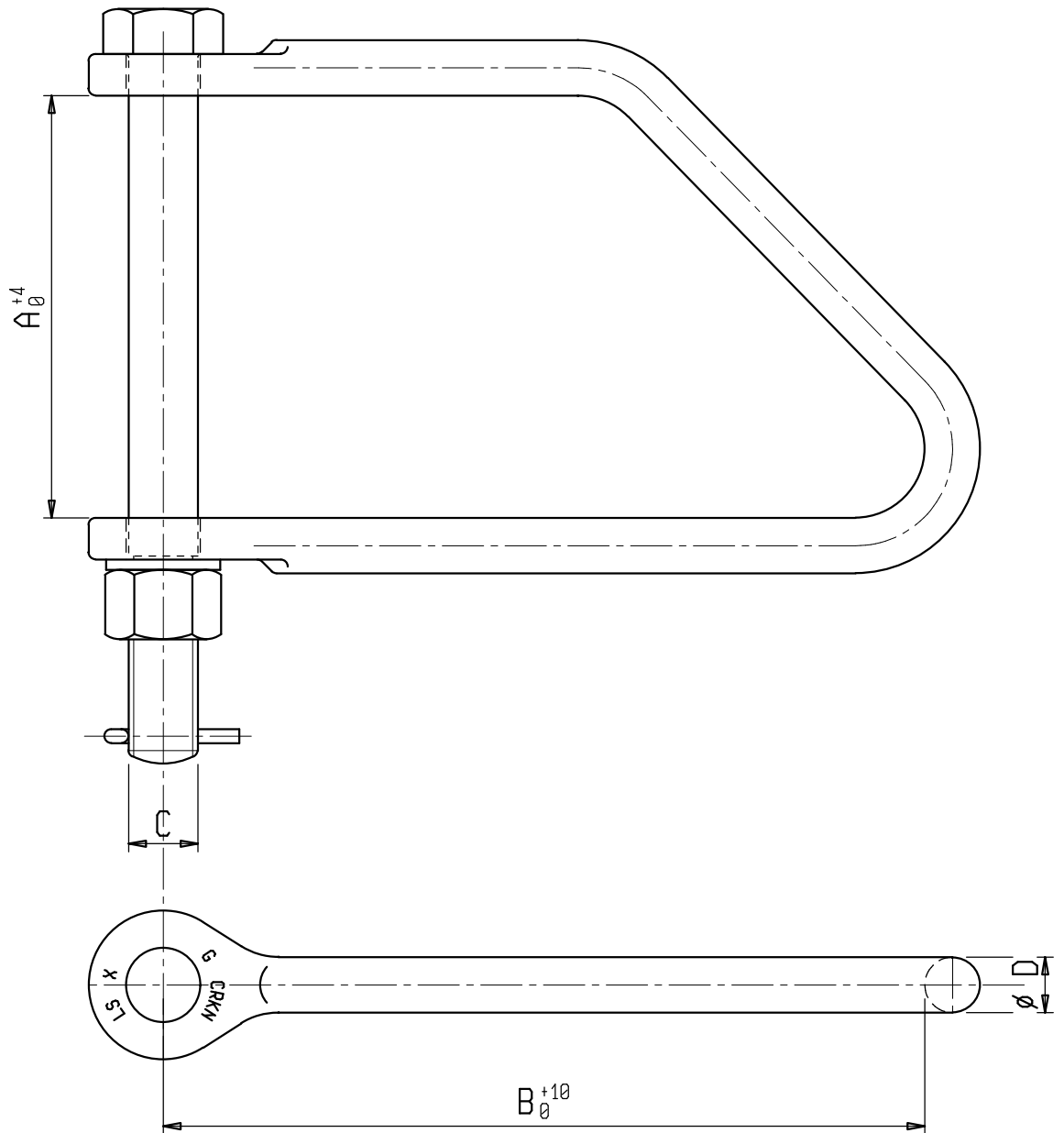
s.r.l. GORLA  
MORSETTERIE  
MILANO

STRAIN SHACKLES

DRG. N. MT2/X

Rev.1 dated 14.09.06

TECHNICAL OFFICE



Material: hot dip galv.d steel. Pin: stainless steel

| X          | A   | B   | C   | D  | CR [KN] | X       | A   | B   | C   | D  | CR [KN] |
|------------|-----|-----|-----|----|---------|---------|-----|-----|-----|----|---------|
| LS 0617    | 70  | 100 | M20 | 16 | 70      | LS 2563 | 172 | 200 | M20 | 16 | 70      |
| LS 0617M18 | 70  | 100 | M18 | 16 | 70      |         |     |     |     |    |         |
| LS 0624    | 122 | 220 | M20 | 16 | 70      |         |     |     |     |    |         |

s.r.l. GORLA  
MORSETTERIE  
MILANO

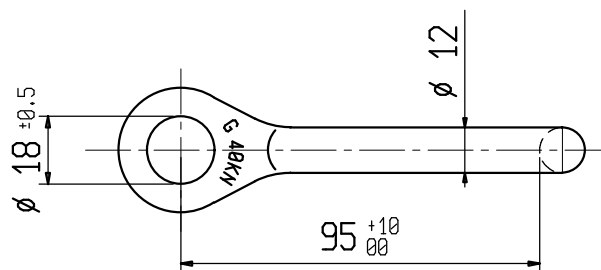
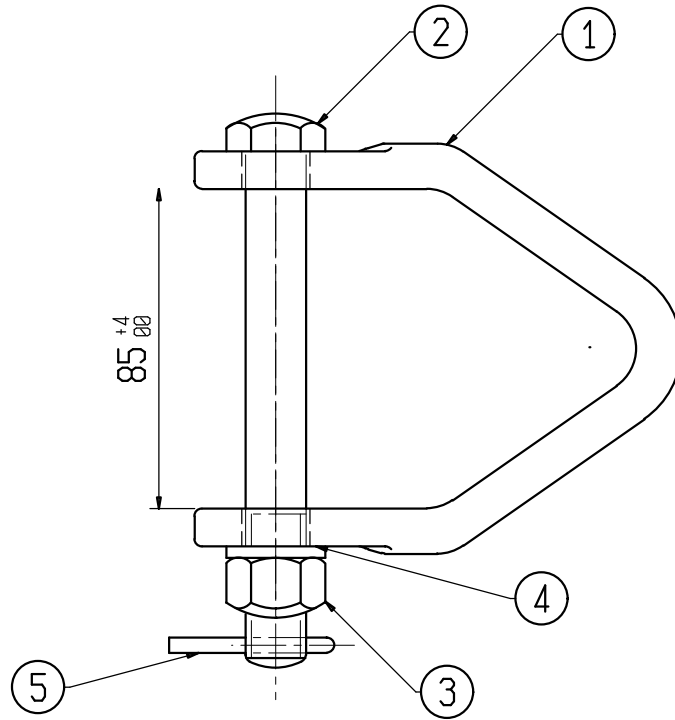
TECHNICAL OFFICE

STRAIN SHACKLE

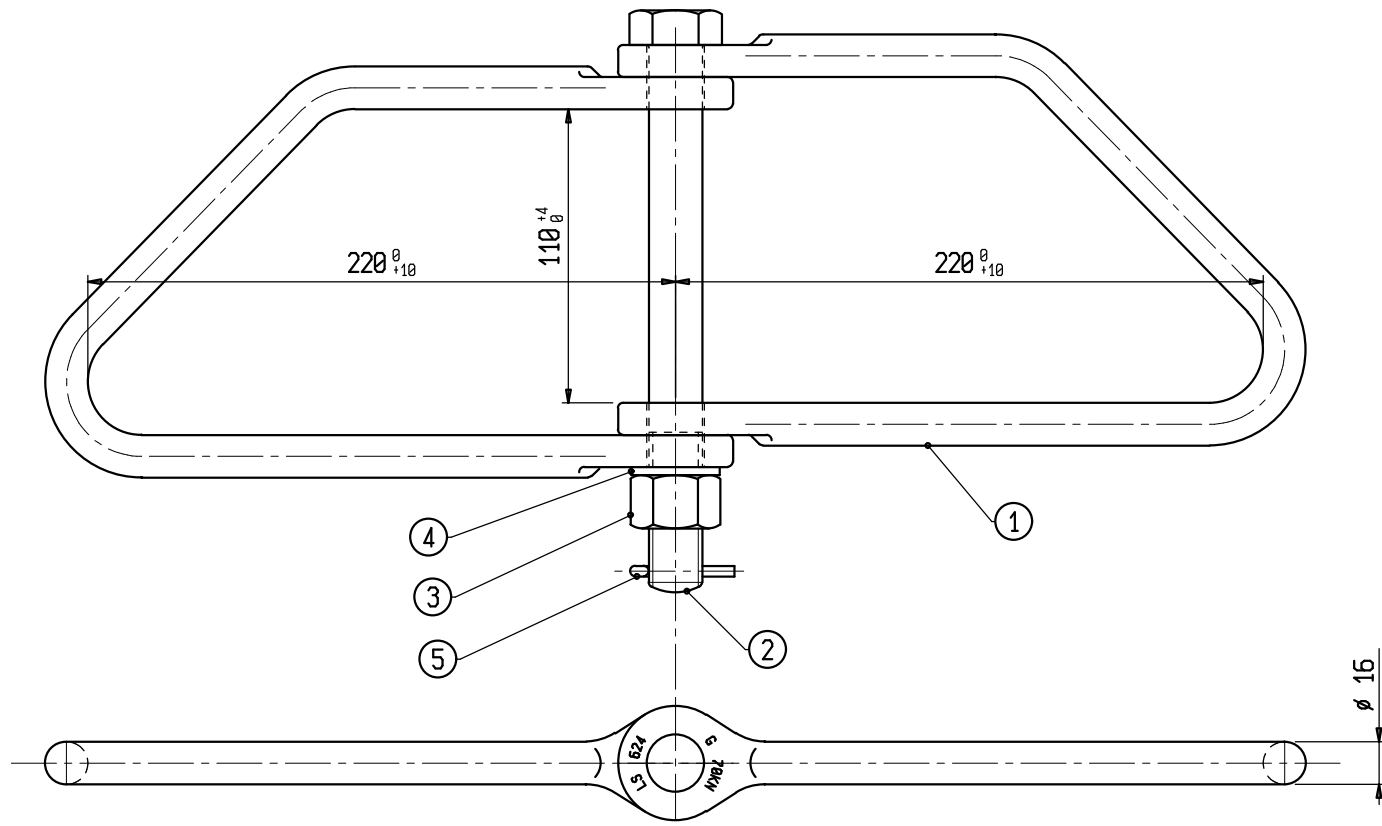
OPENING mm.85

DRG. N. LS-637

Rev.1 dated 14.09.06



| 5    | PIN A4x36    | 802        | 1          | ACC. INOX |                              |
|------|--------------|------------|------------|-----------|------------------------------|
| 4    | WASHER 18x30 | 776        | 1          | ACCIAIO   | HOT DIP GALV.D<br>(ISO 1461) |
| 3    | NUT M16      | 5953       | 1          | ACCIAIO   | HOT DIP GALV.D<br>(ISO 1461) |
| 2    | BOLT M16x135 | 5905       | 1          | STEEL     | HOT DIP GALV.D<br>(ISO 1461) |
| 1    | SHACKLE      | LS 637 bis | 1          | STEEL     | HOT DIP GALV.D<br>(ISO 1461) |
| ITEM | DESCRIPTION  | N° DRG.    | N°<br>PCS. | MATERIAL  | NOTE                         |



| 5    | PIN A4x36    | 802        | 1        | ST.STEEL |                              |
|------|--------------|------------|----------|----------|------------------------------|
| 4    | WASHER 22x37 | 808        | 1        | STEEL    | HOT DIP GALV.D<br>(ISO 1461) |
| 3    | NUT M20      | 807        | 1        | STEEL    | HOT DIP GALV.D<br>(ISO 1461) |
| 2    | BOLT M20x205 | 805        | 1        | STEEL    | HOT DIP GALV.D<br>(ISO 1461) |
| 1    | SHACKLE      | LS 624 bis | 2        | STEEL    | HOT DIP GALV.D<br>(ISO 1461) |
| ITEM | DESCRIPTION  | N° DRG.    | N° PEZZI | MATERIAL | NOTE                         |

s.r.l. GORLA  
MORSETTERIE  
MILANO  
TECHNICAL OFFICE

DOUBLE STRAIN SHACKLE  
OPENING mm.110

Rev.1 dated 14.09.06  
DRG. N. LS 624D