

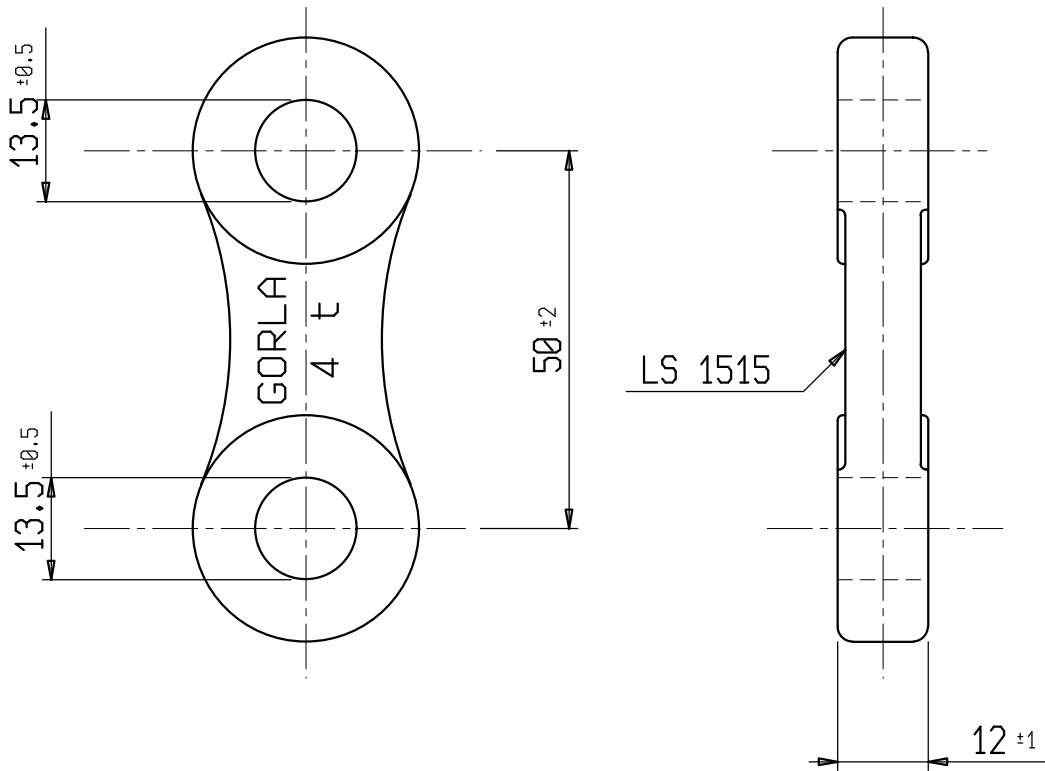
s.r.l. GORLA
MORSETTERIE
MILANO

TECHNICAL OFFICE

EXTENSION LINK
BREAKING LOAD 40 kN

DRG. N. LS 1515

Rev.1 dated 14.09.06



1	EXTENSION LINK	LS 1515 BIS	1	STEEL	HOT DIP GALV.D (ISO 1461)
ITEM	DESCRIPTION	N° DRG.	N° PCS.	MATERIAL	NOTE

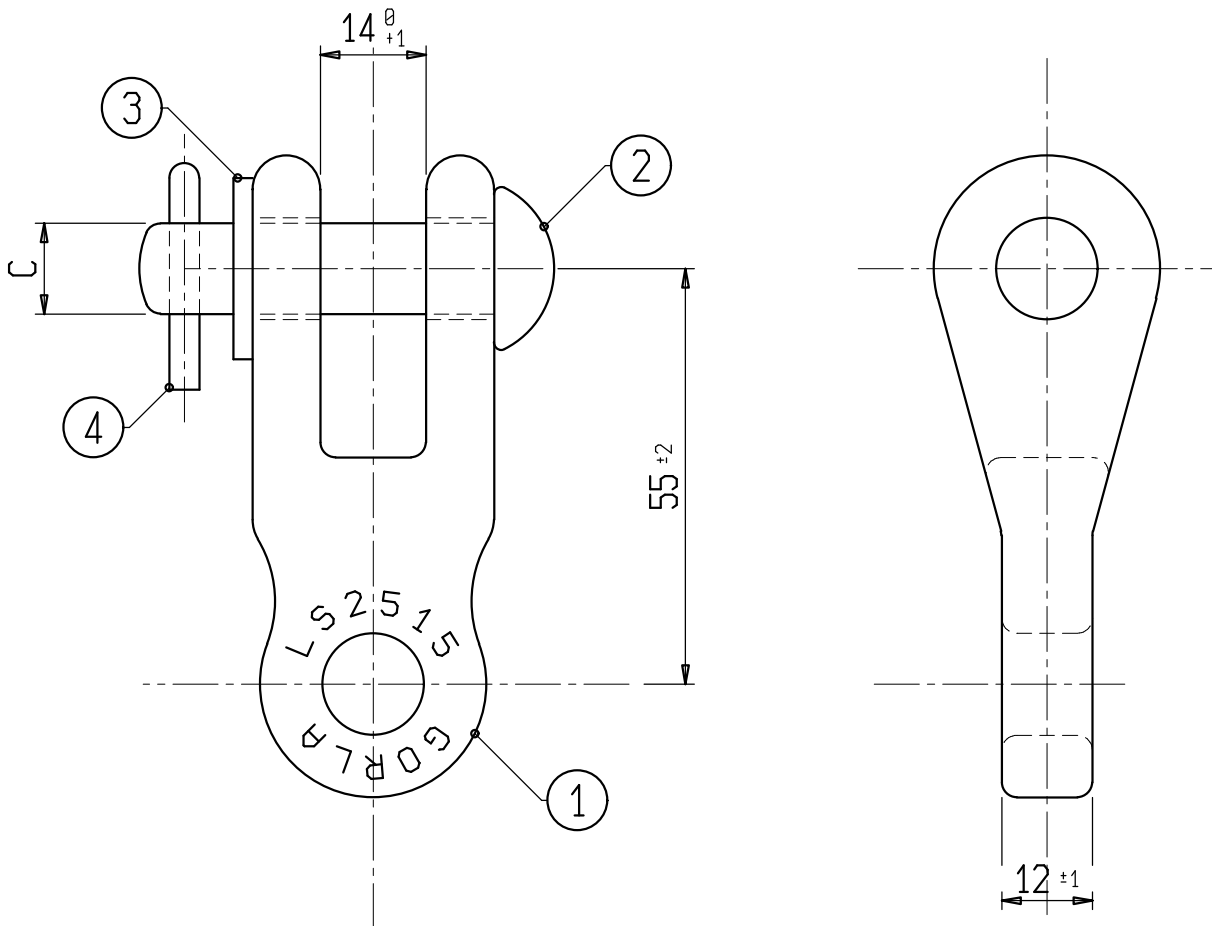
s.r.l. GORLA
MORSETTERIE
MILANO

TECHNICAL OFFICE

90° EXTENSION LINK
BREAKING LOAD 40 kN

DRG. N. LS 2515

Rev.1 dated 14.09.06



4	PIN A4x25	791	1	ST. STEEL	
3	WASHER 14x24	787	1	STEEL	HOT DIP GALV.D (ISO 1461)
2	PIN 12x45	789	1	STEEL	HOT DIP GALV.D (ISO 1461)
1	EXTENSION LINK	LS 2515 BIS	1	STEEL	HOT DIP GALV.D (ISO 1461)
ITEM	DESCRIPTION	N° DRG.	N° PCS.	MATERIAL	NOTE

s.r.l. GORLA
MORSETTERIE
MILANO

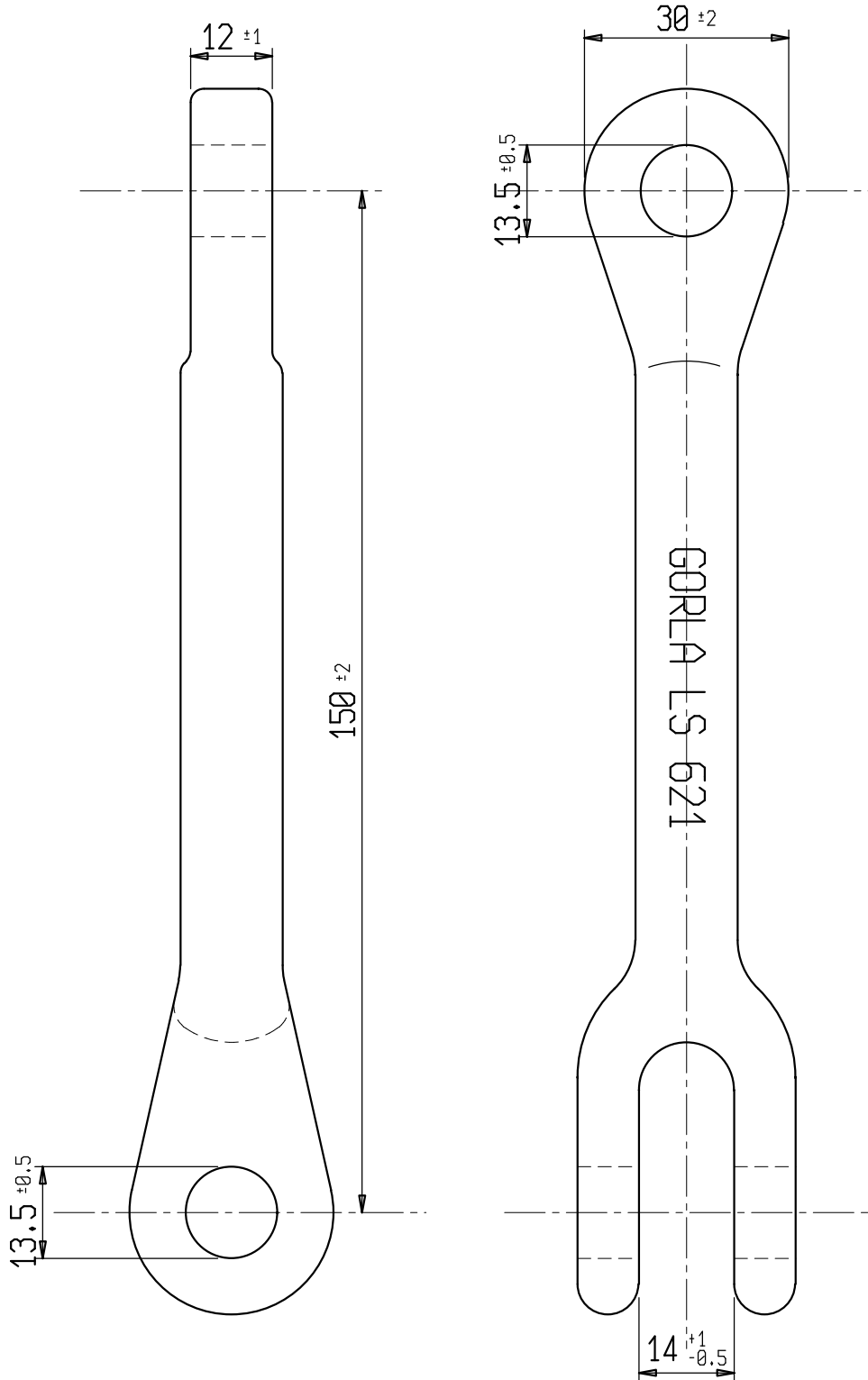
TECHNICAL OFFICE

90° EXTENSION LINK

BREAKING LOAD 50 kN

DRG. N. LS 621

Rev.1 dated 14.09.06



1	EXTENSION LINK	LS 621 bis	1	ACCIAIO	HOT DIP GALV.D (ISO 1461)
ITEM	DESCRIPTION	N° DRG.	N° PCS.	MATERIAL	NOTE

s.r.l. GORLA
MORSETTERIE
MILANO

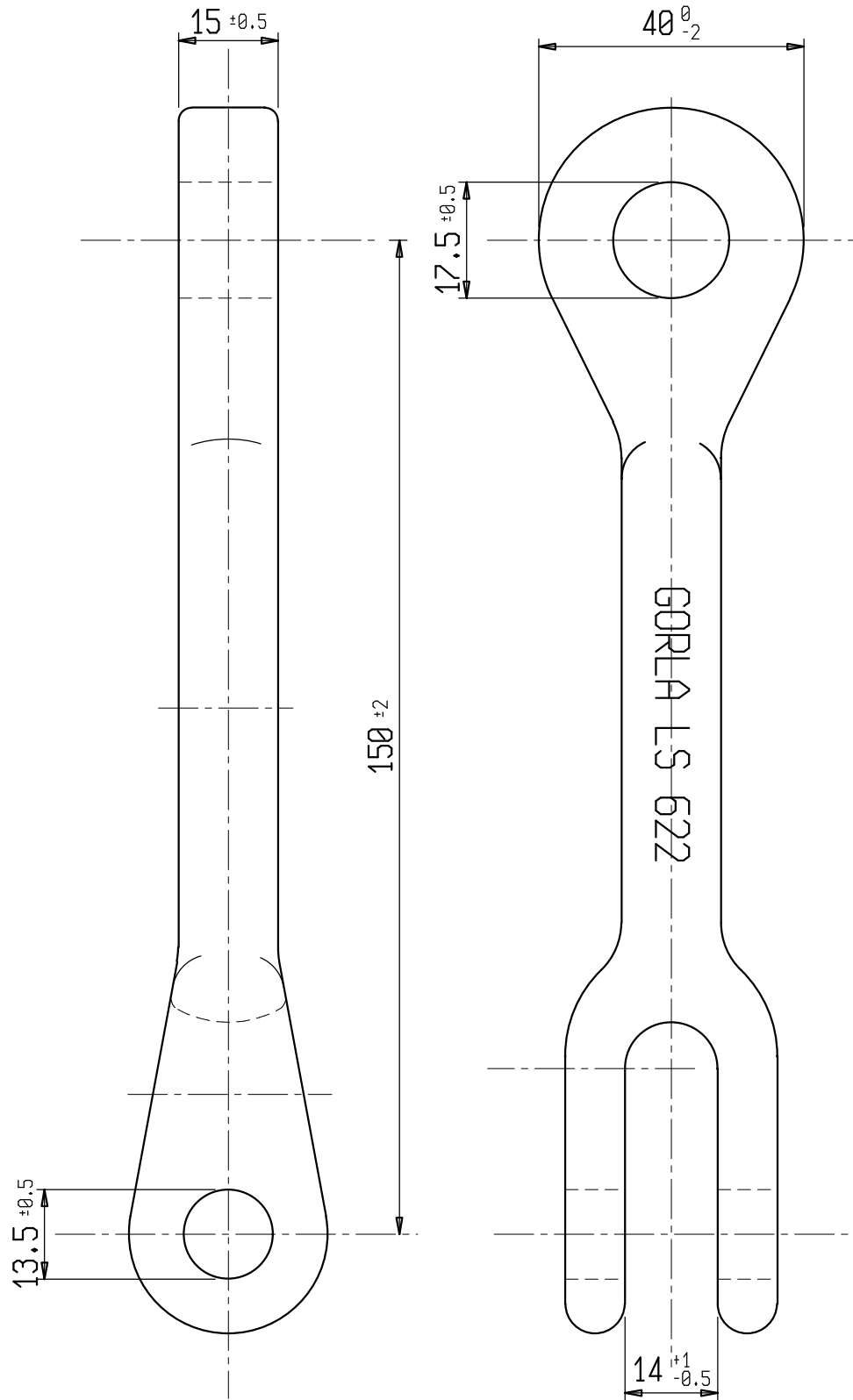
TECHNICAL OFFICE

90° EXTENSION LINK

BREAKING LOAD 50 kN

DRG. N. LS 622

Rev.1 dated 14.09.06



1	EXTENSION LINK	LS 622 bis	1	ACCIAIO	HOT DIP GALV.D (ISO 1461)
ITEM	DESCRIPTION	N° DRG.	N° PCS.	MATERIAL	NOTE