

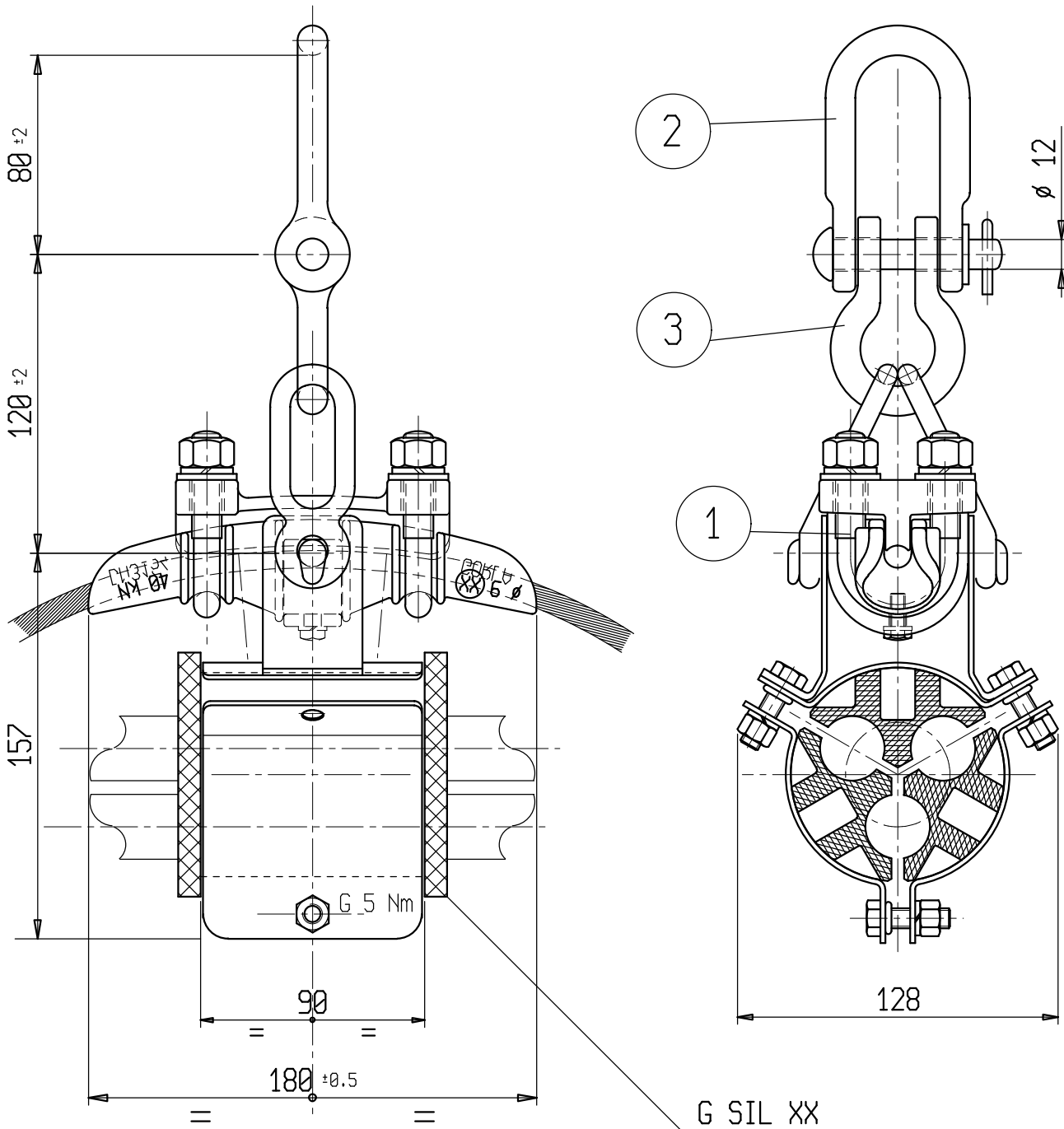
s.r.l. GORLA
MORSETTERIE
MILANO

TECHNICAL OFFICE

SUSPENSION CLAMP
FOR PRE-STRAINED CABLE
WITH ALUMOWELD RUNNING WIRE $\phi 9$
BREAKING LOAD 40 kN

DRG. N. DM 3164

Rev.1 dated 14.09.06



3	STRAIGHT SHACKLE	LS 2514BIS	2		
2	STRAIGHT SHACKLE	LS 6809	1		
1	SUSPENSION EQUIPMENT	LP 6810	1		
ITEM	DESCRIPTION	N° DRG.	N° PCS.	MATERIAL	NOTE