

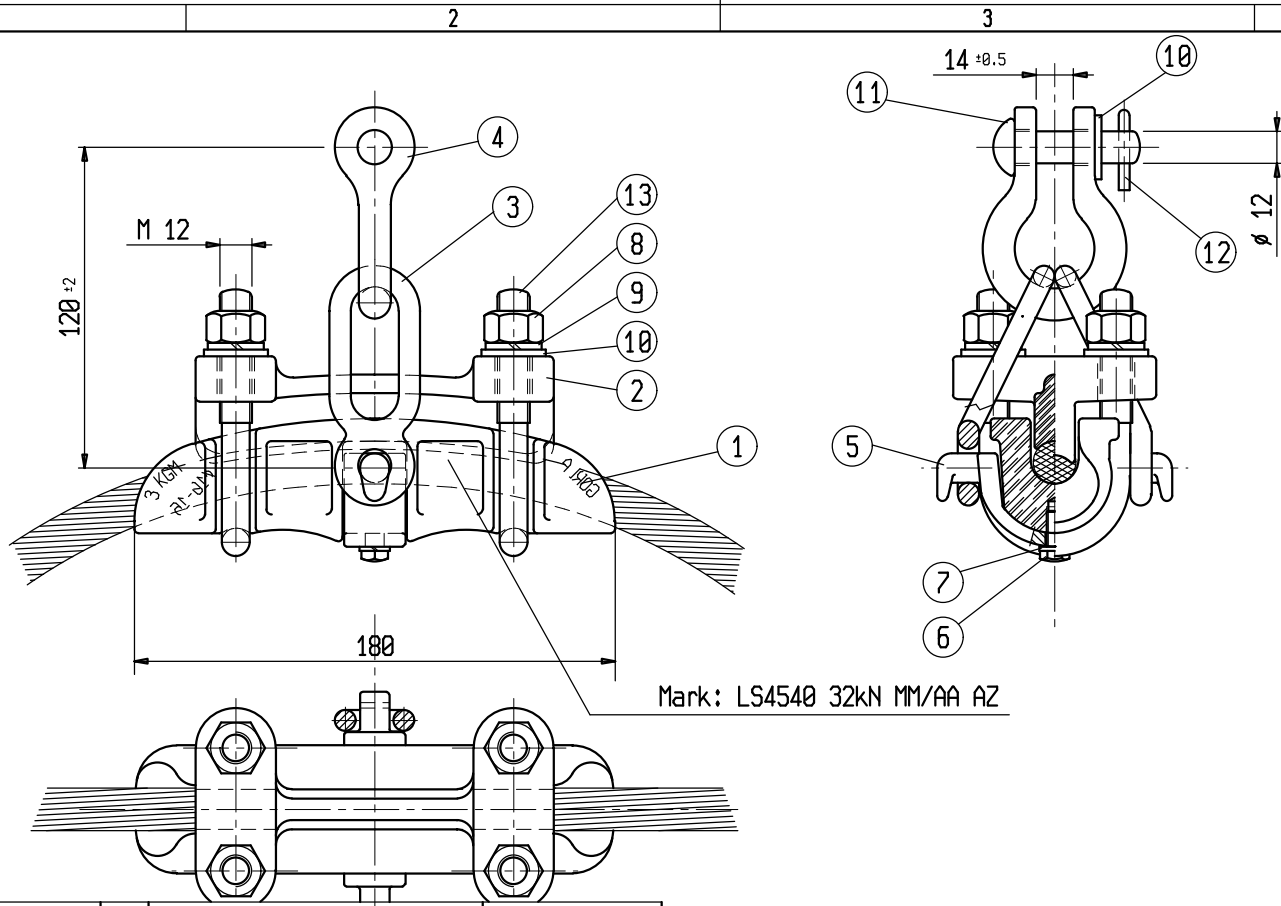
9	PIN A 4x25	791	1	Acc. Inox	
8	WASHER 14x24	787	1	STEEL	HOT DIP GALV.D (ISO 1461)
7	PIN Ø12x45	789	1	STEEL	HOT DIP GALV.D (ISO 1461)
6	WASHER 10,5x21	5908	4	ST.STEEL	
5	SPRING WASHER A 10	710	4	ST.STEEL	
4	NUT M10	3316	4	ST.STEEL	
3	U-BOLT M10x55	4169	2	ST.STEEL	
2	KEEPER	LS 1160 GA	1	Al ALLOY	
1	CLAMP	LS 5227 GAB	1	Al ALLOY	
ITEM	DESCRIPTION	N° DRG.	N° PCS.	MATERIAL	NOTE

s.r.l. GORLA
MORSETTERIE
MILANO
TECHNICAL OFFICE

SUSPENSION CLAMP
FOR ACSR, AAC AND AAAC
CONDUCTORS Ø 7 - 11 mm
BREAKING LOAD 24 kN

Rev.1 dated 14.09.06

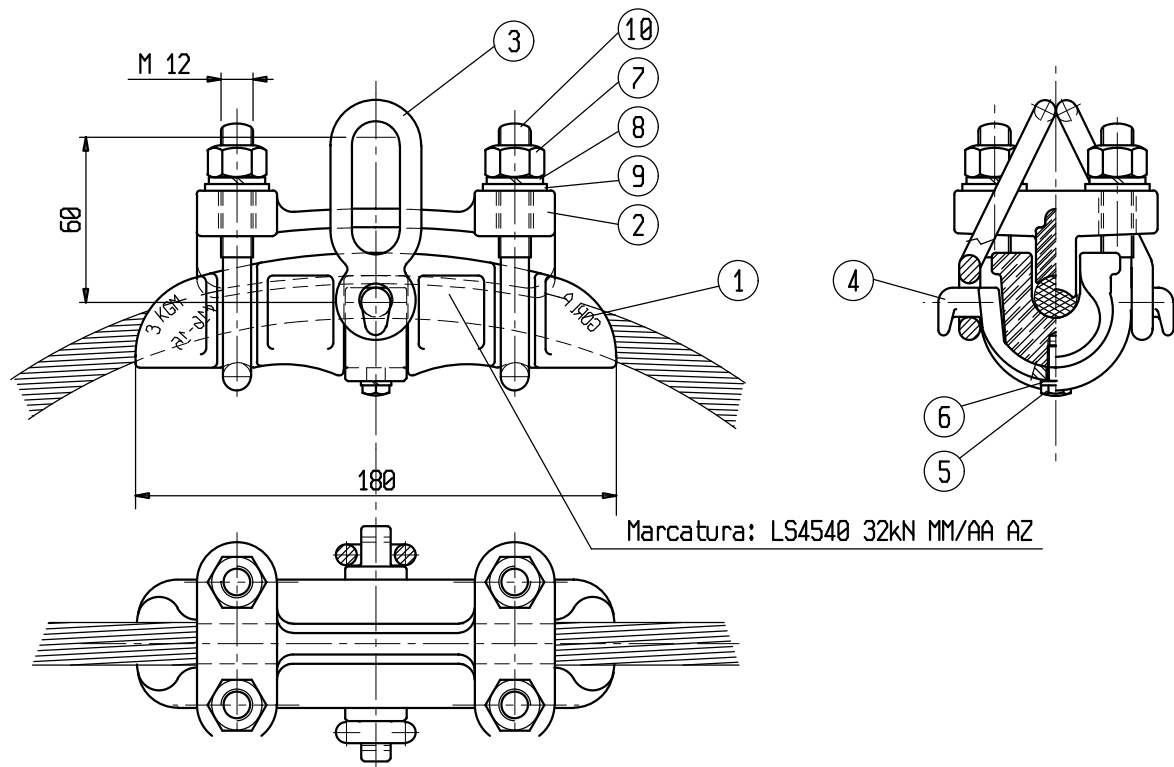
DRG. N. LS 5227GA



Mark: LS4540 32kN MM/AA AZ

13	U-BOLT M12x100	3904	2	STEEL	HOT DIP GALV.D (ISO 1461)
12	PIN A4x25	791	1	ST.STEEL	
11	PIN 12x45	789	1	STEEL	HOT DIP GALV.D (ISO 1461)
10	WASHER 14x24	787	5	STEEL	HOT DIP GALV.D (ISO 1461)
9	SPRING WASHER A13	4430	4	ST.STEEL	
8	HEX. NUT M12	3288	4	ST.STEEL	
7	SPRING WASHER A6,4	692	1	ST.STEEL	
6	HEX. BOLT M6x15	3308	1	ST.STEEL	
5	SADDLE	LS 840	1	STEEL	HOT DIP GALV.D (ISO 1461)
4	SHACKLE	LS 2514 BIS	1	STEEL	HOT DIP GALV.D (ISO 1461)
3	SHACKLE	LS 5224	2	STEEL	HOT DIP GALV.D (ISO 1461)
2	KEEPER	LS 3107	1	Al ALLOY	
1	CLAMP	LS 4540 BIS	1	Al ALLOY	
ITEM	DESCRIPTION	DRAWING N°	N° PCS.	MATERIAL	NOTE

N.	DATE	MODIFICATIONS	DRAWER	APPROVED
s.r.l. GORLA		SUSPENSION CLAMP FOR ACSR, AAC AND AAAC CONDUCTORS ϕ 10 - 16 mm	SCALE	
MORSETTERIE MILANO			DRAWER	DATE
TECHNICAL OFFICE			APPROVED	DATE
DRW. N. LS 4540				



Marcatura: LS4540 32kN MM/AA AZ

10	U-BOLT M12x100	3904	2	STEEL	HOT DIP GALV.D (ISO 1461)
9	WASHER 14x24	787	4	STEEL	HOT DIP GALV.D (ISO 1461)
8	SPRING WASHER A13	4430	4	ST.STEEL	
7	HEX. NUT M12	3288	4	ST.STEEL	
6	SPRING WASHER A6,4	692	1	ST.STEEL	
5	HEX. BOLT M6x15	3308	1	ST.STEEL	
4	SADDLE	LS 840	1	STEEL	HOT DIP GALV.D (ISO 1461)
3	SHACKLE	LS 5224	2	STEEL	HOT DIP GALV.D (ISO 1461)
2	KEEPER	LS 3107	1	AL ALLOY	
1	CLAMP	LS 4540 BIS	1	AL ALLOY	
ITEM	DESCRIPTION	DRAWING N°	N° PCS.	MATERIAL	NOTE

N.	DATE	MODIFICATIONS	DRAWER	APPROVED
s.r.l. GORLA		SUSPENSION CLAMP FOR ACSR, AAC AND AAAC CONDUCTORS ϕ 10 - 16 mm	SCALE	
MORSETTERIE MILANO			DRAWER	DATE
TECHNICAL OFFICE			APPROVED	DATE
DRW. N. LS 4540S				