

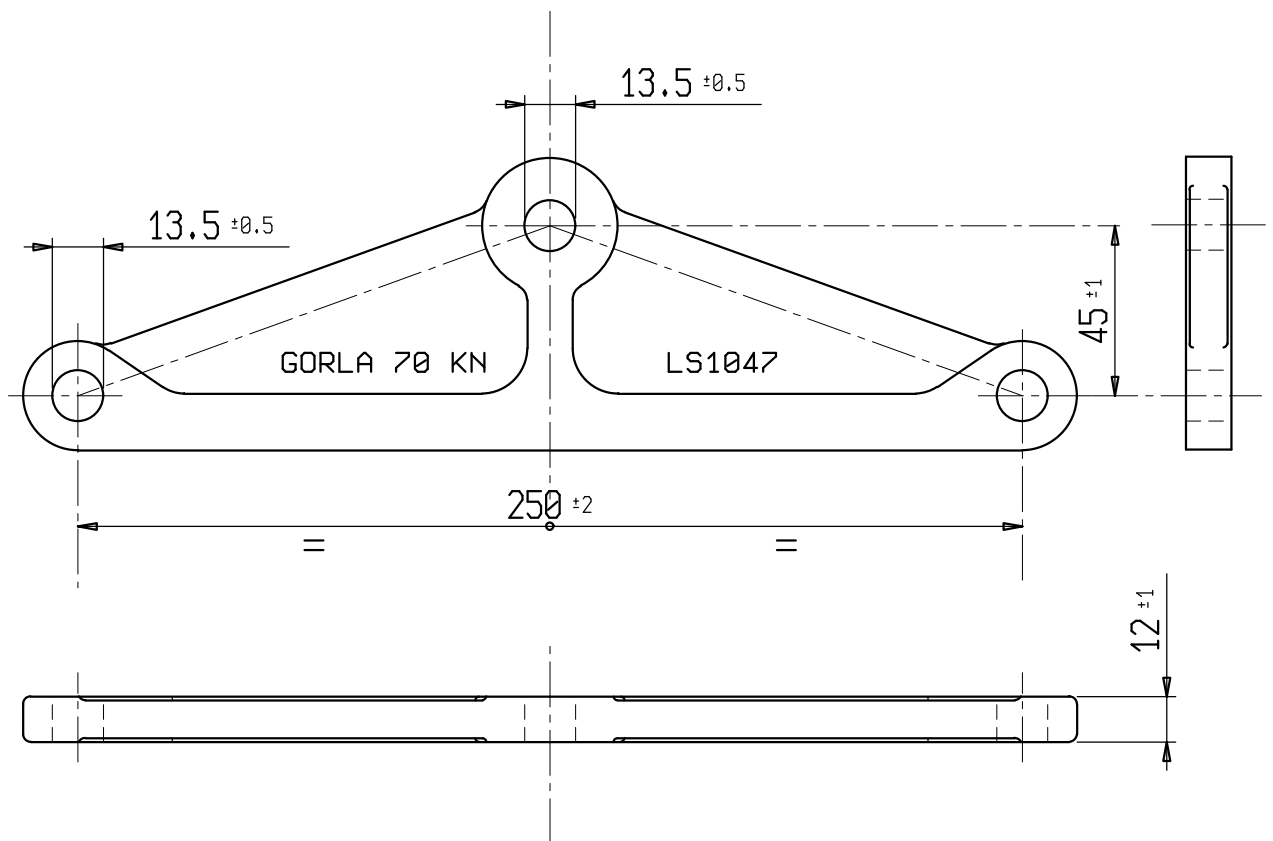
s.r.l. GORLA
MORSETTERIE
MILANO

TRIANGULAR YOKE
BREAKING LOAD 70 kN

DRG. N. LS 1047

Rev.1 dated 14.09.06

TECHNICAL OFFICE



1	YOKE	LS 1047 BIS	1	STEEL	HOT DIP GALV.D (ISO 1461)
ITEM	DESCRIPTION	N° DRG.	N° PCS.	MATERIAL	NOTE