

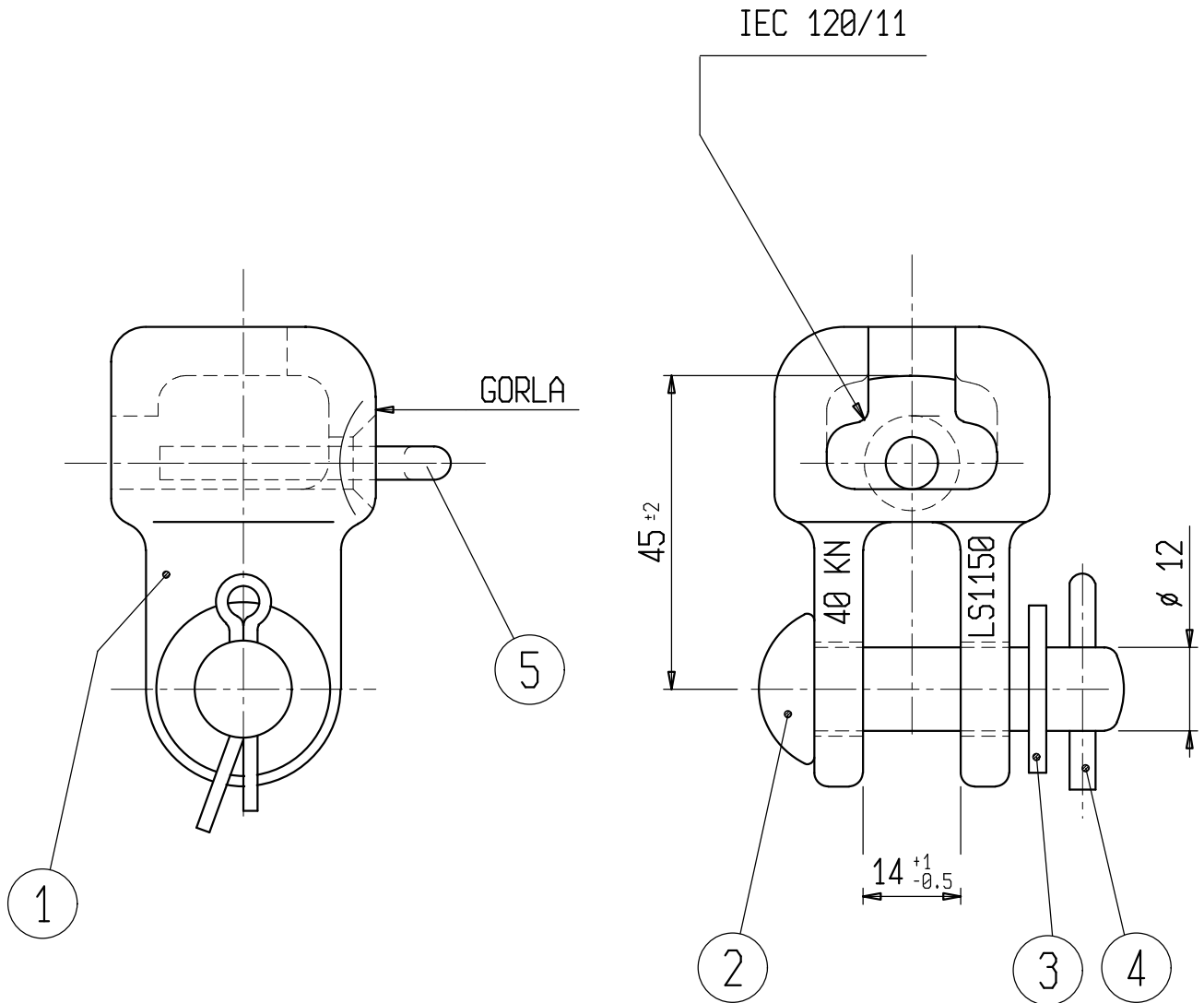
s.r.l. GORLA
MORSETTERIE
MILANO

SOCKET CLEVIS
BREAKING LOAD 40 kN

DRG. N. LS 1150

Rev.1 dated 14.09.06

TECHNICAL OFFICE



5	SPLIT PIN	773	1	ST. STEEL	
4	PIN 4 x 25	791	1	ST. STEEL	
3	WASHER 14 x 24	787	1	STEEL	HOT DIP GALV.D (ISO 1461)
2	PIN 12 x 45	789	1	STEEL	HOT DIP GALV.D (ISO 1461)
1	SOCKET CLEVIS	LS 1150BIS	1	STEEL	HOT DIP GALV.D (ISO 1461)
ITEM	DESCRIPTION	N° DRG.	N° PCS.	MATERIAL	NOTE

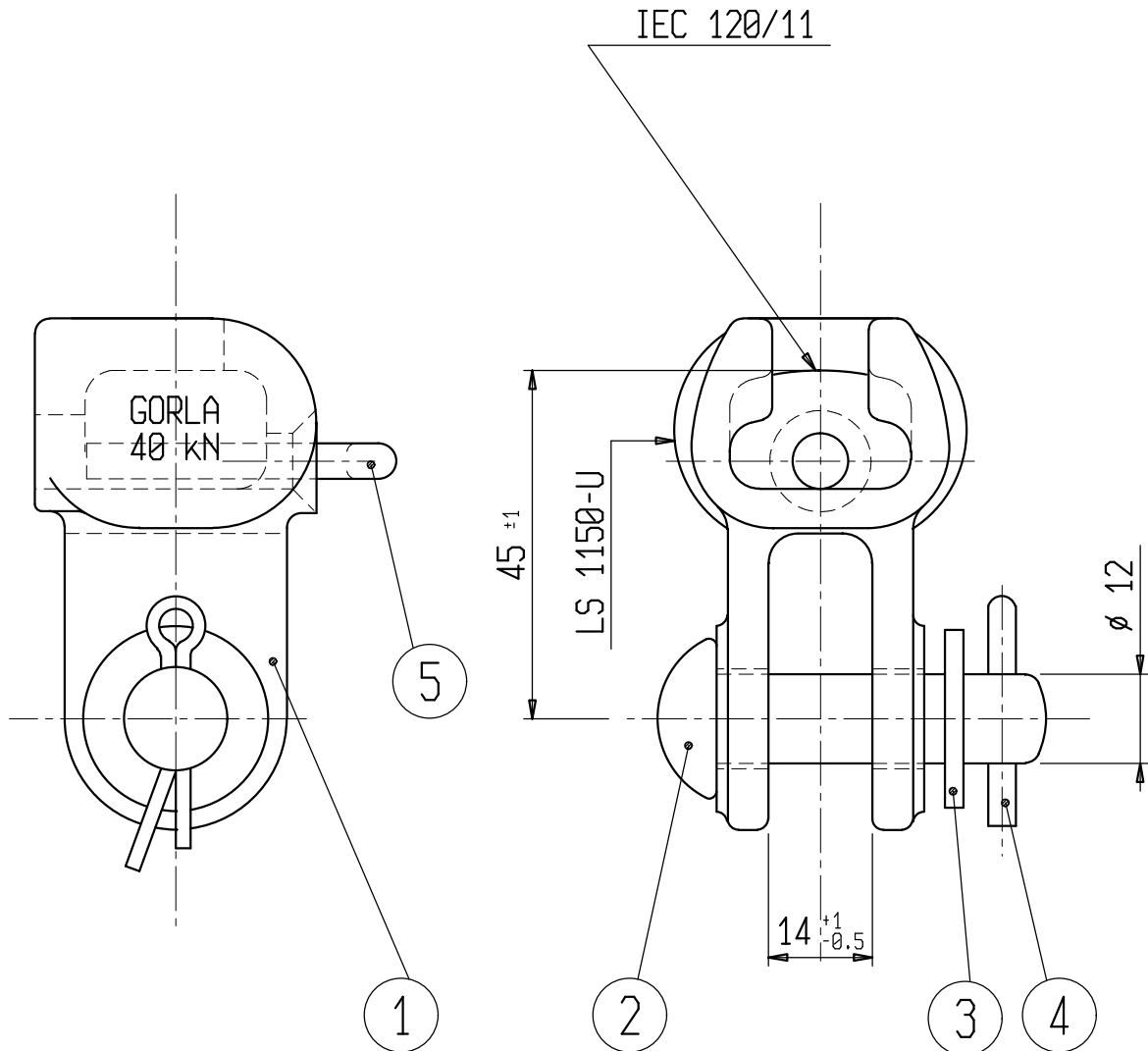
s.r.l. GORLA
MORSETTERIE
MILANO

TECHNICAL OFFICE

SOCKET CLEVIS
BREAKING LOAD 40 kN

DRG. N. LS 1150U

Rev.1 dated 14.09.06



5	SPLIT PIN	773	1	ST. STEEL	
4	PIN 4 x 25	791	1	ST. STEEL	
3	WASHER 14 x 24	787	1	STEEL	HOT DIP GALV.D (ISO 1461)
2	PIN 12 x 45	789	1	STEEL	HOT DIP GALV.D (ISO 1461)
1	SOCKET CLEVIS	LS 1150/U BIS	1	CAST IRON	HOT DIP GALV.D (ISO 1461)
ITEM	DESCRIPTION	N° DRG.	N° PCS.	MATERIAL	NOTE