

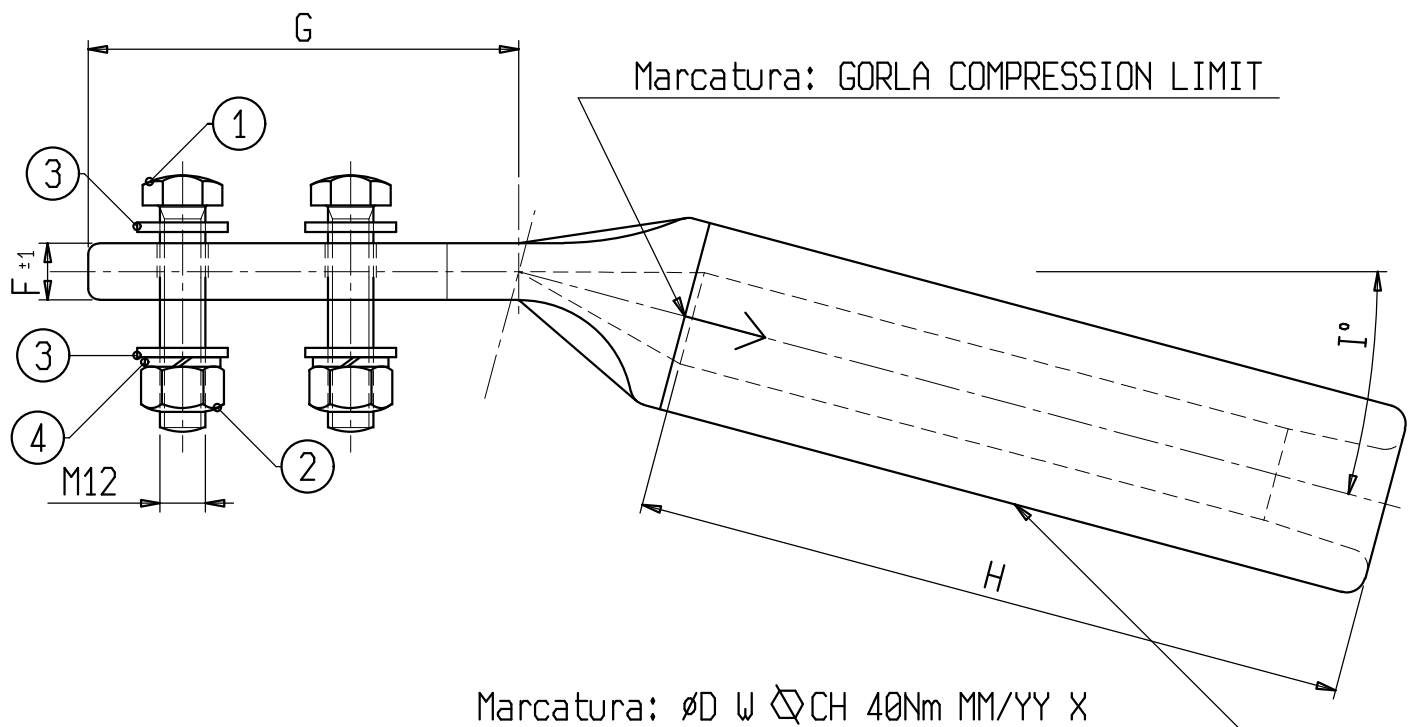
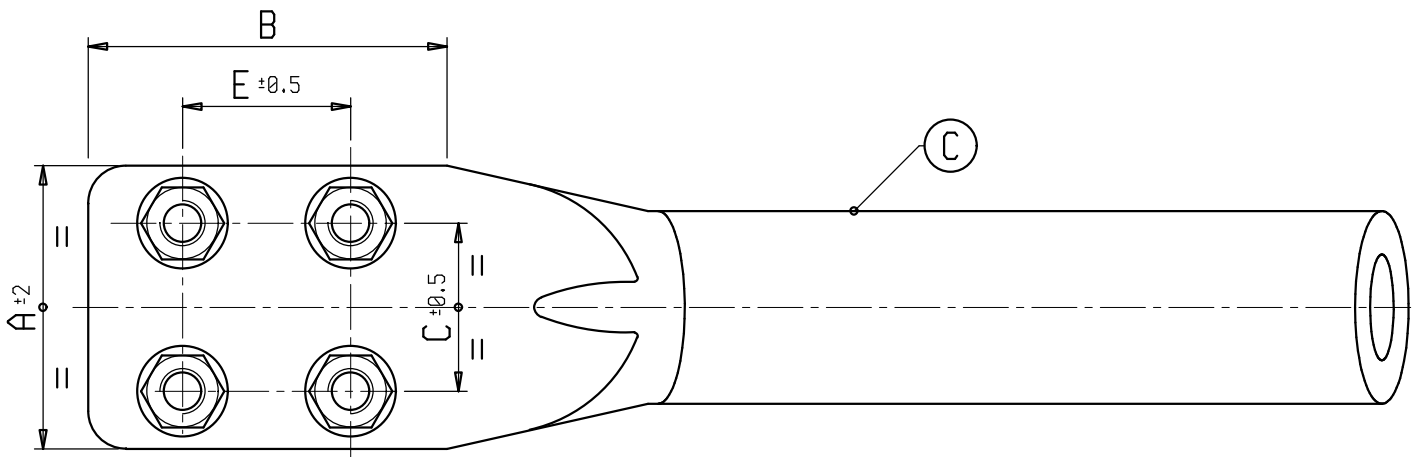
s.r.l. GORLA
MORSETTERIE
MILANO

UFFICIO TECNICO

DERIVAZIONI A COMPRESSIONE
PER COLLI MORTI
PER COND. AAC, AAAC, ACSR
ED ALTA TEMPERATURA
A 4 BULLONI

DIS. N. AT46/X

Rev.3 del 04.03.14



Materiale. C: lega di alluminio
1 e 2: Acciaio inox o zincato a caldo
3: Acciaio zincato a caldo
4: Acciaio inox

s.r.l. **GORLA**
MORSETTERIE
MILANO

SEZIONE TECNICA D'OFFICINA

DERIVAZIONI A COMPRESSIONE
PER COLLI MORTI
PER COND. AAC, AAAC, ACSR
ED ALTA TEMPERATURA
A 4 BULLONI

DIS. N. AT46/X

Rev.20 del 25.06.19

X	∅ COND.	A	B	C	E	F	G	H	I	W	C	①	②	③	④
	D														
LS52181254	12,54	55	88	28	44,5	15	98	77	15		C2/LS52181254	694	3288	787	4430
LS52181272T	12,70	55	88	28	50	15	98	120	15		C2/LS52181272T	694	3288	787	4430
LS5218132CB	13,32	55	88	28	50	15	98	77	15		C5/LS5218132	694	3288	787	4430
LS52181425CB	14,25	55	88	28	50	15	114	120	15		C2/LS52181425	694	3288	787	4430
LS521814452TCB	14,45	55	88	28	50	15	114	120	15		C2/LS521814452T	694	3288	787	4430
LS5218 COCB	15,60	55	88	28	50	15	114	120	15		C2/LS5218 CO	694	3288	787	4430
LS5218 GP1CB	15,85	55	88	28	50	15	114	120	15		C2/LS5218 GP1	694	3288	787	4430
LS5218QUASPCB	15,85	55	88	28	50	15	98	120	15		C5/LS5218QUASP	694	3288	787	4430
LS5218QUA445CB	15,85	75	95	44,5	44,5	11	114	120	15		C5/LS5218QUA445	694	3288	787	4430
LS5218162TCB	16,00	55	88	28	50	15	114	120	15		C2/LS5218162T	694	3288	787	4430
LS6450162CB	16,20	75	95	44,5	44,5	11	114	120	15		C2/LS6450162	694	3288	787	4430
LS521816252TCB	16,25	55	88	28	50	15	114	120	15		C2/LS521816252T	694	3288	787	4430
LS5218171	17,10	55	88	28	50	15	114	120	15		C2/LS5218171	694	3288	787	4430
LS52181725QUCB	17,25	55	88	28	50	15	114	120	15		C2/LS52181725QU	694	3288	787	4430
LS5218177344CB	17,74	55	88	28	50	15	114	120	15		C2/LS5218177344	694	3288	787	4430
LS521817QC14CB	17,74	55	88	28	50	15	114	120	15		C2/LS521817QC14	694	3288	787	4430
LS5218182CB	18,20	55	88	28	50	15	114	120	15		C2/LS5218182	694	3288	787	4430
LS52181883QUCB	18,83	55	88	28	50	15	114	120	15		C2/LS52181883QU	694	3288	787	4430
LS5218192T19CB	18,98	75	88	44,5	44,5	11	114	120	15		C2/LS5218192T19	694	3288	787	4430
LS52181902CB	19,02	55	88	28	50	15	98	120	15		C2/LS52181902	694	3288	787	4430
LS5218GP1CB	19,02	55	88	28	50	15	98	120	15		C5/LS5218GP1	694	3288	787	4430
LS52181902Q2CB	19,02	55	88	28	50	15	98	120	15		C5/LS52182484Q2	694	3288	787	4430
LS52181904ZTCB	19,04	75	95	44,5	44,5	11	114	150	15		C2/LS52181904ZT	694	3288	787	4430
LS52181904ZCB	19,04Z	55	88	28	50	15	114	120	15		C2/LS52181904Z	694	3288	787	4430
LS6871QUA44CB	19,38	Vedere disegno LS6871QUA44									LS6871QUA44	694	3288	787	4430
LS5218196CB	19,60	55	88	44,5	44,5	11	114	120	15		C5/LS5218196	694	3288	787	4430
LS5218202QUACB	20,27	55	88	28	50	13	98	120	15		C2/LS5218202QUA	694	3288	787	4430
LS52182023QUACB	20,30	55	88	44,5	44,5	11	114	120	15		C2/LS52182023QUA	694	3288	787	4430
LS0817207QUACB	20,70	55	88	28	50	13	98	120	15		C2/LS5218207QUA	694	3288	787	4430
LS0817207GPCB	20,70	75	95	44,5	44,5	15	114	190	15		C2/LS0817207GP	694	3288	787	4430
LS0817209ASSCB	20,90	75	95	44,5	44,5	15	114	190	15		C2/LS0817209ASS	694	3288	787	4430
LS521821QUACB	21,00	55	88	28	50	13	98	120	15		C2/LS521821QUA	694	3288	787	4430
LS521821CB	21,00	55	88	44,5	44,5	11	114	120	15		C5/LS521821	694	3288	787	4430
LS5218216QUACB	21,66	55	88	28	50	13	98	120	15		C2/LS5218216QUA	694	3288	787	4430

