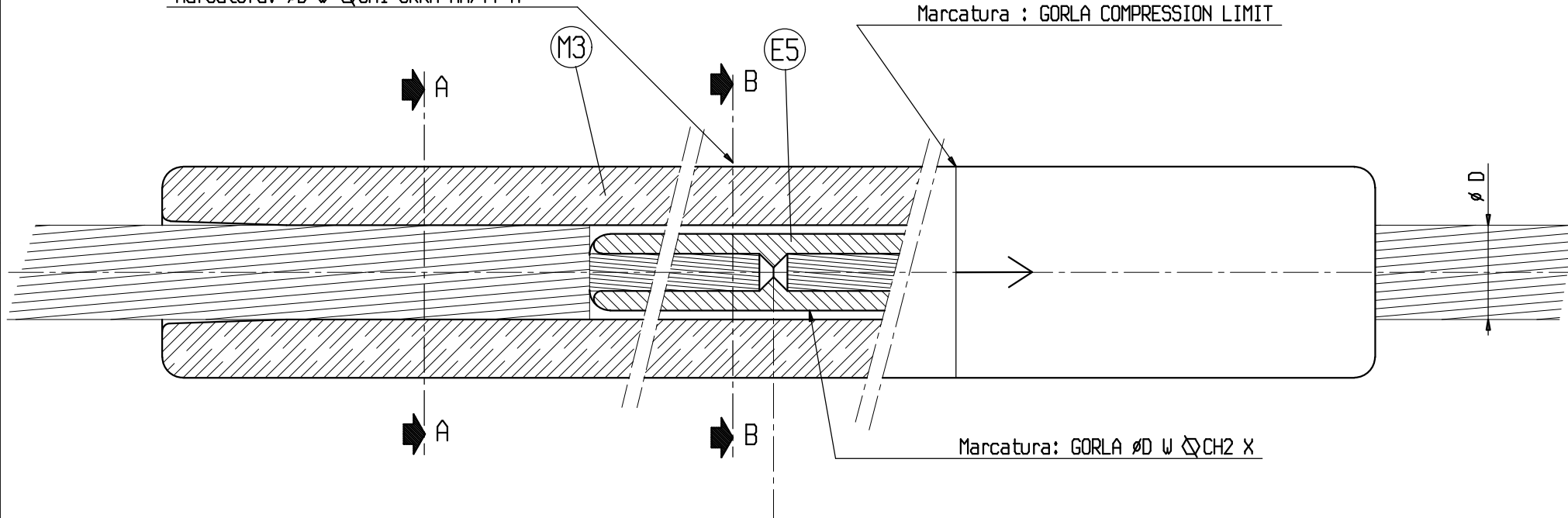


1 2 3 4

Marcatura: $\varnothing D \text{ W } \text{CH1 CRkN MM/YY X}$

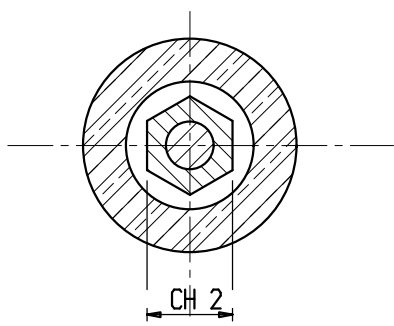
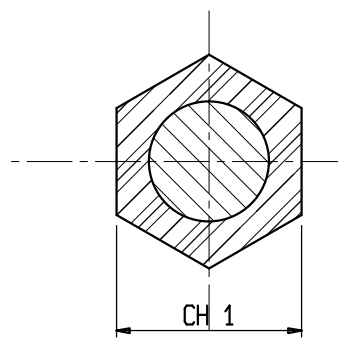
Marcatura : GORLA COMPRESSION LIMIT



Marcatura: GORLA $\varnothing D \text{ W } \text{CH2 X}$

SEZIONE A-A

SEZIONE B-B



Materiale. E5: acciaio zincato
M3: lega di alluminio

s.r.l. GORLA MORSETTERIE MILANO UFFICIO TECNICO	GIUNTI A COMPRESSIONE ESAGONALE PER COND. ALL./ACC.	Rev.3 del 13.02.08
		DIS. N. AT05/X

s.r.l. GORLA
MORSETTERIE
MILANO

SEZIONE TECNICA D'OFFICINA

GIUNTI A COMPRESSIONE
ESAGONALE
PER CONDUTTORI ALL./ACC.

DIS. N. AT05/X

Rev.19 del 30.09.21

Pag. 2/3

X	∅ COND.	W	CR[KN]	⊕(E5)	⊕(M3)	
	D					
LS48979	9,00		16,13	LS47689	LS47699	
LS489711	11,00		21	LS052811-2	LS052811-1	
LS4897114	11,40		26	LS4768114	LS4769114	
LS48971155	11,55		25,76	LS47681155	LS4769155	
LS48971172	11,72		26,27	LS47681172	LS47691172	
LS66481227	12,27	RACoon	27,06	LS66511227	LS66521227	
LS48971254-1	12,54		37,26	LS47681254-1	LS47691254-1	
LS4897133	13,30		41	LS4768133	LS4769133	
LS489713	13,32		35	LS476813	LS476913	
LS48971425	14,25		40	LS47681425	LS47691425	
LS5211147	14,70		49,6	LS5212147	LS5213147	
LS6648157	15,75		57	LS6651157	LS66521	
LS6648	15,85		49	LS6651	LS6652	
LS5211171	17,10		54,4	LS5212171	LS5213171	
LS5211175	17,50		70	LS5212F80	LS52133	
LS6648177	17,74		60	LS5212F68	LS52138	
LS66481813	18,13	WOLF	69	LS5212F80	LS0238	
LS52111883	18,83		74,5	LS52121883	LS52131883	
LS6873189	18,90		81	LS6875189	LS6874189	
LS5211189	18,90		81	LS6875189	LS5213189	
LS5211190	19,02		69	LS5212F75	LS52131	
LS521119S	19,02		69	LS5212F75	LS52131S	
LS52111902	19,02		69	LS52121902	LS52131902	
LS52111904Z	19,04Z		79,78	LS52121904Z	LS52131904Z	
LS6873FS	19,38		71	LS6875	LS6874	
LS52111938	19,38		71	LS52121938	LS52131938	
LS6873196	19,60		86	LS6875196	LS68741	
LS5211196	19,60		86	LS5212F90	LS52134	
LS5211202	20,27		78	LS5212F801	LS52135	
LS521121	21,00		99	LS5212F95	LS52132	
LS52112152	21,52		80,51	LS52122152	LS52132152	
LS5211216	21,66		89	LS5212F85	LS52136	
LS5211218	21,80		90	LS5212218	LS5213218	
LS5211218-1	21,80		103	LS5212218-1	LS5213218-1	
LS52112226	22,26	LION	100	LS5212F975	LS0250	
LS5211224	22,40		109	LS5212F10	LS52137	
LS5211225	22,50		90	LS5212225	LS5213225	

