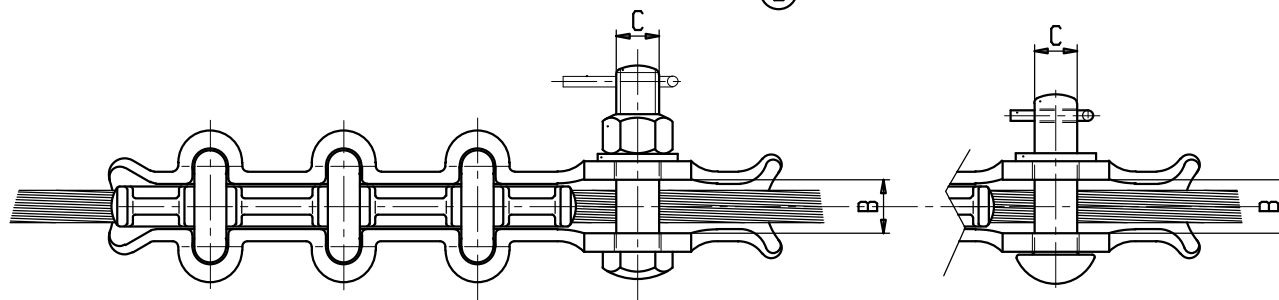
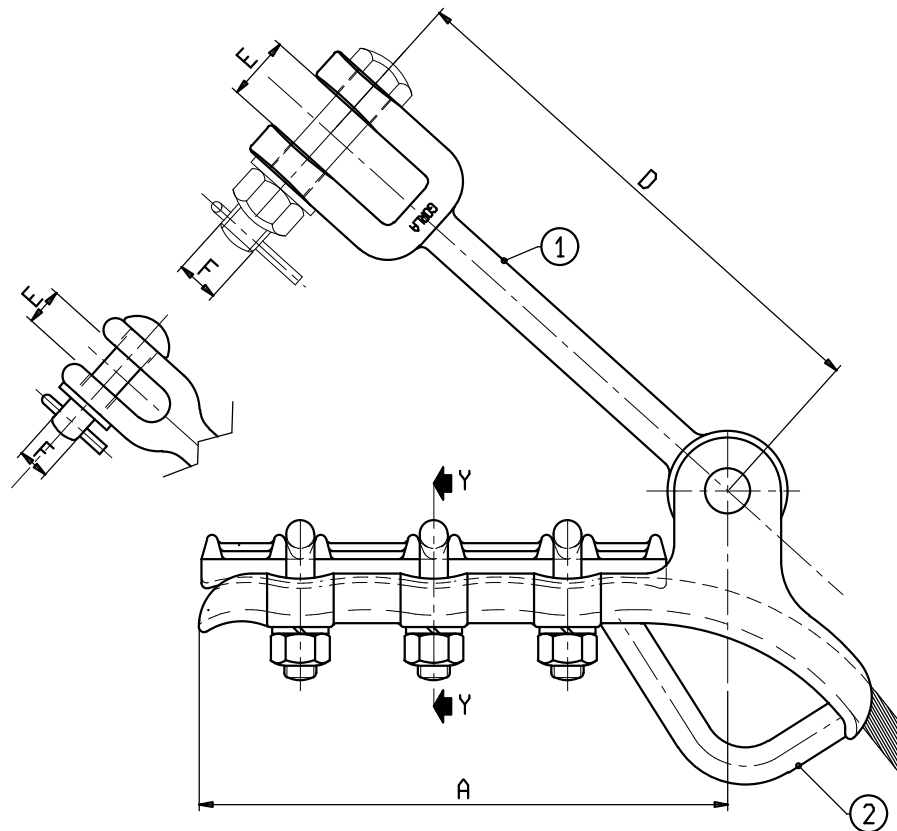


SECTION Y-Y



Material: Hot dip galvanized steel.

X	A	B	C	D	E	F	①	②	CR [kN]
LS 2511	200	24	M16	-	-	-	-	-	60
LS 2511MB	200	24	M16	-	-	-	-	LS6073	60
LS 2511M	200	24	∅ 16	-	-	-	-	LS6073	60

s.r.l. GORLA
MORSETTERIE
MILANO
TECHNICAL OFFICE

TENSION CLAMPS
WITH 3 U-BOLTS FOR
ACSR, AAC and AAAC CONDUCTORS
∅ 6 - 16,5 mm

SCALE	
DRAWN	DATE
APPROVED	DATE
DRG. N. AT41/A1/X	