

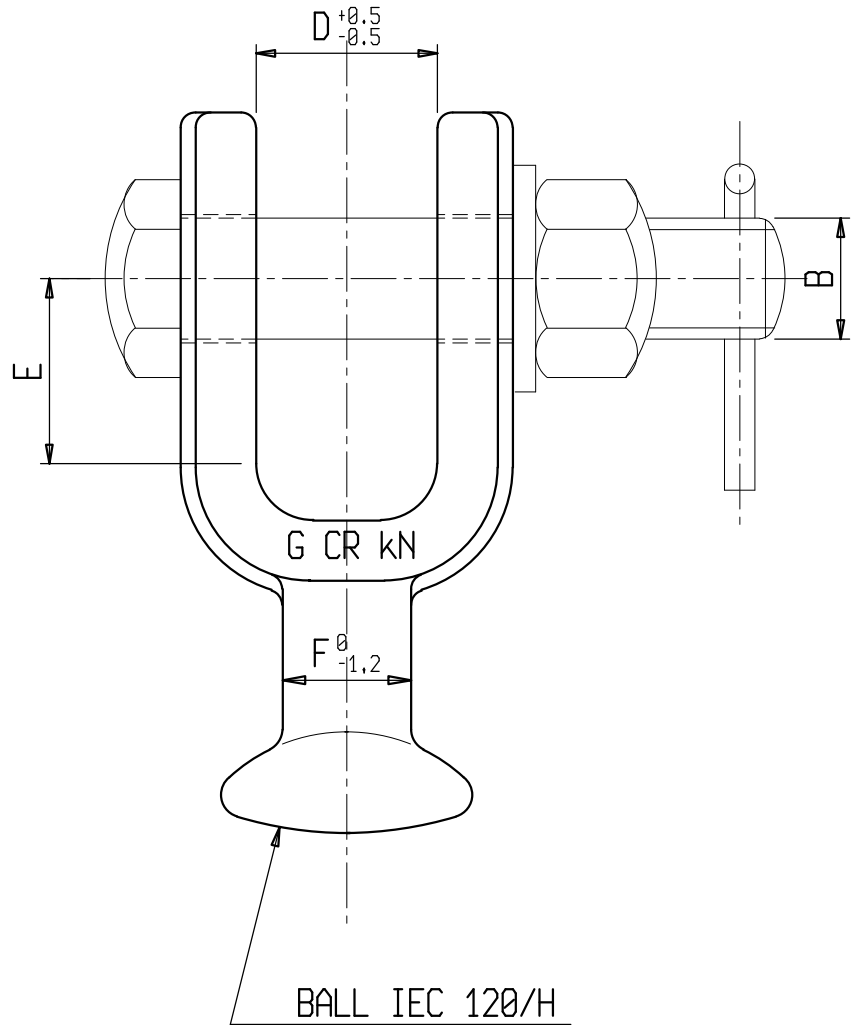
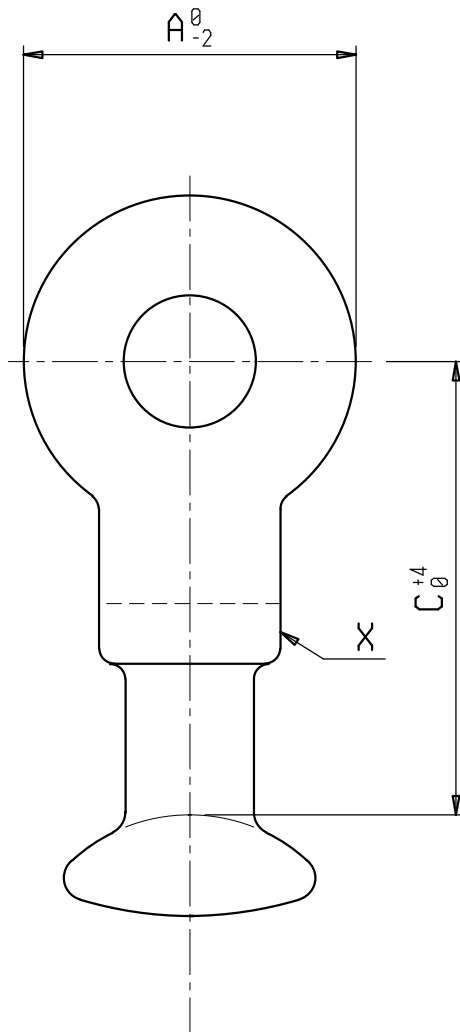
s.r.l. GORLA
MORSETTERIE
MILANO

TECHNICAL OFFICE

BALL CLEVIS

DRG. N. AT14/X

Rev. 1 dated 28.02.14



Material: Hot dip galvanized steel. Stainless steel pin

X	A	B	C	D	E	F	H	CR [kN]
LS 4167	44	M 16	60	24	24,5	17	16	120
LS 4167HE	44	M 16	60	21	26	17	16	100
LS 4656	48	M 20	75	24	30	21	20	210
LS 0457	55	M 27	95.5	24	50	25	24	300