

s.r.l. GORLA
MORSETTERIE
MILANO

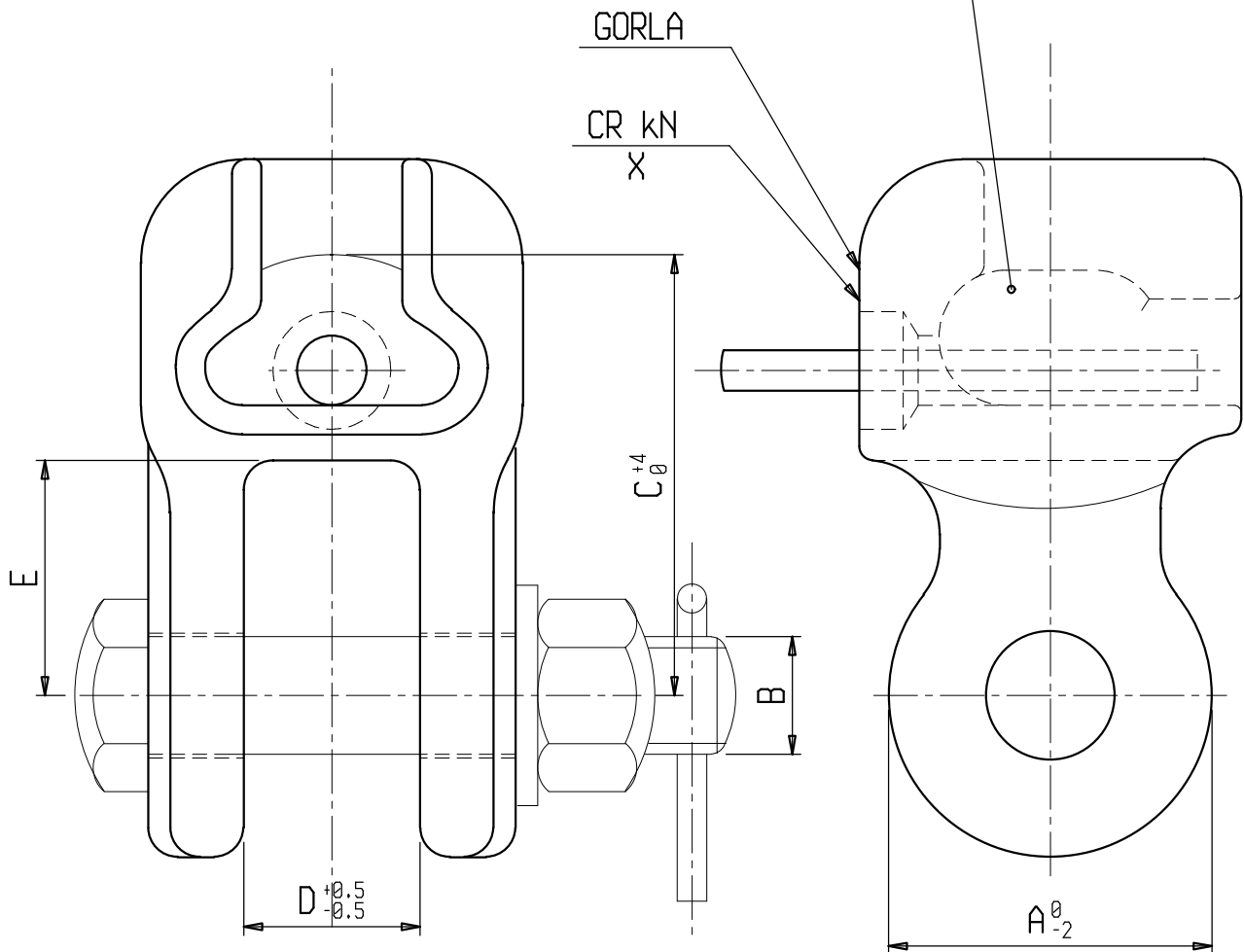
SOCKET CLEVIS

DRG. N. AT15/X

Rev.2 dated 28.02.14

TECHNICAL OFFICE

SOCKET IEC120/F



Material: Hot dip galvanized steel. Stainless steel pin

X	A	B	C	D	E	F	CR [kN]
LS 3118	44	M 16	60	24	32	16	120
LS 3118HE	44	M 16	60	21	32	16	100
LS 4657	48	M 20	75	24	38	20	210
LS 0295M20	55	M 20	95.5	24	52	24	300
LS 0295	55	M 27	95.5	24	52	24	300