

s.r.l. GORLA
MORSETTERIE
MILANO

TECHNICAL OFFICE

SPACER
FROM 3 BUNDLE CONDUCTORS
TO 2 BUNDLE CONDUCTORS

DIRG N. LS 6741

SCALE

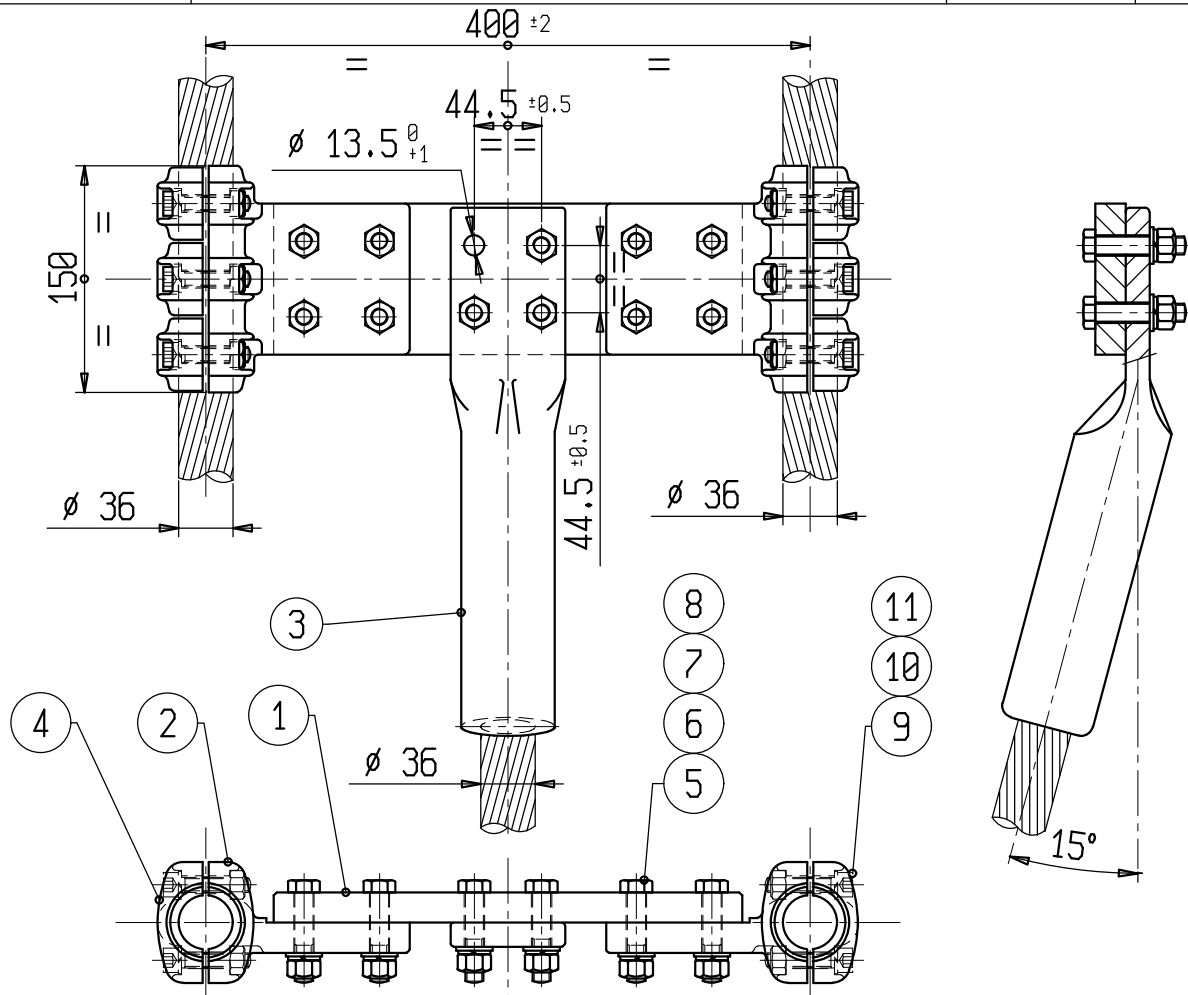
DRAWN

DATE

APPROVED

DATE

N.	DATE	UPDATES	DRAWN	APPROVED



11	HEX. NUT M10	3316	12	Stainless steel	
10	SPRING WASHER A Ø10,5	710	12	Stainless steel	
9	BOLT M10x50	5943	12	Stainless steel	
8	HEX. NUT M12	3288	12	Stainless steel	
7	SPRING WASHER A Ø12	4430	12	Stainless steel	
6	WASHER 13x24	5935	12	Stainless steel	
5	HEX. BOLT M12x60	690	12	Stainless steel	
4	KEEPER	C 6049	6	Al alloy	
3	JUMPER	LS 5256	1	Al alloy	
2	CLAMP (BODY)	LR 6743	2	Al alloy	
1	SPACER PLATE	LR 6742	1	Al alloy	
ITEM	DESCRIPTION	N° DRG.	N° PCS.	MATERIAL	NOTE