

s.r.l. GORLA
MORSETTERIE
MILANO

ARCING RAQUETTES

DIRG N. X

SCALE

DRAWN

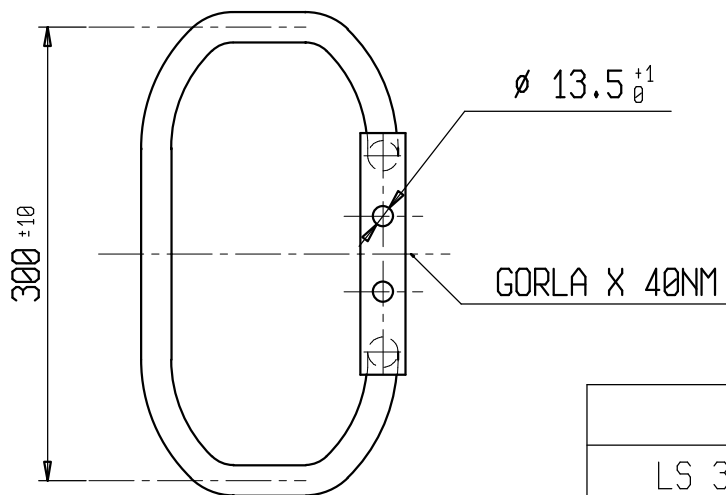
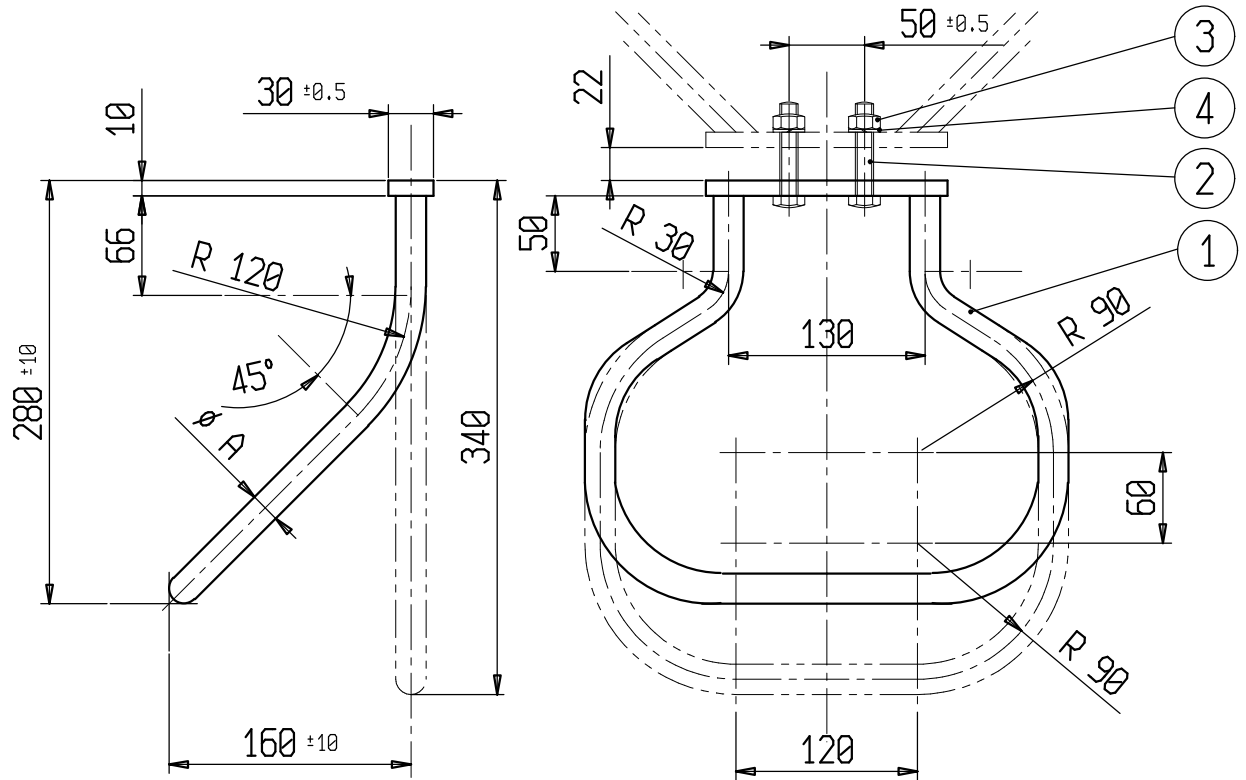
DATE

APPROVED

DATE

TECHNICAL OFFICE

N.	DATE	UPDATES	DRAWN	APPROVED



X	A
LS 3182 1	16
LS 3182 2	20

TIGHTENING TORQUE 40 Nm

ITEM	DESCRIPTION	N° DRG.	N° PCS.	MATERIAL	NOTE
4	SPRING WASHER A13	4430	2	STAINLESS STEEL	
3	HEX. NUT M12	3288	2	STAINLESS STEEL	
2	HEX. BOLT M12x45	693	2	STAINLESS STEEL	
1	RAQUETTE (BODY)	LS 3182 1BIS	1	STEEL	HOT DIP GALV.D (ISO 1461)

s.r.l. GORLA
MORSETTERIE
MILANO

ARCING RAQUETTE

DIRG N. LS 3186

SCALE

DRAWN

DATE

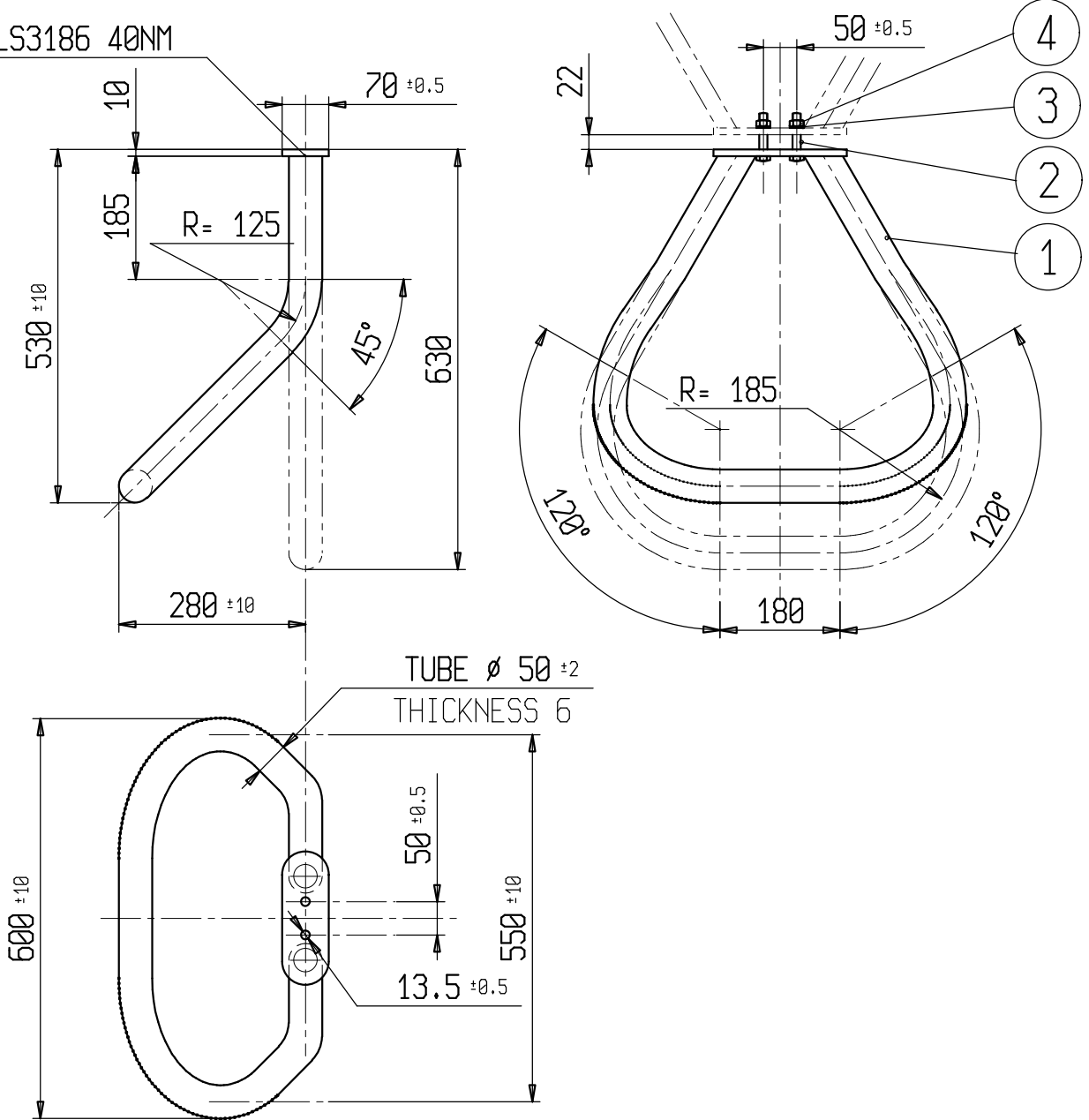
APPROVED

DATE

TECHNICAL OFFICE

N.	DATE	UPDATES	DRAWN	APPROVED

GORLA LS3186 40NM



4	HEX. NUT M12	3288	2	STAINLESS STEEL	
3	SPRING WASHER A13	4430	2	STAINLESS STEEL	
2	HEX. BOLT M12x60	694	2	STAINLESS STEEL	
1	RAQUETTE (BODY)	LS 3186 BIS	1	STEEL	HOT DIP GALV.D (ISO 1461)
ITEM	DESCRIPTION	N° DRG.	N° PCS.	MATERIAL	NOTE

s.r.l. GORLA
MORSETTERIE
MILANO

ARCING RAQUETTES

DIRG N. LS 1152

SCALE

DRAWN

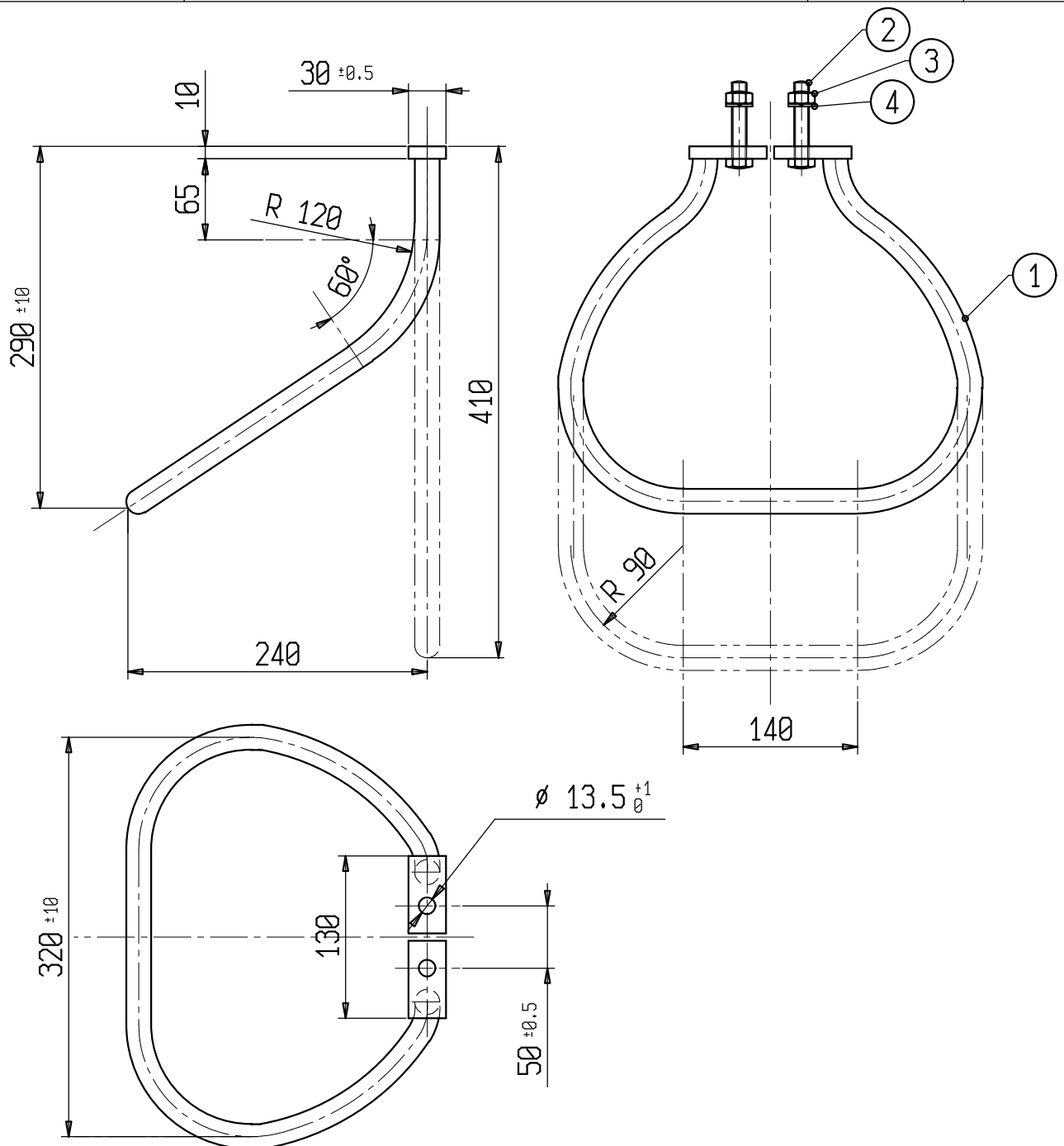
DATE

APPROVED

DATE

TECHNICAL OFFICE

N.	DATE	UPDATES	DRAWN	APPROVED



4	SPRING WASHER A13	4430	2	STAINLESS STEEL	
3	HEX. NUT M12	3288	2	STAINLESS STEEL	
2	HEX. BOLT M12x60	694	2	STAINLESS STEEL	
1	RAQUETTE (BODY)	LS 1152 BIS	1	STEEL	HOT DIP GALV.D (ISO 1461)
ITEM	DESCRIPTION	N° DRG.	N° PCS.	MATERIAL	NOTE