

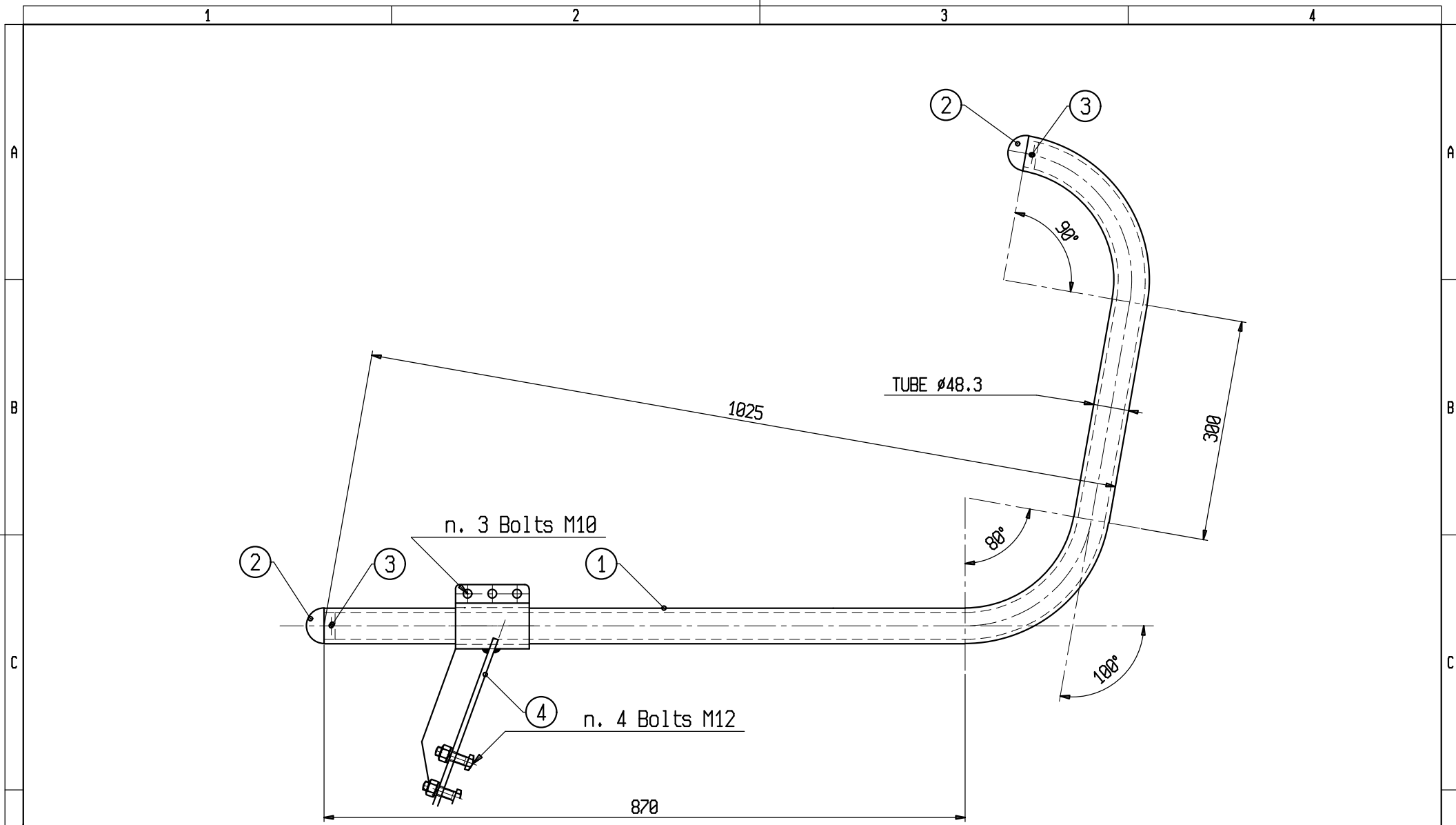
Material: Hot dip galvanized steel. Bolts in stainless steel.

X	A	B	C	D	E	F	G	H	I	L	M	N	P
LS 0651	700	680	60	60	18	320	15	20	50	50	20	30	M12
LS 0652	1000	775	60	60	18	320	15	20	50	50	20	30	M12
LS 0654	1380	943	60	50	25	500	15	20	50	50	20	30	M12
LS 0658	750	1000	75	60	18	320	15	20	50	50	20	30	M12
LS651DIR	-	680	90	60	18	320	15	20	50	50	20	30	M12

s.r.l. GORLA
 MORSETTERIE
 MILANO
 TECHNICAL OFFICE

ARCING HORNS

SCALE	
DRAWN	DATE
APPROVED	DATE
DRG. N. AT39/X	



Stainless steel bolts.

ITEM	DESCRIPTION	DRAWING N°	N° PCS.	MATERIAL	NOTE
4	SUPPORT	LS 661	1	STEEL	HOT DIP GALV.D (ISO 1461)
3	SCREW M6x15	5921	2	STAINLESS STEEL	
2	CAP	LS 5920	2	Al ALLOY	
1	HORN	LS 653 BIS	1	STEEL	HOT DIP GALV.D (ISO 1461)

DATE	MODIFICATIONS	DRAWER	APPROVED
s.r.l. GORLA MORSETTERIE MILANO TECHNICAL OFFICE		ARCING HORN	
		DRAWER	
APPROVED		DATE	
DRW. N. LS 653			

s.r.l. GORLA
MORSETTERIE
MILANO

ARCING HORN

DIRG N. LS 697

SCALE

DRAWN

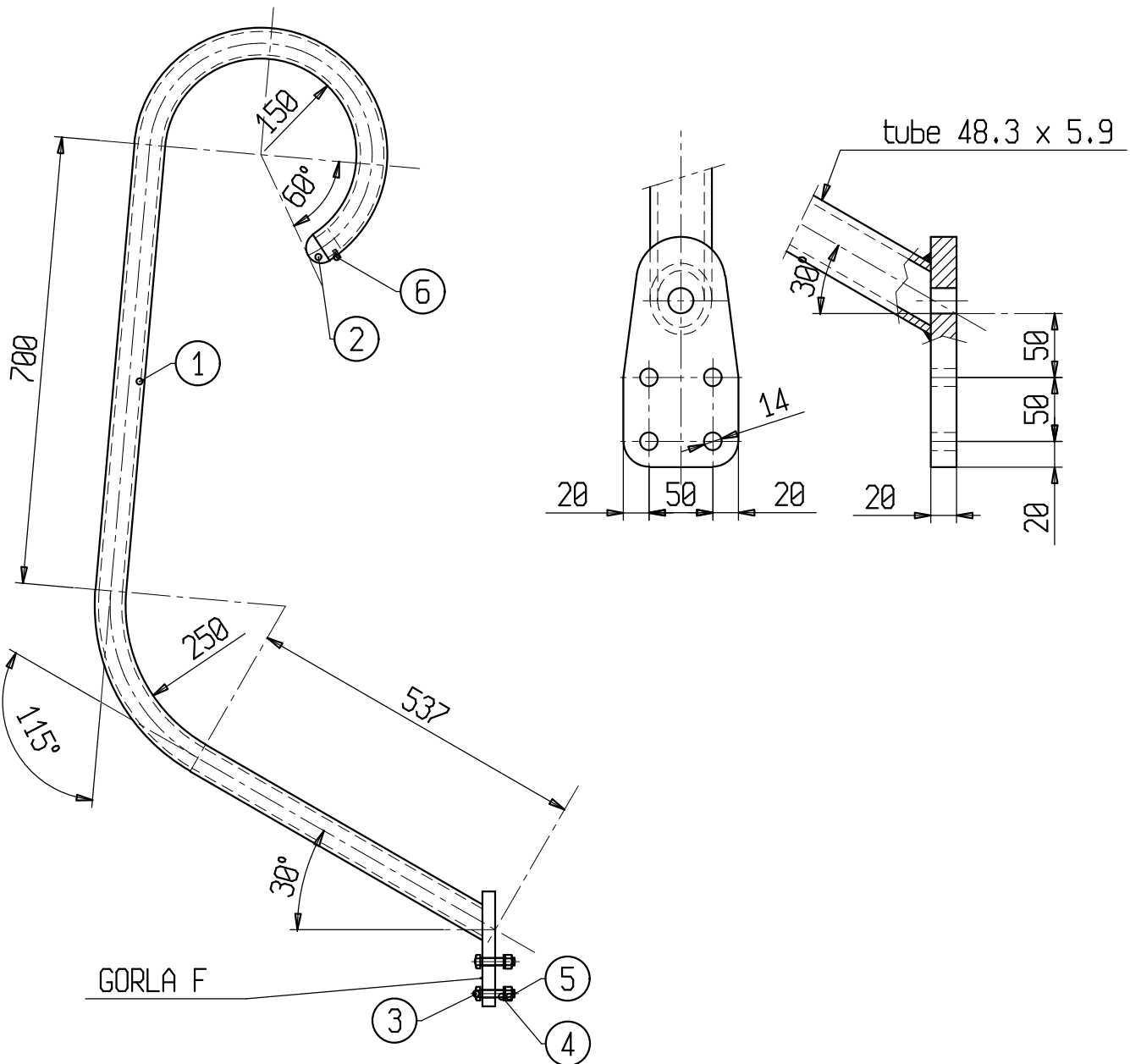
DATE

APPROVED

DATE

TECHNICAL OFFICE

N.	DATE	UPDATES	DRAWN	APPROVED



6	SCREW M6 x 15	5921	1	STAINLESS STEEL	
5	HEX. NUT M12	3288	4	STAINLESS STEEL	
4	SPRING WASHER A 13	4430	4	STAINLESS STEEL	
3	HEX. BOLT M12 x 60	694	4	STAINLESS STEEL	
2	CAP	LS 5920	1	Al ALLOT	
1	HORN (BODY)	LS 697 BIS	1	STEEL	HOT DIP GALV.D (ISO 1461)
ITEM	DESCRIPTION	N° DRG.	N° PCS.	MATERIAL	NOTE