

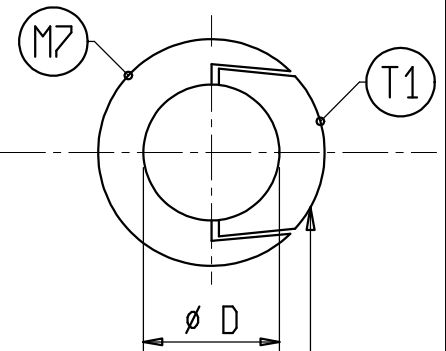
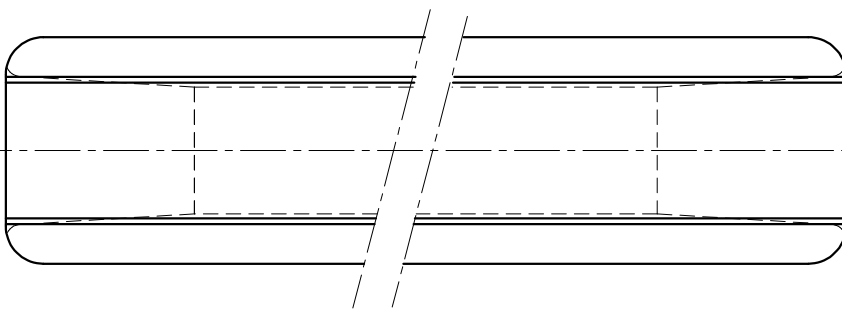
s.r.l. GORLA
MORSETTERIE
MILANO

UFFICIO TECNICO

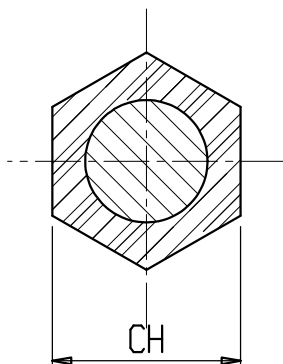
MANICOTTO DI RIPARAZ.
PER CONDUTTORI ALL.-ACC,
ALLUMINIO E SUE LEGHE
ED AD ALTO LIMITE TERMICO

DIS. N. AT09/X

Rev.6 del 26.01.11



Marcatura: ϕD W \square CH CRkN MM/YY X



Materiale: lega di Alluminio

s.r.l. GORLA
MORSETTERIE
MILANO

TECHNICAL OFFICE

REPAIR SLEEVES
FOR HTLS, ACSR, AAC and AAAC
CONDUCTORS

DRG. N. AT09/X

Rev. 14 dated 07.05.20

Pag. 2/3

X	∅ COND.	W	CR [kN]	Ⓜ	Ⓣ
	D				
LS66491332	13,32		35	LS665011332	LS665021332
LS66491445ZT	14,45 ZTACIR		36,44	LS66501445Z1	LS66501445Z2
LS66491575	15,75		57	LS66501	LS665021575
LS6649T	15,85		49	LS66501	LS66502
LS6649162ZT	16,00 ZTACIR		57,54	LS6650162Z1	LS6650162Z2
LS66491625ZT	16,25 ZTACIR		41,23	LS66501625Z1	LS66501625Z2
LS6649177	17,74		60	LS66503	LS66504
LS66491813	18,13	WOLF	69	LS66501813-1	LS66501813-2
LS485819	19,02		69	LS4859191	LS4859192
LS6876FS	19,38		71	LS68771	LS68772
LS6876	19,38		71	LS485919381	LS485919382
LS66491953	19,53	LYNX	77,3	LS66501953-1	LS66501953-2
LS6649196KT	19,60 KTACIR		87,93	LS6650196KT1	LS6650196KT2
LS48582025	20,25		69	LS485920251	LS485920252
LS4858202	20,27		78	LS48592021	LS48592022
LS6649207GP	20,70 gap-type		87	LS6650207GP1	LS6650207GP2
LS48582152	21,52		87	LS48591	LS485922152
LS48582178	21,78	HAWK	86,8	LS48591	LS485922178
LS4858218	21,80		103	LS48591	LS48592218
LS48582226	22,26	LION	100	LS48591	LS485922226
LS4858224	22,40		109	LS48591	LS48592224
LS48582275ZT	22,75 ZTACIR		99	LS48592275Z1	LS48592275Z2
LS4858	22,80		98	LS48591	LS48592
LS48582597	25,97	GOAT	136	LS485912597	LS485922597
LS486226	26,90		156	LS4863126	LS4863226
LS486227	27,00	BISON	121	LS4863127	LS4863227
LS48622814	28,14		171	LS4863126	LS486322814
LS48622852	28,52	ZEBRA	127,8	LS4863129	LS48632852-2
LS4862293	29,30		185	LS4863129	LS4863229
LS4862293ZT	29,30 ZTACIR		238,88	LS48631293ZT	LS48632293ZT
LS4862	31,50		169	LS48631	LS48632
LS4862315ZT	31,50 TACIR		144,8	LS48631315ZT	LS48632315ZT
LS48623168	31,68	CURLEW	162	LS486313168	LS486323168
LS6907	33,99		160,55	LS69081	LS69082

