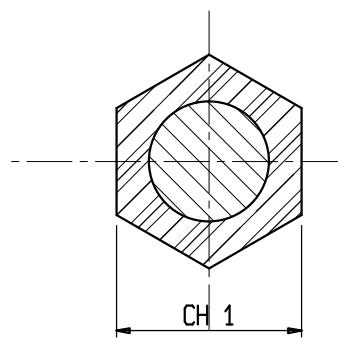
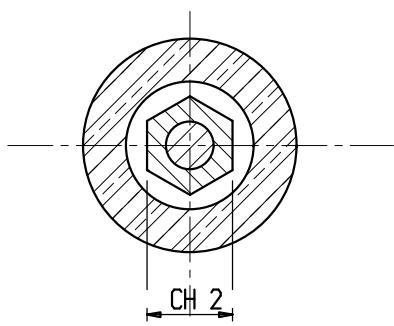


SECTION A-A



SECTION B-B



Material. E5: hot dip galvanized steel
 M: aluminium alloy

s.r.l. GORLA
 MORSETTERIE
 MILANO
 TECHNICAL OFFICE

COMPRESSION JOINTS
 FOR HIGH TEMPERATURE
 CONDUCTORS

Rev.2 dated 11.06.08
 DRG. N. AT05-A/X

