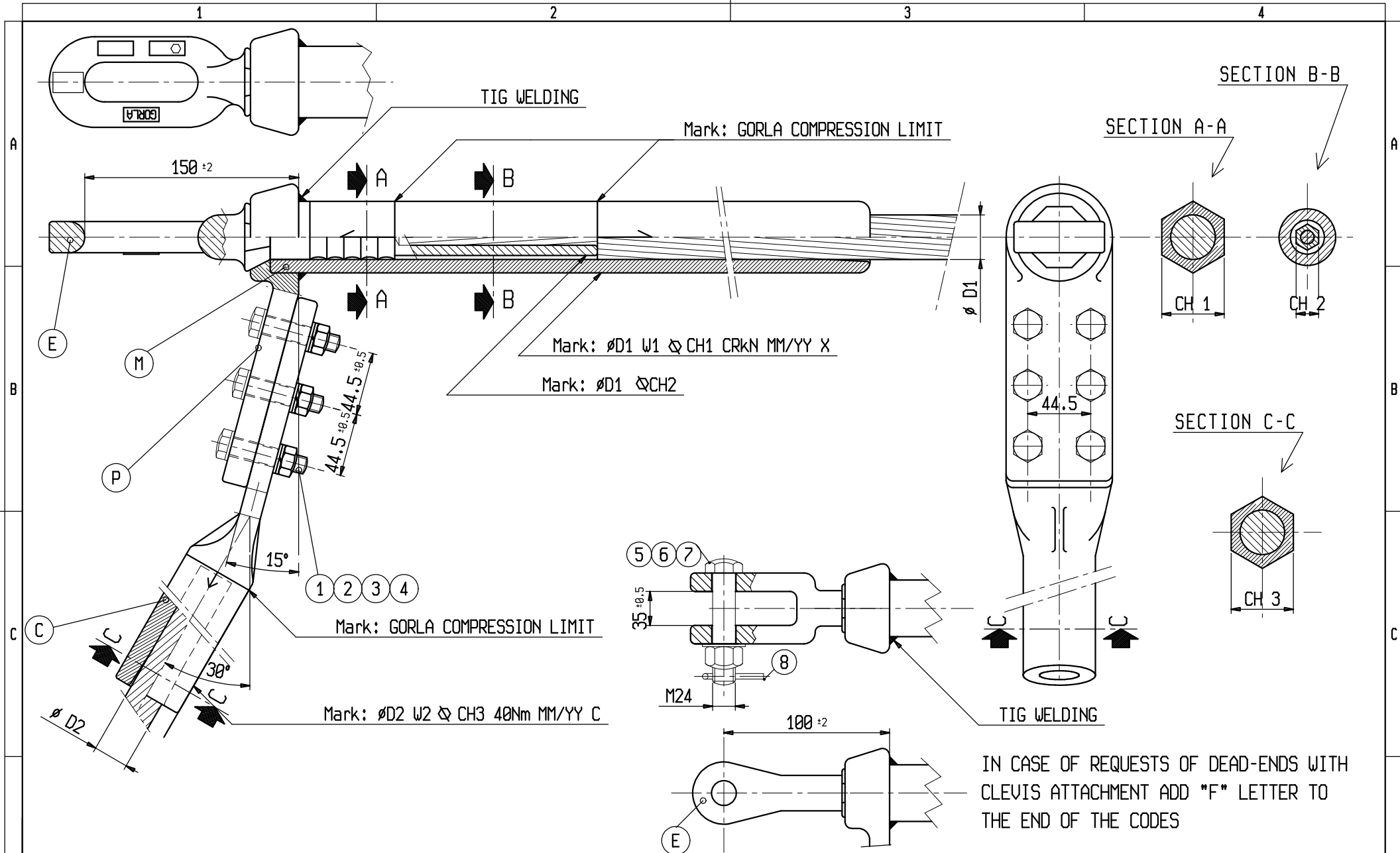


Material. E, 5, 6 and 7: hot dip galvanized steel  
 C2, M1 e P: aluminium alloy  
 1, 2, 3 e 4: hot dip galvanized or stainless steel  
 8: stainless steel

<p>s.r.l. GORLA          MORSETTERIE          MILANO          TECHNICAL OFFICE</p>	<p>COMPRESSION DEAD-END          CLAMPS          FOR HIGH TEMPERATURE          CONDUCTORS          WITH 4 BOLTS</p>	<p>Rev.5 dated 15.11.16          DRG. N. AT01-A4/X</p>
--	---	--





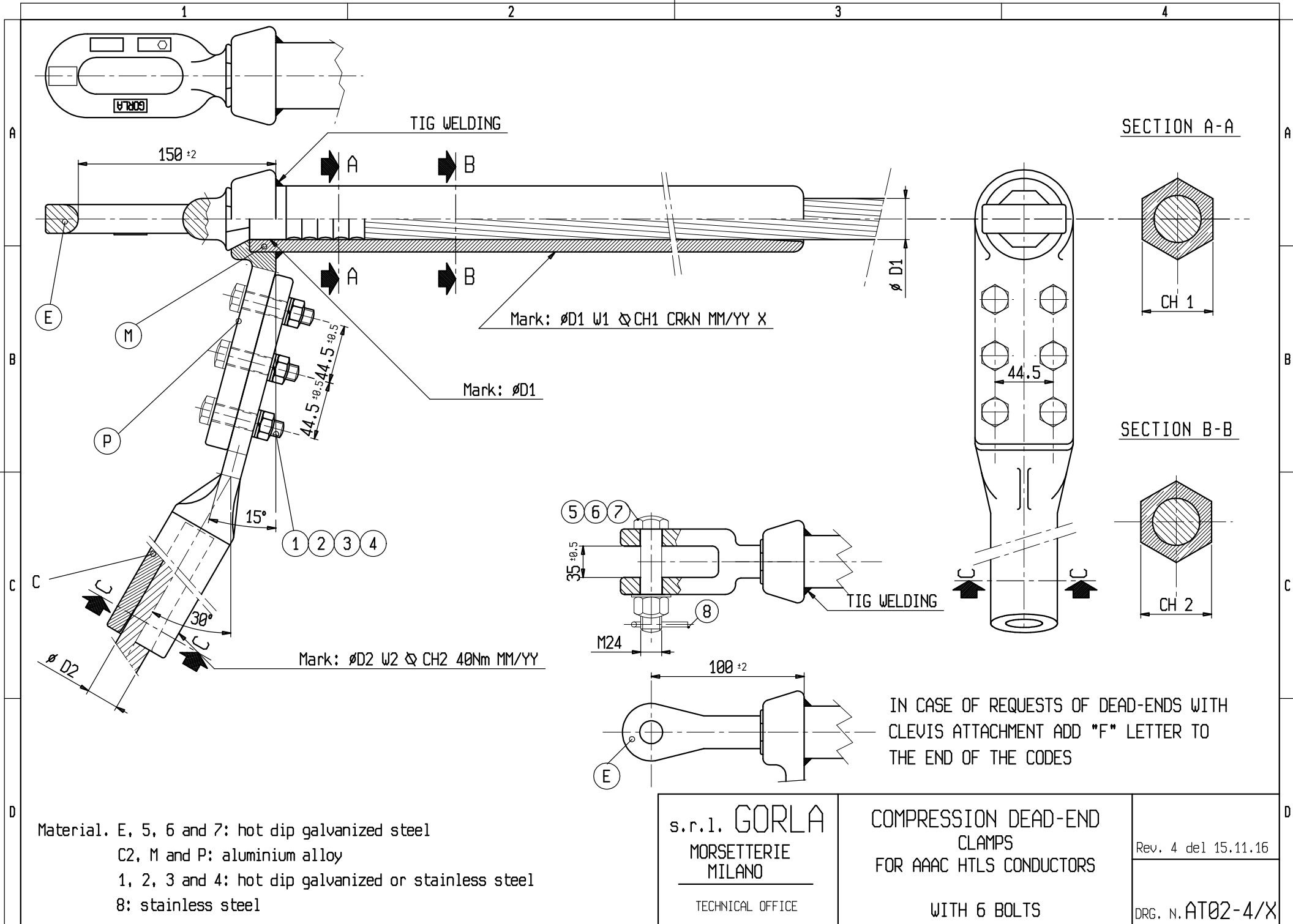
Material. E, 5, 6 and 7: hot dip galvanized steel  
 C, M e P: aluminium alloy  
 1, 2, 3 e 4: hot dip galvanized or stainless steel  
 8: stainless steel

s.r.l. GORLA  
 MORSETTERIE  
 MILANO  
 TECHNICAL OFFICE

COMPRESSION DEAD-END  
 CLAMPS  
 FOR HIGH TEMPERATURE  
 CONDUCTORS  
 WITH 6 BOLTS

Page 1/2  
 Rev.1 dated 15.11.16  
 DRG. N. AT01-A6/X





Material. E, 5, 6 and 7: hot dip galvanized steel  
 C2, M and P: aluminium alloy  
 1, 2, 3 and 4: hot dip galvanized or stainless steel  
 8: stainless steel

s.r.l. GORLA  
 MORSETTERIE  
 MILANO  
 TECHNICAL OFFICE

COMPRESSION DEAD-END  
 CLAMPS  
 FOR AAC HTLS CONDUCTORS  
 WITH 6 BOLTS

Rev. 4 del 15.11.16  
 DRG. N. AT02-4/X

